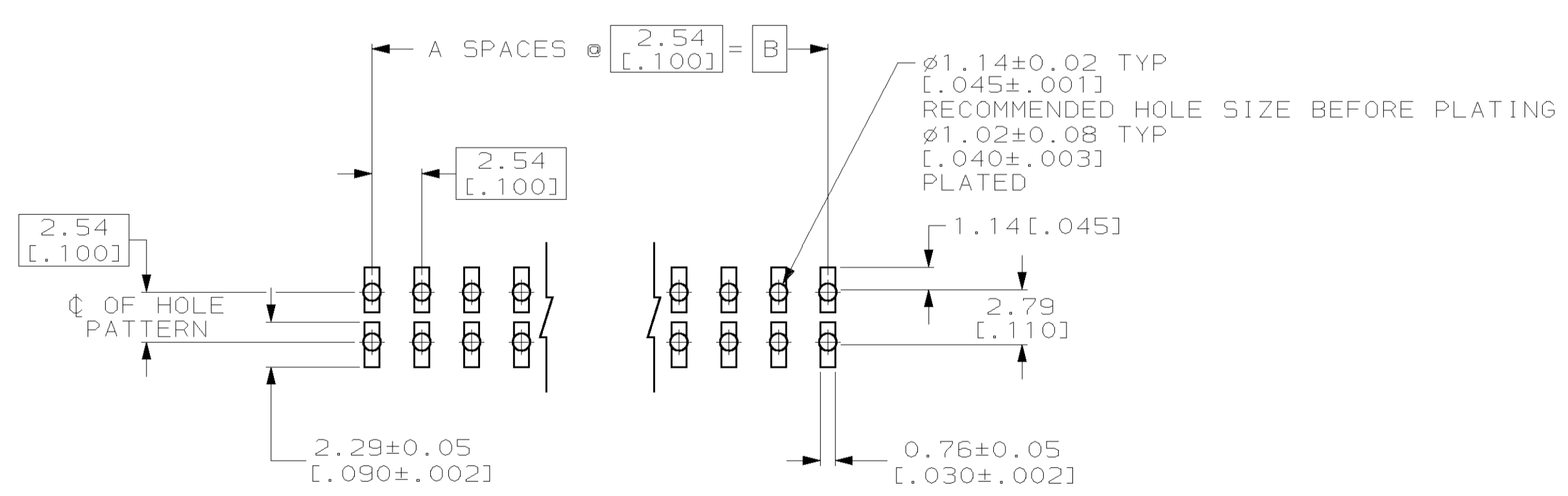
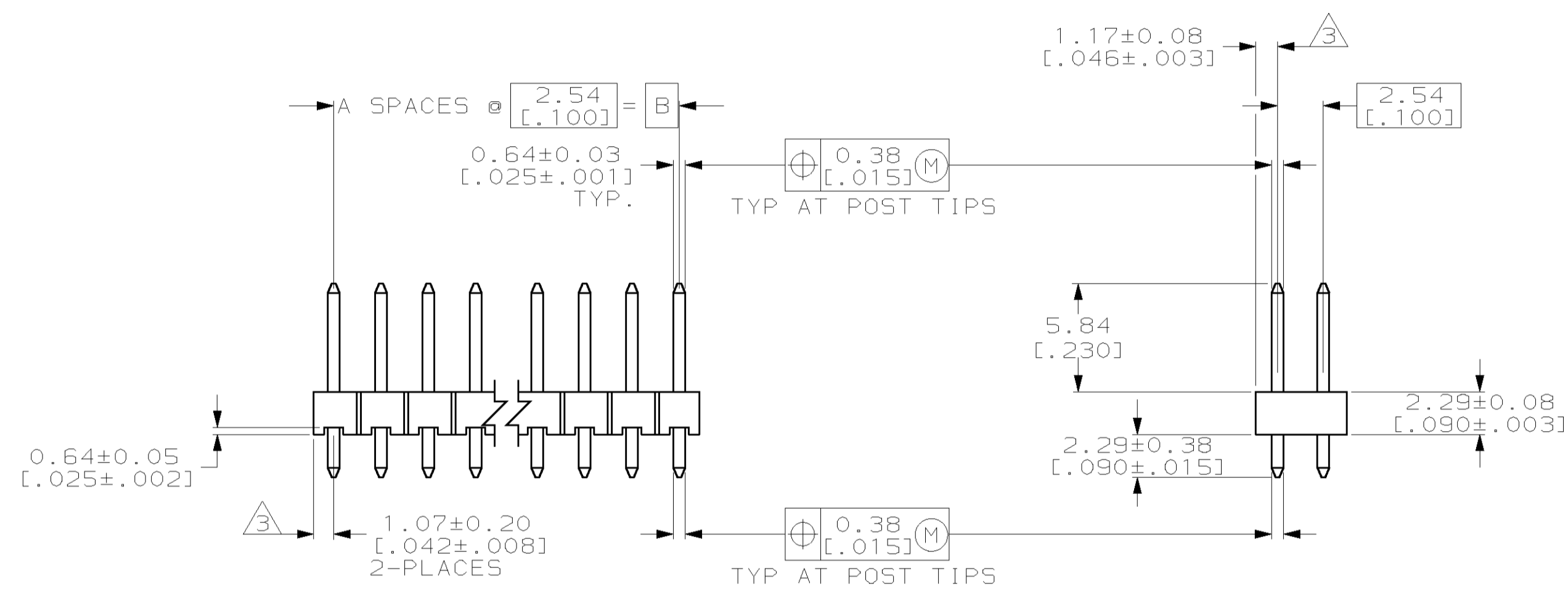
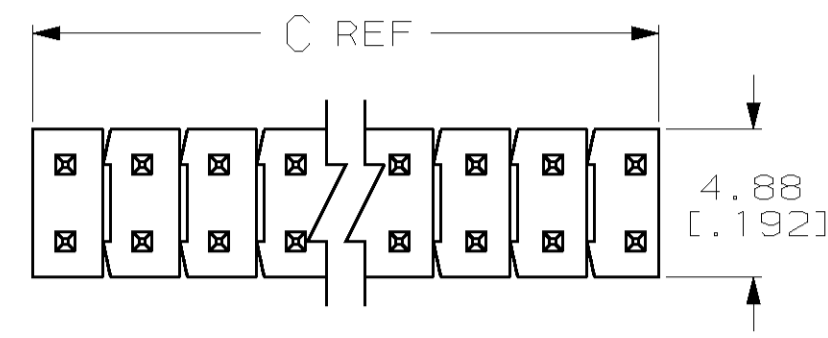


REVISONS		DATE	BY	APPV
0	DP 4633-95-22	5/8/95	TH	GD
A	EC 0010-0547-96	3/12/97	LSB	GD
B	REV PER 0430-0257-97	19AUG99	BH	JG
C	REV PER 0621-0071-98	25AUG99	BH	JG
D	REV PER 0621-0244-98	30NOV99	BH	JG
E	REV PER 063C-0170-99	31JAN00	BH	JG
F	REV PER 063C-0249-99	04FEB00	BH	JG

- ASSEMBLY MAY BE BROKEN TO THE DESIRED NUMBER OF POSITIONS
 - TRUE POSITION TOLERANCE OF THE POST TIPS APPLIES WHEN THE HEADER IS HELD FLAT AGAINST THE PRINTED CIRCUIT BOARD
- 3 THE NOTED DIMENSIONS APPLY AT THE INTERSECTION OF THE POST AND HOUSING
4 POST PLATING: 0.00254-0.00508[.000100-.000200] BRIGHT TIN-LEAD OVER 0.00127[.000050] NICKEL ENTIRE POST.
5 HOUSING: LCP, COLOR-BLACK.
6 POST: PHOSPHOR BRONZE



RECOMMENDED PC BOARD MOUNTING DIMENSIONS FOR .063 [.60] THICK PC BOARD AND .012 [.305] STENCIL THICK.

C	B	A	NO. OF POSITIONS	PART NUMBER
101.19	99.06	39	80	4-146258-0
[3.984]	[3.900]			
98.65	96.52	38	78	3-146258-9
[3.884]	[3.800]			
96.11	93.98	37	76	3-146258-8
[3.784]	[3.700]			
93.57	91.44	36	74	3-146258-7
[3.684]	[3.600]			
91.03	88.90	35	72	3-146258-6
[3.584]	[3.500]			
88.49	86.36	34	70	3-146258-5
[3.484]	[3.400]			
85.95	83.82	33	68	3-146258-4
[3.384]	[3.300]			
83.41	81.28	32	66	3-146258-3
[3.284]	[3.200]			
80.87	78.74	31	64	3-146258-2
[3.184]	[3.100]			
78.33	76.20	30	62	3-146258-1
[3.084]	[3.000]			
75.79	73.66	29	60	3-146258-0
[2.984]	[2.900]			
73.25	71.12	28	58	2-146258-9
[2.884]	[2.800]			
70.71	68.58	27	56	2-146258-8
[2.784]	[2.700]			
68.17	66.04	26	54	2-146258-7
[2.684]	[2.600]			
65.63	63.5	25	52	2-146258-6
[2.584]	[2.500]			
63.09	60.96	24	50	2-146258-5
[2.484]	[2.400]			
60.55	58.42	23	48	2-146258-4
[2.384]	[2.300]			
58.01	55.88	22	46	2-146258-3
[2.284]	[2.200]			
55.47	53.34	21	44	2-146258-2
[2.184]	[2.100]			
52.93	50.80	20	42	2-146258-1
[2.084]	[2.000]			
50.39	48.26	19	40	2-146258-0
[1.984]	[1.900]			
47.85	45.72	18	38	1-146258-9
[1.884]	[1.800]			
45.31	43.18	17	36	1-146258-8
[1.784]	[1.700]			
42.77	40.64	16	34	1-146258-7
[1.684]	[1.600]			
40.23	38.10	15	32	1-146258-6
[1.584]	[1.500]			
37.69	35.56	14	30	1-146258-5
[1.484]	[1.400]			
35.15	33.02	13	28	1-146258-4
[1.384]	[1.300]			
32.61	30.48	12	26	1-146258-3
[1.284]	[1.200]			
30.07	27.94	11	24	1-146258-2
[1.184]	[1.100]			
27.53	25.40	10	22	1-146258-1
[1.084]	[1.000]			
24.99	22.86	9	20	1-146258-0
[.984]	[.900]			
22.45	20.32	8	18	146258-9
[.884]	[.800]			
19.91	17.78	7	16	146258-8
[.784]	[.700]			
17.37	15.24	6	14	146258-7
[.684]	[.600]			
14.83	12.70	5	12	146258-6
[.584]	[.500]			
12.29	10.16	4	10	146258-5
[.484]	[.400]			
9.75	7.62	3	8	146258-4
[.384]	[.300]			
7.21	5.08	2	6	146258-3
[.284]	[.200]			
4.67	2.54	1	4	146258-2
[.184]	[.100]			
-	-	0	2	146258-1
-	-			

DIMENSIONS: mm TOLERANCES UNLESS OTHERWISE SPECIFIED: 0 PLC ± 1 PLC ±0.51 [.02] 2 PLC ±0.127 [.005] 3 PLC ±0.127 [.005] 4 PLC ±0.0127 [.0005] ANGLES ±		DIM: I. I. HOFFMAN 5/8/95 CHK: G. DUBNICZKI 6/7/95 APPV: G. DUBNICZKI 6/7/95 PRODUCT SPEC APPLICATION SPEC WEIGHT CUSTOMER DRAWING	AMP Incorporated Harrisburg, PA 17105-3608 NAME: HEADER ASSEMBLY, MOD II, BREAKAWAY, DOUBLE ROW, HIGH TEMPERATURE SIZE: A1 CAGE CODE: 00779 DRAWING NO: 146258 SCALE: 4:1 SHEET: 1 of 1 REV: F
---	--	--	--

- [Home](#)
- [Part Number Search](#)
- [Document Search](#)
- [Text Search](#)
- [Alternate Part Search](#)
- [Multiple Part Comparison](#)
- [Alphabetical Search](#)
- [Brand Search](#)
- [Industry Product Search](#)
- [Product Type Search](#)
- [Product Family Search](#)
- [Competitor Cross Reference](#)
- [Lead Free Solutions](#)
- [Help/Glossary](#)

Current Brand View	View All Tyco Electronics Brands Click to activate links to all other products
AMP	

AMPMODU AMP .100 & .150 Centerline Through Hole Headers

AMP **146258-1** Active [Active](#)

(Tyco Electronics P/N: 146258-1)

[CAD Geometry](#) | [Search for Parts](#) | P1 [Previous](#) [1](#) [2](#) [3](#) [4](#) 5 [6](#) [7](#) [8](#) [Next](#) N

Document links for this part cannot be displayed. Your browser does not support inline frames or is currently configured not to display inline frames. Inline frames are supported in both Internet Explorer 5 and Netscape 6, as well as all later versions of these browsers.

Related Part Information		
General Information	eCommerce	Related Part Information
<ul style="list-style-type: none"> General Info Sales Info Assembly Subcontractors 	<ul style="list-style-type: none"> Pricing Product Availability 	

Photos & Line Drawings - The photographs and/or line drawings are representative images of a product for viewing purposes only.

[Product Photo](#)

Searchable Features:	
Brand:	AMP
Header Type:	Breakaway
No. of Rows:	Dual
No. of Positions:	2
Mount Angle:	Vertical
PCB Retention Feature:	Without
Surface Mount Compatible:	Yes
Contact Mating Area Plating:	Tin-Lead
Board Standoff:	With
Mounting Ears:	Without
Panel Attachment:	No

Other Properties:	
Contact Shape:	Square
Post Size (mm [in]):	0.64 [.025]
Centerline, Matrix (mm [in]):	2.54 x 2.54 [.100 x .100]
Mating Post Length (mm [in]):	5.84 [0.230]
Contact Material:	Phosphor Bronze
Housing Material:	Thermoplastic
Contact Termination Area Plating:	Tin-Lead over Nickel
Gender:	Header
Housing Flammability Rating:	UL 94V-0

Mating Connector Lock:	Without
High Temperature Housing:	Yes
High Speed Serial Data Connector:	No
Termination Post Length (mm [in]):	2.29 [0.090]

Comment:

Headers without retention tails may be broken to the desired number of positions using Hand Tool 91406-1. Headers are also available in sizes 4 thru 78 positions. When ordering, add the prefix and/or suffix (dash) numbers to the base part number that corresponds to the number of positions per row. For example, the complete part number for a 16-position header with solder tails (C dimension 2.29 [.090], post plating A) would be 146261-8. The complete part number for a 40-position header with board retention tails (C dimension 3.05 [.120], post plating B) would be 2-146268-0.

[Copyright](#) and [Privacy Statement](#)

Visit [Tyco International, Ltd.](#)

[Products](#) | [Catalog](#) | [Brands](#) | [Industries](#) | [Commerce](#) | [Supplier](#) | [Customer Service](#) | [About](#) | [Home](#)

- [Home](#)
- [Part Number Search](#)
- [Document Search](#)
- [Text Search](#)
- [Alternate Part Search](#)
- [Multiple Part Comparison](#)
- [Alphabetical Search](#)
- [Brand Search](#)
- [Industry Product Search](#)
- [Product Type Search](#)
- [Product Family Search](#)
- [Competitor Cross Reference](#)
- [Lead Free Solutions](#)
- [Help/Glossary](#)

Current Brand View	View All Tyco Electronics Brands Click to activate links to all other products
AMP	

AMPMODU
.100 & .150 Centerline Through Hole Headers

AMP **146258-2** **Active** [Active](#)

(Tyco Electronics P/N: 146258-2)

[Search for Parts](#) | [Previous](#) [1](#) [2](#) [3](#) [4](#) [5](#) [6](#) [7](#) [8](#) [9](#) [Next](#)

Document links for this part cannot be displayed. Your browser does not support inline frames or is currently configured not to display inline frames. Inline frames are supported in both Internet Explorer 5 and Netscape 6, as well as all later versions of these browsers.

Related Part Information		
General Information	eCommerce	Related Part Information
General Info Sales Info Assembly Subcontractors	Pricing Product Availability	

Photos & Line Drawings - The photographs and/or line drawings are representative images of a product for viewing purposes only.

[Product Photo](#)

Searchable Features:	
Brand:	AMP
Header Type:	Breakaway
No. of Rows:	Dual
No. of Positions:	4
Mount Angle:	Vertical
PCB Retention Feature:	Without
Surface Mount Compatible:	Yes
Contact Mating Area Plating:	Tin-Lead
Board Standoff:	With
Mounting Ears:	Without
Panel Attachment:	No

Other Properties:	
Contact Shape:	Square
Post Size (mm [in]):	0.64 [.025]
Centerline, Matrix (mm [in]):	2.54 x 2.54 [.100 x .100]
Mating Post Length (mm [in]):	5.84 [0.230]
Contact Material:	Phosphor Bronze
Housing Material:	Thermoplastic
Contact Termination Area Plating:	Tin-Lead over Nickel
Gender:	Header
Housing Flammability Rating:	UL 94V-0

Mating Connector Lock:	Without
High Temperature Housing:	Yes
High Speed Serial Data Connector:	No
Termination Post Length (mm [in]):	2.29 [0.090]

[Copyright](#) and [Privacy Statement](#)

Visit [Tyco International, Ltd.](#)

[Products](#) | [Catalog](#) | [Brands](#) | [Industries](#) | [Commerce](#) | [Supplier](#) | [Customer Service](#) | [About](#) | [Home](#)