

LOW PROFILE HEADER

LPH SERIES

MATERIAL

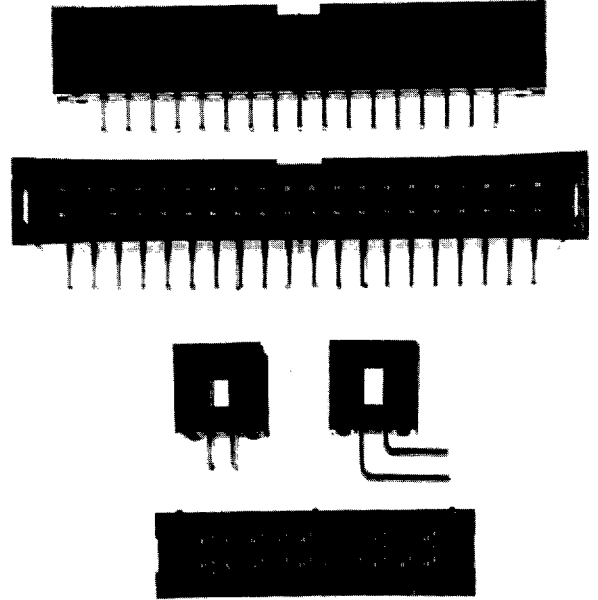
Insulator: Black PBT (UL 94V-0)
 Contact: Copper Alloy
 Contact Plating: Gold or Tin Over Nickel (see "Plating Option" below)

SPECIFICATIONS

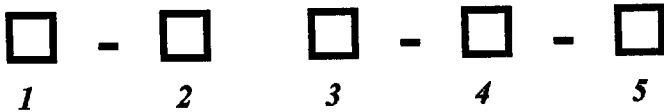
Current Rating: 3A Dielectric Withstanding
 Insulator Resistance: 5000 MΩ Min at DC 500V
 Contact Resistance: 20 mΩ Max at DC 1A
 Voltage Rating: 500V AC for one minute
 Operating Temperature: -55°C - +105°C

FEATURES

- ♦ Low Profile Header "box" body helps maintain packaging density
- ♦ Available with straight or right angle pins
- ♦ Fully shrouded body provides maximum protection for header mating pins
- ♦ **Mating Series: FSC**



HOW TO ORDER:



1. **SERIES**
 LPH = Low Profile Header

2. **POSITION**

10 = 10 Position	34 = 34 Position
12 = 12 Position	40 = 40 Position
14 = 14 Position	44 = 44 Position
16 = 16 Position	50 = 50 Position
20 = 20 Position	60 = 60 Position
26 = 26 Position	64 = 64 Position
30 = 30 Position	

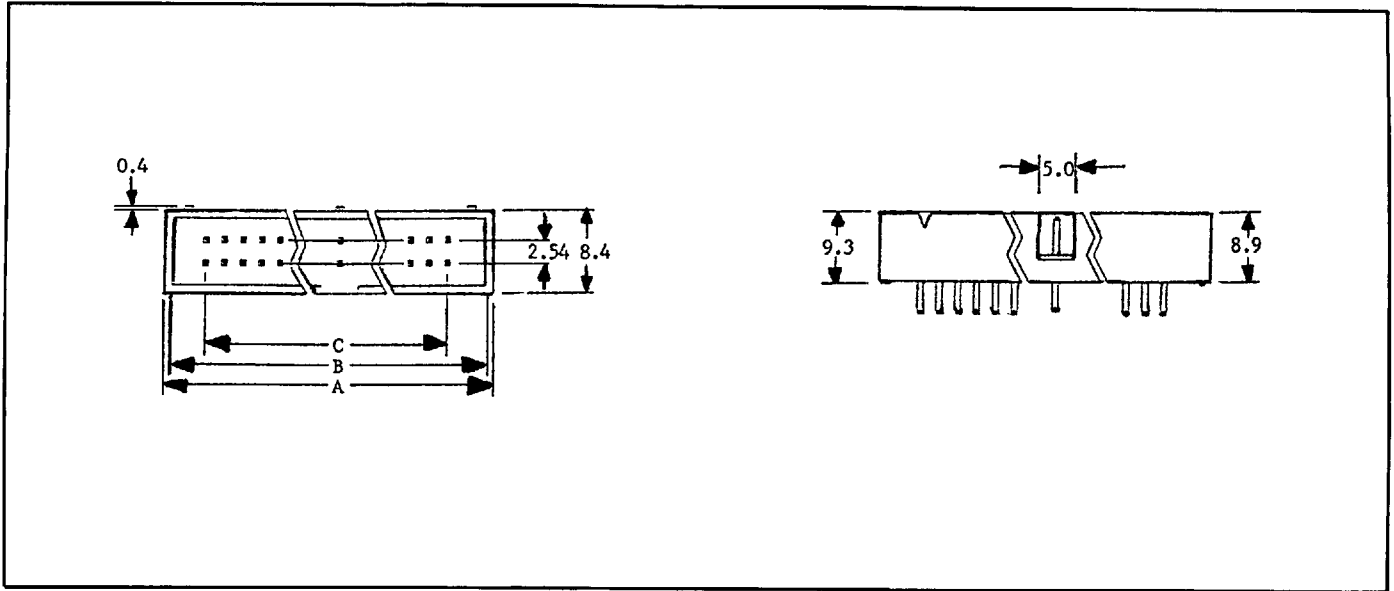
3. **STYLE OPTION**
 S = Straight
 R = Right Angle

4. **SOLDER TAIL ("D" Dimension)**
 A = Standard 3.0 ± 0.5mm (1.60mm thick PCB)
 X = Specific Length = _____ mm *

**NOTE: Please consult factory for availability of special solder lengths.*

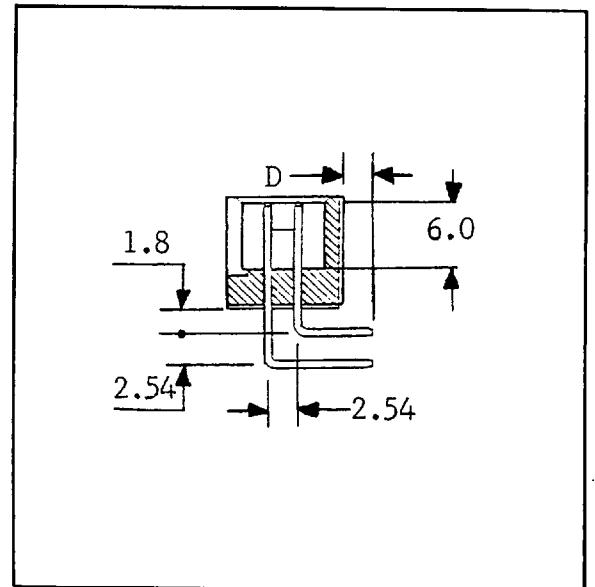
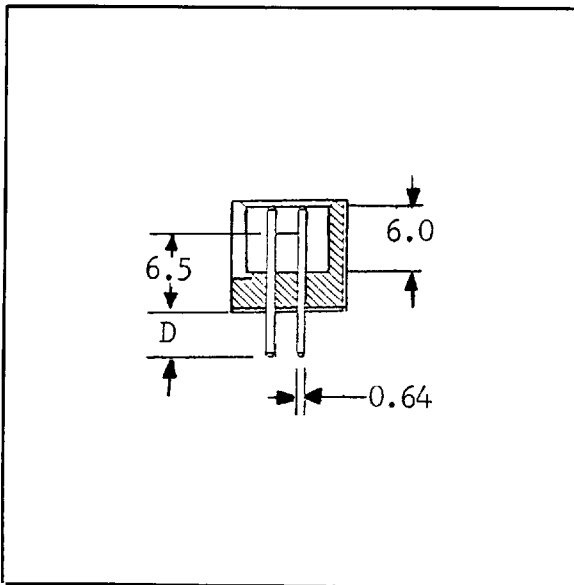
5. **PLATING OPTION**
 T = Tin
 G = Full Gold Flash
 G15 = Full Gold, 15μ"
 G30 = Full Gold, 30μ"
 SG = Selective Gold Flash
 SG15 = Selective Gold, 15μ"
 SG30 = Selective Gold, 30μ"

SPECIFICATIONS:



STRAIGHT

RIGHT ANGLE



DIMENSIONS:

POSITION	A	B	C
10	20.30	18.10	10.16
12	22.84	20.64	12.70
14	25.38	23.18	15.24
16	27.92	25.72	17.78
20	33.00	30.80	22.86
26	40.62	38.42	30.48
30	45.70	43.50	35.56

POSITION	A	B	C
34	50.78	48.58	40.64
40	58.40	56.20	48.26
44	63.48	61.28	53.34
50	71.10	68.90	60.96
60	83.80	81.60	73.66
64	88.88	86.68	78.74

ENGINEERS: For detailed Data Sheets, including *tolerances*, see pages 157 & 159 or call us!