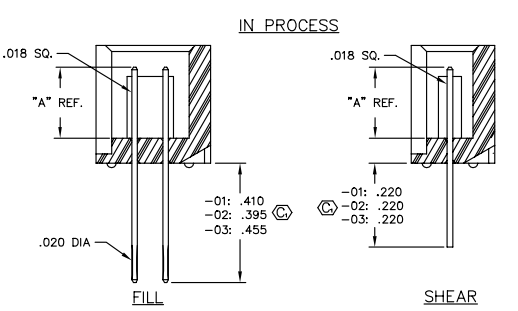
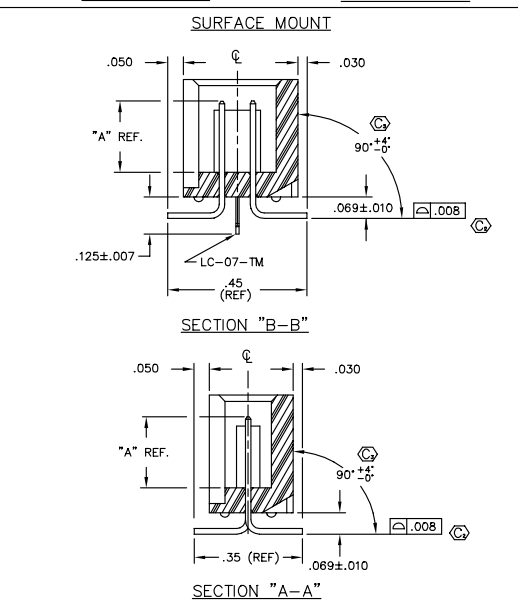
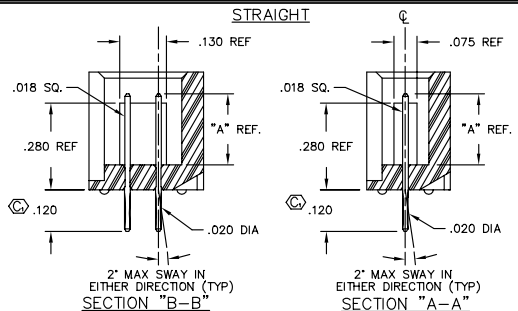
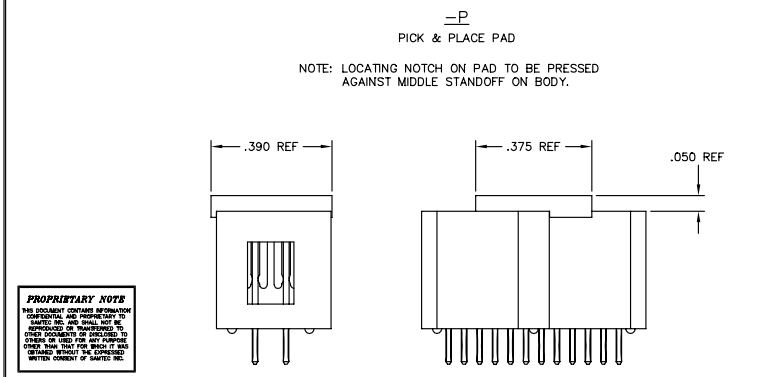
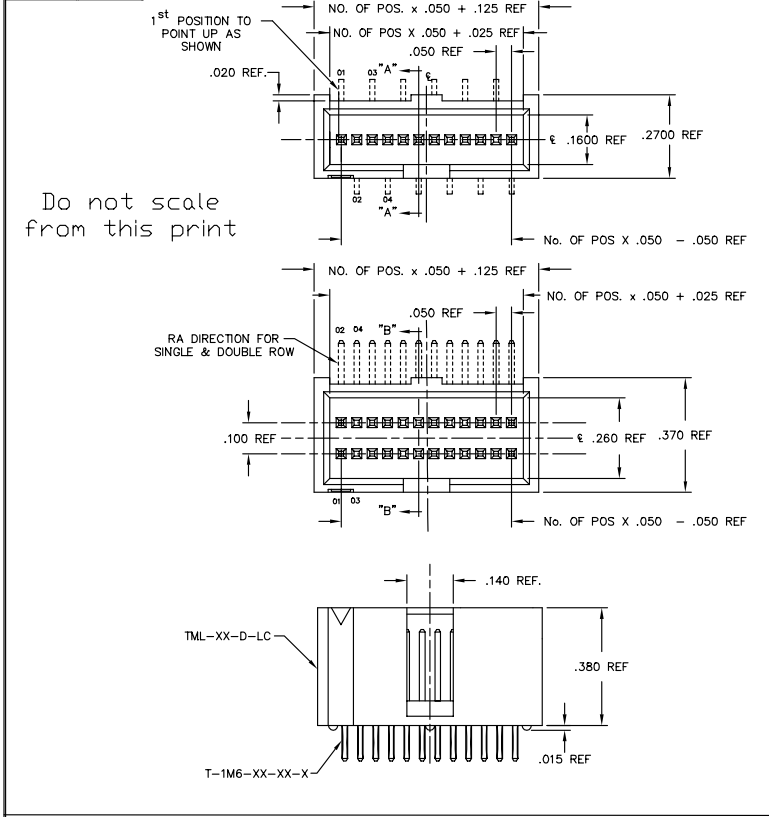


REV AD



UNLESS OTHERWISE NOTED TOLERANCES ARE:

ONE PLACE DECIMALS ±.1

TWO PLACE DECIMALS ±.01

THREE PLACE DECIMALS ±.005

FOUR PLACE DECIMALS ±.0020

ANGLES ±.2°

TITLE: TML ASSEMBLY

DWG NO: TML-1XX-XX-XX-X-XX-XXX

SHEET 1 OF 1

TML-1XX-XX-XX-X-XX-XXX

NO. OF POSITIONS  
-05 THRU -50

LEAD STYLE  
SEE TABLE 1

PLATING SPECIFICATION

-G: GOLD- (USE T-1M6-XX-G-2)

-T: TIN- (USE T-1M6-XX-T-2)

-S: SELECTIVE- (USE T-1M6-XX-S-2)

-F: FLASH SELECTIVE (USE T-1M6-XX-F-2)

-H: HEAVY GOLD- (USE T-1M6-XX-H-2)

-SM: HEAVY GOLD SELECTIVE, MATTE TIN TAIL (USE T-1M6-XX-S-2)

-TM: MATTE TIN (USE T-1M6-XX-T-2)

-FM: FLASH GOLD SELECTIVE, MATTE TIN TAIL (USE T-1M6-XX-F-2)

OPTION #2  
-XXX: INDICATES POSITION OMITTED FOR POLARIZED ASSEMBLY

-LC: LOCKING CLIP (AVAILABLE FOR DOUBLE ROW SURFACE MOUNT ONLY) (USE LC-07-TM)

-P: PICK & PLACE PAD (USE PPP-22)

OPTION #1  
BLANK: STRAIGHT

-RA: RIGHT ANGLE

-SM: SURFACE MOUNT

ROW SPECIFICATION

-D: DOUBLE (USE TML-XX-D)

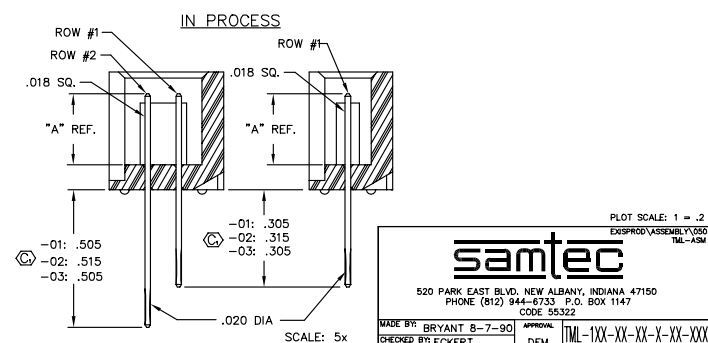
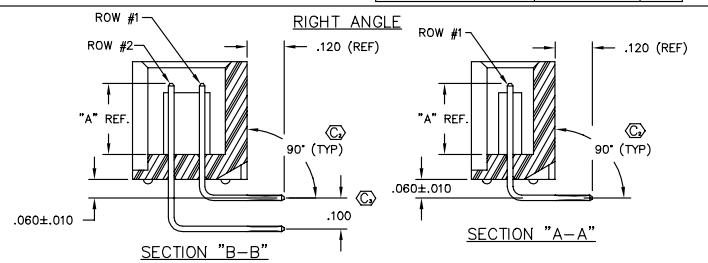
-S: SINGLE (USE TML-XX-S)

TABLE 1

LEAD STYLE	"A"	STRAIGHT	RIGHT ANGLE		SURFACE MOUNT (SINGLE & DOUBLE ROW)
			ROW #1 (SINGLE ROW)	ROW #2	
-01	.120	T-1M6-17-XX-2	T-1M6-04-XX-2	T-1M6-05-XX-2	T-1M6-03-XX-2
-02	.230	T-1M6-12-XX-2	T-1M6-13-XX-2	T-1M6-16-XX-2	T-1M6-05-XX-2
-03	.170	T-1M6-26-XX-2	T-1M6-14-XX-2	T-1M6-15-XX-2	T-1M6-05-XX-2

TABLE 2

OPTIONS	PACKAGING TUBE	PLUG
-D-SM	PT-1-24-01-08	TP-13
-D-SM-LC, -D-SM-LC-P	PT-1-24-02-08	TP-13
-D-RA	PT-TML001-RA	TP-07
-S-RA	PT-TML001-RA	TP-07



PROPRIETARY NOTE

THIS DOCUMENT CONTAINS INFORMATION OF SAMTEC INC. AND IS THE PROPERTY OF SAMTEC INC. IT IS TO BE KEPT CONFIDENTIAL AND NOT TO BE REPRODUCED OR TRANSMITTED IN ANY FORM OR BY ANY MEANS, ELECTRONIC OR MECHANICAL, INCLUDING PHOTOCOPYING, RECORDING, OR BY ANY INFORMATION STORAGE AND RETRIEVAL SYSTEM, WITHOUT THE WRITTEN CONSENT OF SAMTEC INC.

PLOT SCALE: 1 = .2

EGS/PROD/ASSEMBLY/000

THE-ASM

**samtec**

520 PARK EAST BLVD. NEW ALBANY, INDIANA 47150

PHONE (812) 944-6733 F.O. BOX 1147

CODE 55322

MAD BY: BRYANT B-7-90

APPROVAL: [Signature]

CHECKED BY: ECKERT

DEM TML-1XX-XX-XX-X-XX-XXX