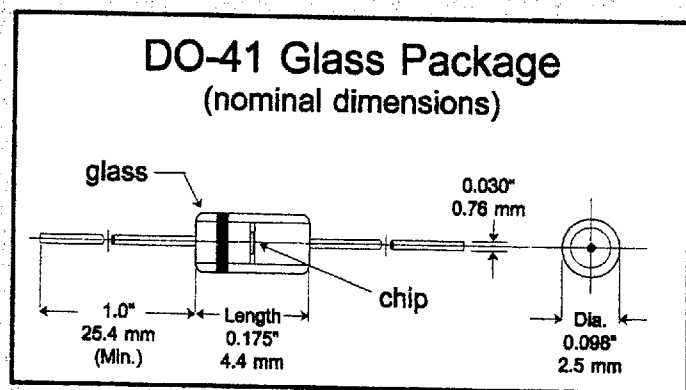


Use Advantages

- European Pro-Electron type specifications, now available from a US location.
- Ideal for use as low cost, general purpose regulators and protection devices.
- Used in hostile environments where long term reliability is important.
- Competitive replacement for plastic DO-41 zener diodes.
- Compatible with all major automatic assembly equipment.
- May be used on ceramic boards along with high temperature IR solder reflow.

Features

- Six Sigma quality
- Humidity proof glass
- Thermally matched system
- No thermal fatigue
- No applications restrictions
- BKC's Sigma Bond™ plating for problem free solderability
- LL-41 MELF (DO-213AB) SMD glass types available



Absolute Maximum Ratings	Symbol	Value	Unit
Power Dissipation at 3/8" from the body, $T_L = 25\text{ }^\circ\text{C}$	P_{tot}	1.3	Watts
Junction Temperature	T_j	200	$^\circ\text{C}$
Storage Temperature Range	T_{st}	-55 to +200	$^\circ\text{C}$

Characteristics at $T_{amb} = 25\text{ }^\circ\text{C}$	Symbol	Limit	Unit
Power Derating at 3/8" from the body, $T_L = 25\text{ }^\circ\text{C}$	P_{DR}	7.4 (Max)	mW/ $^\circ\text{C}$
Forward Voltage at $I_F = 200\text{ mA}$	V_F	1.0 (Max)	Volts

BKC can provide zener voltages above 200 volts in high quantities, consult factory for quotation.
 LL-41 MELF (DO-213AB) surface mount package available, substitute a "BZV" prefix in place of "BZX".

DETAILED SPECIFICATIONS ON REVERSE



BKC Semiconductors Inc.

6 Lake St · Lawrence, MA · 01841 · tel: (978) 681-0392 · fax: (978) 681-9135

DO-41 1.3 Watts**BZX85-C3V6
thru
BZX85-C62****Zener Diodes****BZX85 - C3V6
thru
BZX85 - C62****Detail
Specifications**

Type	Nominal Zener Voltage (V _Z)@I _{ZT} Volts	Test Current I _{ZT} mA	Maximum Zener Impedance			Maximum Reverse Leakage		Typical Temperature Coefficient @I _{ZT} %/°C	Maximum Regulator Current (I _{ZM}) mA	Maximum 10 mSec. Surge Current (I _{FSM}) mA
			(Z _{ZT})@I _{ZT} Ohms	(Z _{ZK})@I _{ZK} Ohms	(I _R)@V _R μA @ Volts	(I _R)@V _R μA @ Volts				
BZX85 -C3V6	3.4-3.8	60	15	500	1.0	20	1.0	-0.065	290	2660
BZX85-C3V9	3.7-4.1	60	15	500	1.0	10	1.0	-0.045	280	2540
BZX85-C4V3	4.0-4.6	50	13	500	1.0	3	1.0	-0.020	250	2440
BZX85-C4V7	4.4-5.0	45	13	600	1.0	3	1.5	+0.005	215	2320
BZX85-C5V1	4.8-5.4	45	10	500	1.0	1	2.0	+0.015	200	2200
BZX85-C5V6	5.2-6.0	45	7	400	1.0	1	2.0	+0.025	190	2080
BZX85-C6V2	5.8-6.6	35	4	300	1.0	1	3.0	+0.032	170	1960
BZX85-C6V8	6.4-7.2	35	3.5	200	0.5	1	4.0	+0.037	155	1800
BZX85-C7V5	7.0-7.9	35	3	200	0.5	1	4.5	+0.042	140	1620
BZX85-C8V2	7.7-8.7	25	5	200	0.5	1	5.0	+0.05	130	1520
BZX85-C9V1	8.5-9.6	25	5	200	0.5	0.5	6.5	+0.055	120	1340
BZX85-C10	9.4-10.6	25	7	200	0.5	0.5	7.0	+0.06	105	1200
BZX85-C11	10.4-11.6	20	8	300	0.5	0.5	7.7	+0.062	97	1100
BZX85-C12	11.4-12.7	20	9	350	0.5	0.5	8.4	+0.067	88	1000
BZX85-C13	12.4-14.1	20	10	400	0.5	0.5	9.1	+0.069	79	900
BZX85-C15	13.8-15.6	15	10	500	0.5	0.5	10.5	+0.072	71	760
BZX85-C16	15.3-17.1	15	15	500	0.5	0.5	11	+0.072	66	700
BZX85-C18	16.8-19.1	15	20	500	0.5	0.5	12.5	+0.075	62	600
BZX85-C20	18.8-21.2	10	24	600	0.5	0.5	14	+0.075	56	540
BZX85-C22	20.8-23.3	10	25	600	0.5	0.5	15.5	+0.077	52	500
BZX85-C24	22.8-25.6	10	25	600	0.5	0.5	17	+0.077	47	450
BZX85-C27	25.1-28.9	8	30	750	0.25	0.5	19	+0.077	41	400
BZX85-C30	28-32	8	30	1000	0.25	0.5	21	+0.077	36	380
BZX85-C33	31-35	8	35	1000	0.25	0.5	23	+0.077	33	350
BZX85-C36	34-38	8	40	1000	0.25	0.5	25	+0.077	30	320
BZX85-C39	37-41	6	50	1000	0.25	0.5	27	+0.077	28	296
BZX85-C43	40-46	6	50	1000	0.25	0.5	30	+0.077	26	270
BZX85-C47	44-50	4	90	1500	0.25	0.5	33	+0.077	23	246
BZX85-C51	48-54	4	115	1500	0.25	0.5	36	+0.077	21	226
BZX85-C56	52-60	4	120	2000	0.25	0.5	39	+0.077	19	208
BZX85-C62	58-66	4	125	2000	0.25	0.5	43	+0.077	16	186

BZX85 family products have voltage tolerances of ± 6%. for other tolerance, consult factory.

For higher voltages up to and beyond 200Volts,consult factory.

For LL-41 MELF (DO-213AB) surface mount glass package, replace "BZX" prefix with "BZV".

**BKC Semiconductors Inc.**

6 Lake St · Lawrence, MA · 01841 · tel: (978) 681-0392 · fax: (978) 681-9136