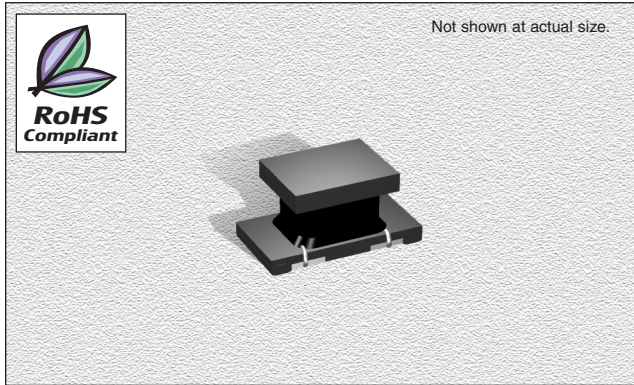


## CTLQ1206NF Series

From 0.15  $\mu\text{H}$  to 100  $\mu\text{H}$



### CHARACTERISTICS

**Description:** SMD wire-wound chip inductor.

**Applications:** Power supplies for VTR, OA equipment, LCD televisions, PC notebooks, portable communication equipment, DC/DC converters, etc.

**Operating Temperature:** -25°C to +85°C

**Inductance Tolerance:** J =  $\pm 5\%$ , K =  $\pm 10\%$ , M =  $\pm 20\%$

**Packaging:** Tape & Reel

**Testing:** Tested on a HP4285A @ specified frequency

**Pads:** Soft copper and pre-tinned

**Miscellaneous:** RoHS Compliant.

**Additional Information:** Additional electrical & physical information available upon request

**Samples available. See website for ordering information.**

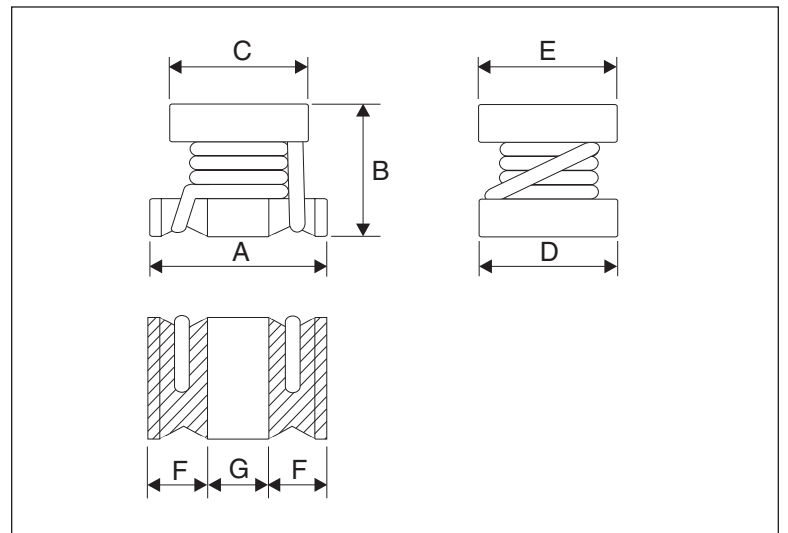
### SPECIFICATIONS

Please specify tolerance code when ordering.  
 CTLQ1206NF-R15\_ ← J =  $\pm 5\%$ , K =  $\pm 10\%$ , M =  $\pm 20\%$   
 \* = K or M only,

Part Number	Inductance ( $\mu\text{H}$ )	L Test Freq. (MHz)	Q Fact. Min.	Q Test Freq. (MHz)	DCR Max. ( $\Omega$ )	SRF Min. (MHz)	Allowable Current (mA)
CTLQ1206NF-R15_*	0.15	1.0	20	25.0	0.54	250	250
CTLQ1206NF-R22_*	0.22	1.0	20	25.0	0.60	250	240
CTLQ1206NF-R33_*	0.33	1.0	30	25.0	0.63	250	230
CTLQ1206NF-R47_*	0.47	1.0	30	25.0	1.16	200	215
CTLQ1206NF-R56_*	0.56	1.0	30	25.0	0.85	180	200
CTLQ1206NF-R68_*	0.68	1.0	30	25.0	0.93	160	190
CTLQ1206NF-R82_*	0.82	1.0	30	25.0	1.02	120	185
CTLQ1206NF-1R0_*	1.0	1.0	35	10.0	0.63	100	175
CTLQ1206NF-1R2_*	1.2	1.0	35	10.0	1.17	90	165
CTLQ1206NF-1R5_	1.5	1.0	35	10.0	1.30	75	155
CTLQ1206NF-1R8_	1.8	1.0	35	10.0	2.08	60	150
CTLQ1206NF-2R2_	2.2	1.0	35	10.0	0.91	50	140
CTLQ1206NF-2R7_	2.7	1.0	35	10.0	0.71	43	135
CTLQ1206NF-3R3_	3.3	1.0	35	8.0	1.82	38	130
CTLQ1206NF-3R9_	3.9	1.0	35	8.0	1.95	35	125
CTLQ1206NF-4R7_	4.7	1.0	35	8.0	2.21	31	120
CTLQ1206NF-5R6_	5.6	1.0	35	8.0	2.34	28	115
CTLQ1206NF-6R8_	6.8	1.0	35	8.0	2.60	25	110
CTLQ1206NF-8R2_	8.2	1.0	35	8.0	2.86	23	105
CTLQ1206NF-100_	10	1.0	35	5.0	3.25	20	100
CTLQ1206NF-120_	12	1.0	35	5.0	3.51	18	95
CTLQ1206NF-150_	15	1.0	35	5.0	3.90	16	90
CTLQ1206NF-180_	18	1.0	35	5.0	4.42	15	85
CTLQ1206NF-220_	22	1.0	40	2.5	4.03	14	85
CTLQ1206NF-270_	27	1.0	40	2.5	4.42	13	85
CTLQ1206NF-330_	33	1.0	40	2.5	4.94	12	80
CTLQ1206NF-390_	39	1.0	40	2.5	9.36	11	55
CTLQ1206NF-470_	47	1.0	40	2.5	10.4	10	55
CTLQ1206NF-560_	56	1.0	40	2.5	11.57	9.0	50
CTLQ1206NF-680_	68	1.0	40	2.5	12.87	8.5	50
CTLQ1206NF-820_	82	1.0	40	2.5	14.30	7.5	45
CTLQ1206NF-101_	100	1.0	40	2.5	15.60	7.0	45

### PHYSICAL DIMENSIONS

Size	A	B	C	D	E	F	G
						Min.	Min.
mm	3.2 $\pm$ 0.3	1.8 $\pm$ 0.2	2.3 $\pm$ 0.2	1.6 $\pm$ 0.2	1.6 $\pm$ 0.2	0.7	0.7
inches	0.13 $\pm$ 0.01	0.07 $\pm$ 0.008	0.09 $\pm$ 0.008	0.06 $\pm$ 0.008	0.06 $\pm$ 0.008	0.03	0.03



03.09.07