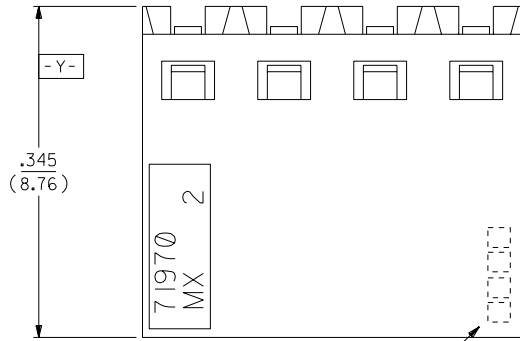
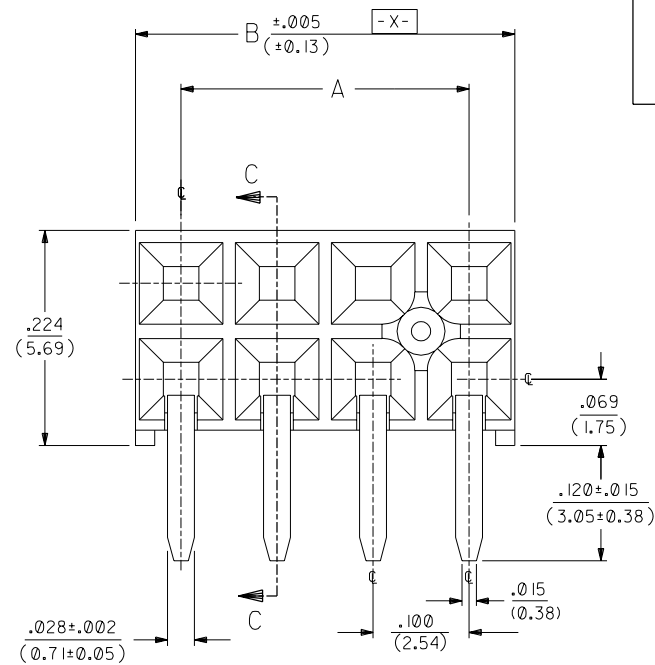


NOTE FOR LEAD FREE CONVERSION:

THE PRIMARY SHIPPING CARTON WILL BE LABELED "COMPLIANT TO ROHS DIRECTIVE 2002/95/EC AND ELV ANNEX II OF DIRECTIVE 2000/53/EC". CARTONS WITHOUT THIS LABEL MAY CONTAIN PRODUCT WITH LEAD.

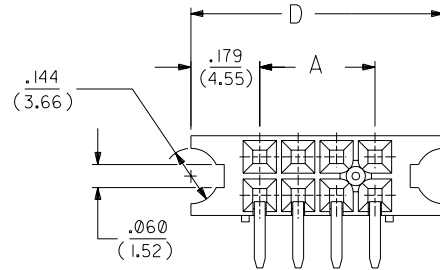
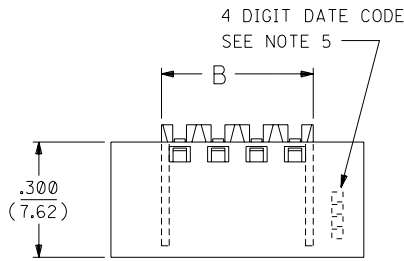


4 DIGIT DATE CODE
SEE NOTE 5



⊕ ∅ .015 ⊖ TAIL TO TAIL
⊕ ∅ .020 ⊖ X ⊖ Y ⊖ TAIL TO INSULATOR

OPTION "A" ASSEMBLY
STANDARD HOUSING

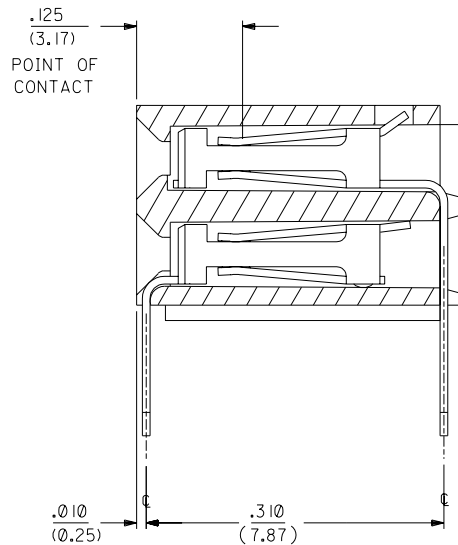


OPTION "B" ASSEMBLY
STD. HOUSING W/MOUNTING EARS
SCALE 4:1

REFER TO OPT. A FOR ALL OTHER INFORMATION

OPTION "J" ASSEMBLY

OPTION "J" IS THE SAME AS OPTION "B" EXCEPT
DATE CODE IS NOT STAMPED ON HOUSING.



SECTION C-C

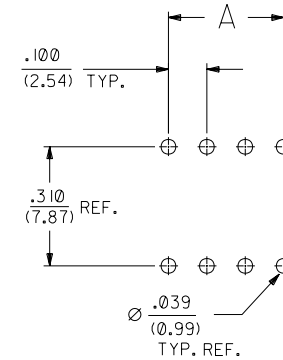
71973

NOTES:

- 1.) MATERIAL -
INSULATOR - LCP, UL 94V-0, COLOR BLACK
CONTACTS - PHOSPHOR BRONZE
- 2.) SEE SHT. 5 & 6 FOR CHART DIMENSIONS AND EDP NO.'S
- 3.) RECOMMENDED MATING PIN LENGTH:
LOWER ROW - .200" MIN., .285" MAX.
UPPER ROW - .200" MIN.
- 4.) REFER TO PRODUCT SPECIFICATION PS-71973-9999 FOR PERFORMANCE DATA
- 5.) MANUFACTURED DATE CODE - YEAR, WEEK.
- 6.) PACKAGING: FOR THIS PRODUCT IN TUBES SEE SHT. 6 & 7
FOR THIS PRODUCT IN TRAYS SEE SHT. 8 & 9

FINISHES

- 15 GOLD .000015 MINIMUM GOLD PLATE IN SELECT AREA OVER .000050 MINIMUM NICKEL UNDERPLATE OVER-ALL WITH .000075 MINIMUM TIN PLATE IN SELECT AREA.
- 30 GOLD .000030 MINIMUM GOLD PLATE IN SELECT AREA OVER .000050 MINIMUM NICKEL UNDERPLATE OVER-ALL WITH .000075 MINIMUM TIN PLATE IN SELECT AREA.
- 50 GOLD .000050 MINIMUM GOLD PLATE IN SELECT AREA OVER .000050 MINIMUM NICKEL UNDERPLATE OVER-ALL WITH .000100 MINIMUM TIN PLATE IN SELECT AREA.



RECOMMENDED P.C.B.
LAYOUT

SCALE 4:1

22	H		
21	H	H	LEAD FREE CONV ECN UCP2004-2133 RKADAMS 04/04/27
20	H	G	ADD: -9999 TO PS ECR# U2000-0973 JG12OWSKI 00/05/24
19	H		CHG PLT OPT "J" ECR# U7-0498 MCFARLAN 96/10/30
18	H	F2	
17	H		
16	H		
15	H	F1	ADDED OPT. "J" PER U51300 95/06/29 RB
14	H		
13	H	F	ADDED OPT. "I" PER ECR # U50914 03/28/95 CAC
12	H		
11	H	E	ADD RETENT DIMPLE PER U30344 04/02/93 MURPHY
10	H		
9	H	D	DEL GPAX ADD TRAYS PER ECR U20889 10/29/92 MURPHY
8	H		
7	H	C	REV. PKG. REL EDP5 PER ECR U2 0374 03/05/92 MURPHY
6	H		
5	H	B1	REL. -1204/1265 PER ECR U2 0282 02/20/92 MURPHY
4	H		
3	H	B	REDIM. TRUE POS. PER ECR U12321 01/13/92 MURPHY
2	H		
1	H	A	RENAMED DWG. NO. PER ECR U11813 10-21-91 MURPHY

DIMENSIONS SHOWN (METRIC) INCH UNLESS OTHERWISE SPECIFIED TOLERANCES: ANGULAR ± 1/2°		▽ = 0 ▽ = 0	REVISE ONLY ON CAD SYSTEM
3 PLACE ± --- --- 2 PLACE ± .01 ± --- 1 PLACE --- ± 0.25		TITLE RECTANGLE-RIGHT ANGLE .120" PC TAIL, WITHOUT LOWER ROW PINSTOP - .100" GRID	
DRAFT WHERE APPLICABLE MUST REMAIN WITHIN DIMENSIONS		MOLEX INCORPORATED LITSE, ILL. 60532 U.S.A. DATE 1 OF 22 10/21/91	
DRWG. NO. SHTS 6-9	DRWG. NO. SDA-71973-****	PART NO.	
DRWG. BY DJB	CHK'D BY DJB	FILE NAME	THIS DRAWING CONTAINS INFORMATION THAT IS PROPRIETARY TO MOLEX INC. AND SHOULD NOT BE USED WITHOUT WRITTEN PERMISSION
APP'D BY MJM	SCALE 10:1	7197351	TC

NO. OF CKTS	OPTION A ASSEMBLY PACKAGED IN TUBES PER PK-70873-0138 (SEE SHEET I FOR FINISH SPECIFICATIONS)					DIMENSION		
	PER ROW	TOTAL	15 GOLD	30 GOLD	50 GOLD	A	B	
4	8		71973-0204	71973-0304	71973-0404	.300 (7.62)	.395 (10.03)	
5	10		71973-0205	71973-0305	71973-0405	.400 (10.16)	.495 (12.57)	
6	12		71973-0206	71973-0306	71973-0406	.500 (12.70)	.595 (15.11)	
7	14		71973-0207	71973-0307	71973-0407	.600 (15.24)	.695 (17.65)	
8	16		71973-0208	71973-0308	71973-0408	.700 (17.78)	.795 (20.19)	
9	18		71973-0209	71973-0309	71973-0409	.800 (20.32)	.895 (22.73)	
10	20		71973-0210	71973-0310	71973-0410	.900 (22.86)	.995 (25.27)	
11	22		71973-0211	71973-0311	71973-0411	1.000 (25.40)	1.095 (27.81)	
12	24		71973-0212	71973-0312	71973-0412	1.100 (27.94)	1.195 (30.35)	
13	26		71973-0213	71973-0313	71973-0413	1.200 (30.48)	1.295 (32.89)	
14	28		71973-0214	71973-0314	71973-0414	1.300 (33.02)	1.395 (35.43)	
15	30		71973-0215	71973-0315	71973-0415	1.400 (35.56)	1.495 (37.97)	
16	32		71973-0216	71973-0316	71973-0416	1.500 (38.10)	1.595 (40.51)	
17	34		71973-0217	71973-0317	71973-0417	1.600 (40.64)	1.695 (43.05)	
18	36		71973-0218	71973-0318	71973-0418	1.700 (43.18)	1.795 (45.59)	
19	38		71973-0219	71973-0319	71973-0419	1.800 (45.72)	1.895 (48.13)	
20	40		71973-0220	71973-0320	71973-0420	1.900 (48.26)	1.995 (50.67)	
21	42		71973-0221	71973-0321	71973-0421	2.000 (50.80)	2.095 (53.21)	
22	44		71973-0222	71973-0322	71973-0422	2.100 (53.34)	2.195 (55.75)	
23	46		71973-0223	71973-0323	71973-0423	2.200 (55.88)	2.295 (58.29)	
24	48		71973-0224	71973-0324	71973-0424	2.300 (58.42)	2.395 (60.83)	
25	50		71973-0225	71973-0325	71973-0425	2.400 (60.96)	2.495 (63.37)	
26	52		71973-0226	71973-0326	71973-0426	2.500 (63.50)	2.595 (65.91)	
27	54		71973-0227	71973-0327	71973-0427	2.600 (66.04)	2.695 (68.45)	
28	56		71973-0228	71973-0328	71973-0428	2.700 (68.58)	2.795 (70.99)	
29	58		71973-0229	71973-0329	71973-0429	2.800 (71.12)	2.895 (73.53)	
30	60		71973-0230	71973-0330	71973-0430	2.900 (73.66)	2.995 (76.07)	
31	62		71973-0231	71973-0331	71973-0431	3.000 (76.20)	3.095 (78.61)	
32	64		71973-0232	71973-0332	71973-0432	3.100 (78.74)	3.195 (81.15)	
33	66		71973-0233	71973-0333	71973-0433	3.200 (81.28)	3.295 (83.69)	

X INDICATES TOOLING IS NOT AVAILABLE

NO. OF CKTS	OPTION A ASSEMBLY PACKAGED IN TUBES PER PK-70873-0138 (SEE SHEET I FOR FINISH SPECIFICATIONS)					DIMENSION		
	PER ROW	TOTAL	15 GOLD	30 GOLD	50 GOLD	A	B	
34	68		71973-0234	71973-0334	71973-0434	3.300 (83.82)	3.395 (86.23)	
35	70		71973-0235	71973-0335	71973-0435	3.400 (86.36)	3.495 (88.77)	
36	72		71973-0236	71973-0336	71973-0436	3.500 (88.90)	3.595 (91.31)	
37	74		71973-0237	71973-0337	71973-0437	3.600 (91.44)	3.695 (93.85)	
38	76		71973-0238	71973-0338	71973-0438	3.700 (93.98)	3.795 (96.39)	
39	78		71973-0239	71973-0339	71973-0439	3.800 (96.52)	3.895 (98.93)	
40	80		71973-0240	71973-0340	71973-0440	3.900 (99.06)	3.995 (101.47)	
41	82		71973-0241	71973-0341	71973-0441	4.000 (101.60)	4.095 (104.01)	
42	84		71973-0242	71973-0342	71973-0442	4.100 (104.14)	4.195 (106.55)	
43	86		71973-0243	71973-0343	71973-0443	4.200 (106.68)	4.295 (109.09)	
44	88		71973-0244	71973-0344	71973-0444	4.300 (109.22)	4.395 (111.63)	
45	90		71973-0245	71973-0345	71973-0445	4.400 (111.76)	4.495 (114.17)	
46	92		71973-0246	71973-0346	71973-0446	4.500 (114.30)	4.595 (116.71)	
47	94		71973-0247	71973-0347	71973-0447	4.600 (116.84)	4.695 (119.25)	
48	96		71973-0248	71973-0348	71973-0448	4.700 (119.38)	4.795 (121.79)	
49	98		71973-0249	71973-0349	71973-0449	4.800 (121.92)	4.895 (124.46)	
50	100		71973-0250	71973-0350	71973-0450	4.900 (124.46)	4.995 (126.87)	
51	102		71973-0251	71973-0351	71973-0451	5.000 (127.00)	5.095 (129.41)	
52	104		71973-0252	71973-0352	71973-0452	5.100 (129.54)	5.195 (131.95)	
53	106		71973-0253	71973-0353	71973-0453	5.200 (132.08)	5.295 (134.49)	
54	108		71973-0254	71973-0354	71973-0454	5.300 (134.62)	5.395 (137.03)	
55	110		71973-0255	71973-0355	71973-0455	5.400 (137.16)	5.495 (139.57)	
56	112		71973-0256	71973-0356	71973-0456	5.500 (139.70)	5.595 (142.11)	
57	114		71973-0257	71973-0357	71973-0457	5.600 (142.24)	5.695 (144.65)	
58	116		71973-0258	71973-0358	71973-0458	5.700 (144.78)	5.795 (147.19)	
59	118		71973-0259	71973-0359	71973-0459	5.800 (147.32)	5.895 (149.73)	
60	120		71973-0260	71973-0360	71973-0460	5.900 (149.86)	5.995 (152.27)	
61	122		71973-0261	71973-0361	71973-0461	6.000 (152.40)	6.095 (154.81)	
62	124		71973-0262	71973-0362	71973-0462	6.100 (154.94)	6.195 (157.35)	
63	126		71973-0263	71973-0363	71973-0463	6.200 (157.48)	6.295 (159.89)	
64	128		71973-0264	71973-0364	71973-0464	6.300 (160.02)	6.395 (162.43)	
65	130		71973-0265	71973-0365	71973-0465	6.400 (162.56)	6.495 (164.97)	

DIMENSIONS SHOWN (METRIC) INCH
 UNLESS OTHERWISE SPECIFIED
 TOLERANCES: ANGULAR ± 1/2°
 5 PLACE ± --- ---
 2 PLACE ± --- ± ---
 1 PLACE --- ± ---
 DRAFT WHERE APPLICABLE MUST
 REMAIN WITHIN DIMENSIONS
 DRG. NO. DUB
 CHK'D. BY
 FILE NAME S7197356
 APP'D. BY
 SCALE ---:--
 REVISIONS LTR. REVISIONS LTR.

REVISION ONLY ON CAD SYSTEM
 TITLE RECEPTACLE-RIGHT ANGLE
 .120 PC TAIL, NO PINSTOP
 .100/(2.54) GRID
 MOLEX INCORPORATED SHEET NO. 6 DATE 10/21/91
 L15LEJLL U.S.A. 60532
 PART NO. SEE CHART DRWG. NO. SDA-71973-****
 THIS DRAWING CONTAINS INFORMATION THAT IS PROPRIETARY TO MOLEX INC. AND SHOULD NOT BE USED WITHOUT WRITTEN PERMISSION.

NO. OF CKTS	OPTION A ASSEMBLY PACKAGED IN TRAYS PER PK-70873-0239 (SEE SHEET I FOR FINISH SPECIFICATIONS)					DIMENSION		
	PER ROW	TOTAL	15 GOLD	30 GOLD	50 GOLD	A	B	
4	8		71973-6604	71973-6704	71973-6804	.300 (7.62)	.395 (10.03)	
5	10		71973-6605	71973-6705	71973-6805	.400 (10.16)	.495 (12.57)	
6	12		71973-6606	71973-6706	71973-6806	.500 (12.70)	.595 (15.11)	
7	14		71973-6607	71973-6707	71973-6807	.600 (15.24)	.695 (17.65)	
8	16		71973-6608	71973-6708	71973-6808	.700 (17.78)	.795 (20.19)	
9	18		71973-6609	71973-6709	71973-6809	.800 (20.32)	.895 (22.73)	
10	20		71973-6610	71973-6710	71973-6810	.900 (22.86)	.995 (25.27)	
11	22		71973-6611	71973-6711	71973-6811	1.000 (25.40)	1.095 (27.81)	
12	24		71973-6612	71973-6712	71973-6812	1.100 (27.94)	1.195 (30.35)	
13	26		71973-6613	71973-6713	71973-6813	1.200 (30.48)	1.295 (32.89)	
14	28		71973-6614	71973-6714	71973-6814	1.300 (33.02)	1.395 (35.43)	
15	30		71973-6615	71973-6715	71973-6815	1.400 (35.56)	1.495 (37.97)	
16	32		71973-6616	71973-6716	71973-6816	1.500 (38.10)	1.595 (40.51)	
17	34		71973-6617	71973-6717	71973-6817	1.600 (40.64)	1.695 (43.05)	
18	36		71973-6618	71973-6718	71973-6818	1.700 (43.18)	1.795 (45.59)	
19	38		71973-6619	71973-6719	71973-6819	1.800 (45.72)	1.895 (48.13)	
20	40		71973-6620	71973-6720	71973-6820	1.900 (48.26)	1.995 (50.67)	
21	42		71973-6621	71973-6721	71973-6821	2.000 (50.80)	2.095 (53.21)	
22	44		71973-6622	71973-6722	71973-6822	2.100 (53.34)	2.195 (55.75)	
23	46		71973-6623	71973-6723	71973-6823	2.200 (55.88)	2.295 (58.29)	
24	48		71973-6624	71973-6724	71973-6824	2.300 (58.42)	2.395 (60.83)	
25	50		71973-6625	71973-6725	71973-6825	2.400 (60.96)	2.495 (63.37)	
26	52		71973-6626	71973-6726	71973-6826	2.500 (63.50)	2.595 (65.91)	
27	54		71973-6627	71973-6727	71973-6827	2.600 (66.04)	2.695 (68.45)	
28	56		71973-6628	71973-6728	71973-6828	2.700 (68.58)	2.795 (70.99)	
29	58		71973-6629	71973-6729	71973-6829	2.800 (71.12)	2.895 (73.53)	
30	60		71973-6630	71973-6730	71973-6830	2.900 (73.66)	2.995 (76.07)	
31	62		71973-6631	71973-6731	71973-6831	3.000 (76.20)	3.095 (78.61)	
32	64		71973-6632	71973-6732	71973-6832	3.100 (78.74)	3.195 (81.15)	
33	66		71973-6633	71973-6733	71973-6833	3.200 (81.28)	3.295 (83.69)	

X INDICATES TOOLING IS NOT AVAILABLE

NO. OF CKTS	OPTION A ASSEMBLY PACKAGED IN TRAYS PER PK-70873-0239 (SEE SHEET I FOR FINISH SPECIFICATIONS)					DIMENSION		
	PER ROW	TOTAL	15 GOLD	30 GOLD	50 GOLD	A	B	
34	68		71973-6634	71973-6734	71973-6834	3.300 (83.82)	3.395 (86.23)	
35	70		71973-6635	71973-6735	71973-6835	3.400 (86.36)	3.495 (88.77)	
36	72		71973-6636	71973-6736	71973-6836	3.500 (88.90)	3.595 (91.31)	
37	74		71973-6637	71973-6737	71973-6837	3.600 (91.44)	3.695 (93.85)	
38	76		71973-6638	71973-6738	71973-6838	3.700 (93.98)	3.795 (96.39)	
39	78		71973-6639	71973-6739	71973-6839	3.800 (96.52)	3.895 (98.93)	
40	80		71973-6640	71973-6740	71973-6840	3.900 (99.06)	3.995 (101.47)	
41	82		71973-6641	71973-6741	71973-6841	4.000 (101.60)	4.095 (104.01)	
42	84		71973-6642	71973-6742	71973-6842	4.100 (104.14)	4.195 (106.55)	
43	86		71973-6643	71973-6743	71973-6843	4.200 (106.68)	4.295 (109.09)	
44	88		71973-6644	71973-6744	71973-6844	4.300 (109.22)	4.395 (111.63)	
45	90		71973-6645	71973-6745	71973-6845	4.400 (111.76)	4.495 (114.17)	
46	92		71973-6646	71973-6746	71973-6846	4.500 (114.30)	4.595 (116.71)	
47	94		71973-6647	71973-6747	71973-6847	4.600 (116.84)	4.695 (119.25)	
48	96		71973-6648	71973-6748	71973-6848	4.700 (119.38)	4.795 (121.79)	
49	98		71973-6649	71973-6749	71973-6849	4.800 (121.92)	4.895 (124.46)	
50	100		71973-6650	71973-6750	71973-6850	4.900 (124.46)	4.995 (126.87)	
51	102		71973-6651	71973-6751	71973-6851	5.000 (127.00)	5.095 (129.41)	
52	104		71973-6652	71973-6752	71973-6852	5.100 (129.54)	5.195 (131.95)	
53	106		71973-6653	71973-6753	71973-6853	5.200 (132.08)	5.295 (134.49)	
54	108		71973-6654	71973-6754	71973-6854	5.300 (134.62)	5.395 (137.03)	
55	110		71973-6655	71973-6755	71973-6855	5.400 (137.16)	5.495 (139.57)	
56	112		71973-6656	71973-6756	71973-6856	5.500 (139.70)	5.595 (142.11)	
57	114		71973-6657	71973-6757	71973-6857	5.600 (142.24)	5.695 (144.65)	
58	116		71973-6658	71973-6758	71973-6858	5.700 (144.78)	5.795 (147.19)	
59	118		71973-6659	71973-6759	71973-6859	5.800 (147.32)	5.895 (149.73)	
60	120		71973-6660	71973-6760	71973-6860	5.900 (149.86)	5.995 (152.27)	
61	122		71973-6661	71973-6761	71973-6861	6.000 (152.40)	6.095 (154.81)	
62	124		71973-6662	71973-6762	71973-6862	6.100 (154.94)	6.195 (157.35)	
63	126		71973-6663	71973-6763	71973-6863	6.200 (157.48)	6.295 (159.89)	
64	128		71973-6664	71973-6764	71973-6864	6.300 (160.02)	6.395 (162.43)	
65	130		71973-6665	71973-6765	71973-6865	6.400 (162.56)	6.495 (164.97)	

UNLESS OTHERWISE SPECIFIED TOLERANCES: ANGULAR ± 1/2°

5 PLACE ±	---	---
2 PLACE ±	---	±
1 PLACE	---	±

DRAFT WHERE APPLICABLE MUST REMAIN WITHIN DIMENSIONS

DRG. BY: DJB CHK'D. BY: DJB
 APP'D. BY: MJM SCALE: ---:--

REVISIONS LTR. REVISIONS LTR.

SEE SHEET I
 SEE SHEET I

RECEPTACLE-RIGHT ANGLE
 .120 PC TAIL, NO PINSTOP
 .100/(2.54) GRID

MOLEX INCORPORATED SHEET NO. 8 DATE 10/21/91
 LISLE, ILL. U.S.A.

SEE CHART SDA-71973-****

THIS DRAWING CONTAINS INFORMATION THAT IS PROPRIETARY TO MOLEX INC. AND SHOULD NOT BE USED WITHOUT WRITTEN PERMISSION.