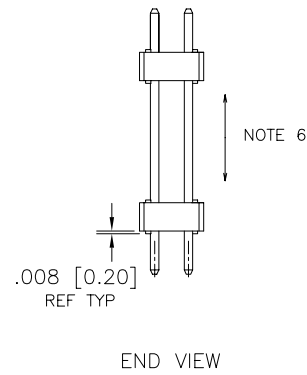
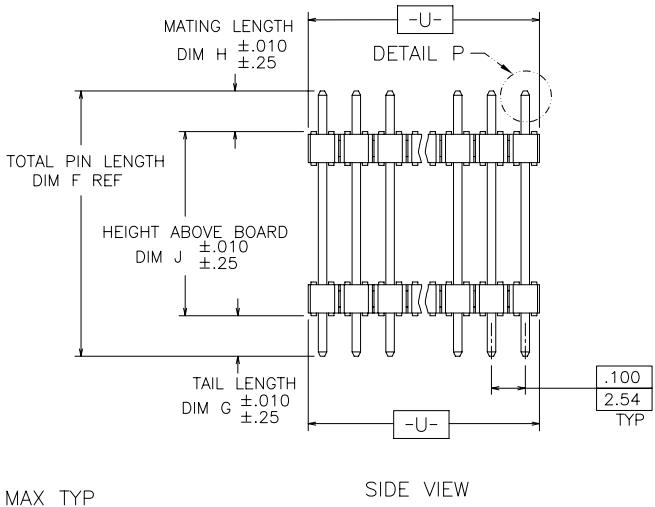
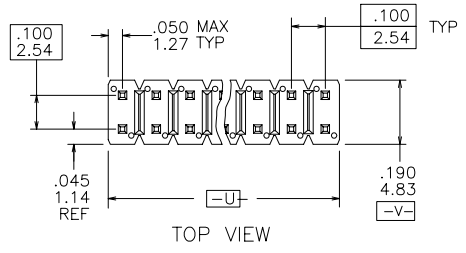
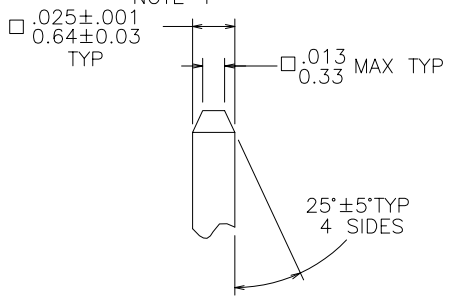


PRODUCT NUMBER
XXXXX-YYY HLF

- LEAD FREE OPTION
SEE NOTE 1,7
- HIGH TEMPERATURE PLASTIC
SEE NOTE 1
- NO OF POSITIONS
SEE NOTE 1
- PIN PLATING
SEE SHEET 2
- BASE PART NO.



⊕ ⌀.020/0.51 (M) U (M) V (S)



DETAIL P
TYP BOTH ENDS

mat'l. code SEE NOTES 2 & 3		surface ISO 1302 ✓		tolerance ISO 406 ISO 1101		projection ⊕		product family BERGSTIK	
ltr		ecn no		dr		date		tolerances unless otherwise specified	
CM	v03-0970	DAI	08/29/03	angles	linear	.xx ±.01/.3	INCH/MM		title
CN	v04-0104	HTB	02/02/04			.xxx ±.005/.13	scale 1:1		BERGSTIK® II HDR D/R
CP	M04-0234	MHT	12/29/04	σ±2'		.xxxx ±.0020/.051			.100 CTR. R.R. TRACK
CR	M05-0072	MHT	5/05/05	dr	T. BREWBAKER	1/31/95	FCI		dwg no
CS	N06-0165	MHT	7/04/06	enr	T. HANNA	1/31/95	sheet 1 of 7 size		78563
CT	M06-0269	AEA	7/14/06	chr	T. HANNA	1/31/95	A3		
CU	M06-0307	MHT	8/08/06	appd	T. HANNA	1/31/95	type		Product Customer Drawing
sheet	revision	CU	CU	CU	CU	CU	CU		
index	sheet	1	2	3	4	5	6	7	

PIN PLATING CODES:	
XXXX-1YY	30u"/0.76u MIN (SEE NOTE 8) OVER 50u"/1.27u MIN Ni
XXXX-2YY	15u"/0.38u MIN (SEE NOTE 8) OVER 50u"/1.27u MIN Ni
XXXX-3YY	50u"/1.27u MIN Au OVER 50u"/1.27u MIN Ni
XXXX-4YY	TIN LEAD OPTION 120u"/3.05u MIN 93/7 SnPb OVER 50u"/1.27u MIN Ni
	LF OPTION 100u"/2.54u MIN Sn OVER 50u"/1.27u MIN Ni (SEE NOTE 1,9)
XXXX-5YY	15u"/0.38u MIN (SEE NOTE 8) OVER 50u"/1.27u MIN Ni
XXXX-6YY	30u"/0.76u MIN (SEE NOTE 8) OVER 50u"/1.27u MIN Ni
XXXX-7YY	30u"/0.76u MIN Au OVER 50u"/1.27u MIN Ni
XXXX-8YY	15u"/0.38u MIN Au OVER 50u"/1.27u MIN Ni
XXXX-9YY	15u"/0.38u MIN GXT OVER 50u"/1.27u MIN Ni
XXXX-0YY	30u"/0.76u MIN GXT OVER 50u"/1.27u MIN Ni

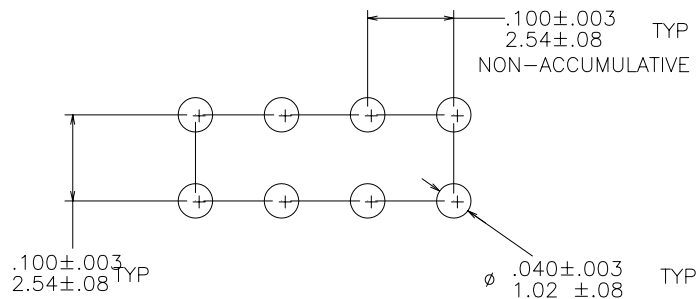
NOTES

- PART NUMBER OPTIONS:
PIN PLATING CODES (SEE ABOVE)
HIGH TEMP. MATERIAL:
FOR HIGH-TEMPERATURE APPLICATIONS, SPECIFY AN "H" AT THE END OF THE PART NUMBER, AND PCT WILL BE SUPPLIED.
NUMBER OF POSITION:
ANY NUMBER OF POSITIONS FROM 4 (2X2) THRU 72 (2X36).
PACKAGING:
PACKAGED IN POLY BAGS.
LEAD FREE:
ADD "HLF" SUFFIX AT THE END OF PART NUMBER FOR LEAD FREE OPTION, NOT AVAILABLE FOR -5YY,-5YYH,-6YY & -6YYH.
- BODY MATERIAL:
MANUFACTURER'S OPTION OF NYLON OR PCT, GLASS FIBER REINFORCED, FLAME RETARDANT PER UL-94V-0.
COLOR: BLACK.

PART NUMBERS WITH "H" SUFFIX WILL WITHSTAND EXPOSURE TO 260°C PEAK TEMPERATURE FOR 20 SECONDS IN WAVE SOLDER, INFRA-RED OR VAPOR PHASE SOLDER PROCESS.

PART NUMBERS WITHOUT "H" SUFFIX WILL WITHSTAND EXPOSURE TO 260°C PEAK TEMPERATURE FOR WAVE SOLDER PROCESS.
- PIN MATERIAL: PHOS-BRONZE.
- MEASURED WITH PART IN RESTRAINED CONDITION.
- TWO SIDES OF PIN TIPS NOT PLATED. TYPICAL BOTH ENDS.
- 2LBS/0.9KG MIN PIN RETENTION IN EITHER DIRECTION.
- THESE PRODUCTS MEETS EUROPEAN UNION DIRECTIVES AND OTHER COUNTRY REGULATION AS DESCRIBED IN GS-22-008.
- PLATING OPTIONS:
MAY BE EITHER GOLD OR GXT PLATED AT MANUFACTURER'S OPTION.
- THIS PRODUCT HAS 100% TIN PLATING IN THE INTERFACE AND HAS NOT BEEN TESTED FOR WHISKER GROWTH IN ALL INTERCONNECT ENVIRONMENTS."

FCI
FCIconnect.com



DOUBLE ROW
RECOMMENDED HOLE PATTERN

mat'l. code SEE NOTES 2 & 3		surface ISO 1302 ✓	tolerance ISO 406 ISO 1101	projection INCH/MM	product family BERGSTIK	
ltr	ecn no	dr	date	title		
CU				linear	BERGSTIK® II HDR D/R .100 CTR. R.R. TRACK	
				angles 0°±2'	scale 1:1	
		dr	T. BREWBAKER 1/31/95	FCI	sheet 2 of 7 size	
		enr	T. HANNA 1/31/95		78563	A3
		chr	T. HANNA 1/31/95		type	Product Customer Drawing
		appd	T. HANNA 1/31/95			
sheet index	revision sheet					

PRODUCT NUMBER	TOTAL PIN LGTH		TAIL LENGTH		MATING LENGTH		HEIGHT ABOVE BOARD		LF OPTION
	DIM F	DIM F	DIM G	DIM G	DIM H	DIM H	DIM J	DIM J	
	ENGLISH	METRIC	ENGLISH	METRIC	ENGLISH	METRIC	ENGLISH	METRIC	
58478-XYYH	0.808	20.52	0.120	3.05	0.268	6.81	0.420	10.67	NOTE 1,7
58479-XYYH	1.030	26.16	0.200	5.08	0.360	9.14	0.470	11.94	
60056-XYYH	0.425	10.80	0.150	3.81	0.065	1.65	0.210	5.33	
71282-XYYH	0.543	13.79	0.102	2.59	0.213	5.41	0.228	5.79	
71284-XYYH	0.920	23.37	0.122	3.10	0.372	9.45	0.426	10.82	
71285-XYYH	1.075	27.31	0.110	2.79	0.350	8.89	0.615	15.62	
71704-XYYH	1.145	29.08	0.354	8.99	0.354	8.99	0.437	11.10	
71725-XYYH	1.110	28.19	0.110	2.79	0.370	9.40	0.630	16.00	
71726-XYYH	1.380	35.05	0.315	8.00	0.315	8.00	0.750	19.05	
71728-XYYH	1.200	30.48	0.100	2.54	0.254	6.45	0.846	21.49	
71739-XYYH	0.945	24.00	0.110	2.79	0.110	2.79	0.725	18.42	
71741-XYYH	1.340	34.04	0.110	2.79	0.330	8.38	0.900	22.86	
71758-XYYH	1.123	28.52	0.394	10.01	0.394	10.01	0.335	8.51	
71797-XYYH	0.705	17.91	0.125	3.18	0.240	6.10	0.340	8.64	
72302-XYYH	1.176	29.87	0.100	2.54	0.230	5.84	0.846	21.49	
72307-XYYH	0.880	22.35	0.250	6.35	0.330	8.38	0.300	7.62	
72334-XYYH	0.775	19.69	0.120	3.05	0.230	5.84	0.425	10.80	
72335-XYYH	1.250	31.75	0.120	3.05	0.230	5.84	0.900	22.86	
72345-XYYH	0.630	16.00	0.100	2.54	0.230	5.84	0.300	7.62	
72420-XYYH	1.158	29.41	0.100	2.54	0.290	7.37	0.768	19.51	
72431-XYYH	1.150	29.21	0.262	6.65	0.262	6.65	0.626	15.90	
72461-XYYH	1.190	30.23	0.090	2.29	0.350	8.89	0.750	19.05	
72471-XYYH	1.286	32.66	0.130	3.30	0.406	10.31	0.750	19.05	
72509-XYYH	1.370	34.80	0.235	5.97	0.235	5.97	0.900	22.86	
72514-XYYH	1.220	30.99	0.120	3.05	0.350	8.89	0.750	19.05	
72521-XYYH	0.900	22.86	0.200	5.08	0.300	7.62	0.400	10.16	
73428-XYYH	1.330	33.78	0.330	8.38	0.727	18.47	0.273	6.93	
73500-XYYH	0.870	22.10	0.300	7.62	0.300	7.62	0.270	6.86	

NOTE 1,7



Copyright FCI

mat'l. code SEE NOTES 2 & 3		surface ISO 1302 <input checked="" type="checkbox"/> / ISO 406 ISO 1101		tolerance ISO 406 ISO 1101		projection 		product family BERGSTIK	
ltr		ecn		no		dr		date	
CU									
		angles		linear		.xx ±.01/.3 .xxx ±.005/.13 .xxxx ±.0020/.051		INCH/MM	
		σ±2'						scale 1:1	
		dr		T. BREWBAKER		1/31/95		dwg no	
		enr		T. HANNA		1/31/95		sheet 3 of 7 size	
		chr		T. HANNA		1/31/95		78563 A3	
		appd		T. HANNA		1/31/95		type Product Customer Drawing	
sheet index		revision sheet							

PRODUCT NUMBER	TOTAL PIN LGTH		TAIL LENGTH		MATING LENGTH		HEIGHT ABOVE BOARD		LF OPTION
	DIM F	DIM F	DIM G	DIM G	DIM H	DIM H	DIM J	DIM J	
	ENGLISH	METRIC	ENGLISH	METRIC	ENGLISH	METRIC	ENGLISH	METRIC	
73501-XYYH	0.668	16.97	0.098	2.49	0.157	3.99	0.413	10.49	NOTE 1,7
73697-XYYH	1.435	36.45	0.300	7.62	0.525	13.34	0.610	15.49	
73699-XYYH	0.952	24.18	0.122	3.10	0.228	5.79	0.602	15.29	
74381-XYYH	0.975	24.77	0.360	9.14	0.360	9.14	0.255	6.48	
74455-XYYH	1.050	26.67	0.230	5.84	0.320	8.13	0.500	12.70	
74465-XYYH	0.945	24.00	0.110	2.79	0.285	7.24	0.550	13.97	
74466-XYYH	0.930	23.62	0.355	9.02	0.360	9.14	0.215	5.46	
74467-XYYH	0.930	23.62	0.365	9.27	0.365	9.27	0.200	5.08	
74928-XYYH	1.164	29.56	0.200	5.08	0.200	5.08	0.764	19.41	
74997-XYYH	1.208	30.68	0.150	3.81	0.290	7.37	0.768	19.51	
78563-XYY	0.930	23.62	0.340	8.64	0.340	8.64	0.250	6.35	
78564-XYY	1.230	31.24	0.390	9.91	0.390	9.91	0.450	11.43	
78936-XYY	0.785	19.94	0.120	3.05	0.120	3.05	0.545	13.84	
78937-XYY	0.490	12.45	0.120	3.05	0.120	3.05	0.250	6.35	
84693-XYYH	0.975	24.77	0.380	9.65	0.380	9.65	0.215	5.46	
84819-XYYH	0.730	18.54	0.110	2.79	0.170	4.32	0.450	11.43	
84950-XYYH	1.250	31.75	0.120	3.05	0.350	8.89	0.780	19.81	
86816-XYY	0.925	23.50	0.120	3.05	0.120	3.05	0.685	17.40	
86824-XYY	0.760	19.30	0.120	3.05	0.250	6.35	0.390	9.91	
86826-XYY	0.700	17.78	0.120	3.05	0.330	8.38	0.250	6.35	
86831-XYY	0.525	13.34	0.100	2.54	0.225	5.72	0.200	5.08	
86869-XYY	1.020	25.91	0.120	3.05	0.230	5.84	0.670	17.02	
87039-XYY	1.240	31.50	0.120	3.05	0.120	3.05	1.000	25.40	
87053-XYY	0.990	25.15	0.120	3.05	0.120	3.05	0.750	19.05	
87323-XYY	1.375	34.93	0.219	5.56	0.406	10.31	0.750	19.05	

NOTE 1,7



FCIconnect.com

Copyright FCI

mat'l. code SEE NOTES 2 & 3		surface ISO 1302 <input checked="" type="checkbox"/>	tolerance ISO 406 ISO 1101	projection 	product family BERGSTIK
ltr	ecn	no	dr	date	tolerances unless otherwise specified
CU					angles linear .xx ±.01/.3 .xxx ±.005/.13 .xxxx ±.0020/.051
					INCH/MM
					scale 1:1
					dr T. BREWBAKER 1/31/95
					enr T. HANNA 1/31/95
					chr T. HANNA 1/31/95
					appd T. HANNA 1/31/95
sheet index	revision sheet				



title
BERGSTIK® II HDR D/R
.100 CTR. R.R. TRACK

dwg no 78563 sheet 4 of 7 size A3

type Product Customer Drawing



FCIconnect.com

Copyright FCI

PRODUCT NUMBER	TOTAL PIN LGTH		TAIL LENGTH		MATING LENGTH		HEIGHT ABOVE BOARD		LF OPTION
	DIM F	DIM F	DIM G	DIM G	DIM H	DIM H	DIM J	DIM J	
	ENGLISH	METRIC	ENGLISH	METRIC	ENGLISH	METRIC	ENGLISH	METRIC	
87324-XYY	1.218	30.94	0.406	10.31	0.406	10.31	0.406	10.31	NOTE 1,7 ↓
87346-XYY	0.930	23.62	0.100	2.54	0.330	8.38	0.500	12.70	
87347-XYY	0.890	22.61	0.110	2.79	0.280	7.11	0.500	12.70	
87501-XYYH	1.230	31.24	0.330	8.38	0.100	2.54	0.800	20.32	
87511-XYYH	1.130	28.70	0.105	2.67	0.325	8.26	0.700	17.78	
87512-XYYH	1.030	26.16	0.120	3.05	0.410	10.41	0.500	12.70	
87571-XYYH	0.930	23.62	0.250	6.35	0.250	6.35	0.430	10.92	
87594-XYY	1.190	30.23	0.200	5.08	0.120	3.05	0.870	22.10	
87887-XYY	0.940	23.88	0.120	3.05	0.395	10.03	0.425	10.80	
87899-XYY	1.040	26.42	0.120	3.05	0.370	9.40	0.550	13.97	
89444-XYY	0.930	23.62	0.120	3.05	0.310	7.87	0.500	12.70	
89637-XYY	1.260	32.00	0.118	3.00	0.315	8.00	0.827	21.01	
89638-XYY	1.040	26.42	0.120	3.05	0.270	6.86	0.650	16.51	
90237-XYY	0.813	20.65	0.120	3.05	0.318	8.08	0.375	9.53	
90608-XYY	0.595	15.11	0.120	3.05	0.255	6.48	0.220	5.59	
90806-XYY	1.400	35.56	0.360	9.14	0.200	5.08	0.840	21.34	
91507-XYYH	0.610	15.49	0.120	3.05	0.240	6.10	0.250	6.35	
91508-XYYH	0.888	22.56	0.120	3.05	0.500	12.70	0.268	6.81	
91509-XYYH	1.260	32.00	0.120	3.05	0.500	12.70	0.640	16.26	
91510-XYYH	0.960	24.38	0.120	3.05	0.500	12.70	0.340	8.64	
91862-XYYH	0.767	19.48	0.120	3.05	0.297	7.54	0.350	8.89	
91863-XYYH	0.792	20.12	0.120	3.05	0.297	7.54	0.375	9.53	
									NOTE 1,7

mat'l. code SEE NOTES 2 & 3		surface ISO 1302 ✓	tolerance ISO 406 ISO 1101	projection 	product family BERGSTIK
ltr	ecn	no	dr	date	tolerances unless otherwise specified
CU					angles linear .xx ±.01/.3 .xxx ±.005/.13 .xxxx ±.0020/.051
					scale 1:1
			dr	T. BREWBAKER	8/01/96
			enr	T. BREWBAKER	8/01/96
			chr	E. KROPWIENICKI	8/01/96
			app	T. BREWBAKER	8/01/96
sheet index	revision sheet				



title	BERGSTIK® II HDR D/R .100 CTR. R.R. TRACK
dwg no	78563
sheet	5 of 7
size	A3
type	Product Customer Drawing

form: A3

PRODUCT NUMBER	TOTAL PIN LGTH		TAIL LENGTH		MATING LENGTH		HEIGHT ABOVE BOARD		LF OPTION
	DIM F	DIM F	DIM G	DIM G	DIM H	DIM H	DIM J	DIM J	
	ENGLISH	METRIC	ENGLISH	METRIC	ENGLISH	METRIC	ENGLISH	METRIC	
92002-XYYH	0.980	24.89	0.120	3.05	0.410	10.41	0.450	11.43	NOTE 1,7
92012-XYYH	0.940	23.88	0.090	2.29	0.350	8.89	0.500	12.70	
92013-XYYH	1.450	36.83	0.120	3.05	0.330	8.38	1.000	25.40	
92094-XYYH	1.030	26.16	0.180	4.57	0.180	4.57	0.670	17.02	
92628-XYYH	1.160	29.46	0.120	3.05	0.230	5.84	0.810	20.57	
92900-XYYH	0.470	11.94	0.110	2.79	0.110	2.79	0.250	6.35	
93223-XYYH	0.635	16.13	0.090	2.29	0.230	5.84	0.315	8.00	
94046-XYYH	0.620	15.75	0.120	3.05	0.250	6.35	0.250	6.35	
94082-XYYH	0.838	21.29	0.120	3.05	0.318	8.08	0.400	10.16	
94083-XYYH	1.398	35.51	0.120	3.05	0.318	8.08	0.960	24.38	
94084-XYYH	0.775	19.69	0.130	3.30	0.265	6.73	0.380	9.65	
94085-XYYH	0.825	20.96	0.130	3.30	0.265	6.73	0.430	10.92	
94550-XYYH	1.110	28.19	0.125	3.18	0.300	7.62	0.685	17.40	
94551-XYYH	1.120	28.45	0.415	10.54	0.415	10.54	0.290	7.37	
94552-XYYH	1.230	31.24	0.110	2.79	0.205	5.21	0.915	23.24	
94553-XYYH	1.230	31.24	0.120	3.05	0.310	7.87	0.800	20.32	
94554-XYYH	1.250	31.75	0.120	3.05	0.330	8.38	0.800	20.32	
94555-XYYH	1.270	32.26	0.385	9.78	0.385	9.78	0.500	12.70	
94605-XYYH	0.830	21.08	0.110	2.79	0.270	6.86	0.450	11.43	
94620-XYYH	1.002	25.45	0.120	3.05	0.382	9.70	0.500	12.70	
94621-XYYH	0.590	14.99	0.100	2.54	0.260	6.60	0.230	5.84	
94632-XYYH	1.040	26.42	0.110	2.79	0.305	7.75	0.625	15.88	
94672-XYYH	0.750	19.05	0.120	3.05	0.335	8.51	0.295	7.49	
95036-XYYH	1.304	33.12	0.290	7.37	0.290	7.37	0.724	18.39	
95063-XYYH	0.902	22.91	0.135	3.43	0.330	8.38	0.437	11.10	
95064-XYYH	0.630	16.00	0.220	5.59	0.120	3.05	0.290	7.37	
95088-XYYH	1.100	27.94	0.300	7.62	0.300	7.62	0.500	12.70	



Copyright FCI

mat'l. code		surface		tolerance		projection		product family	
-		ISO 1302 ✓		ISO 406 ISO 1101				BERGSTIK	
ltr		ecn no dr		date		tolerances unless otherwise specified		title	
CU						.xx ±.01/.3 .xxx ±.005/.13 .xxxx ±.0020/.051		INCH/MM scale 1:1	
						dr T. BREWBAKER 8/01/96 engr T. BREWBAKER 8/01/96 chr E. KROPWIENICKI 8/01/96 appd T. BREWBAKER 8/01/96		FCJ dwg no 78563 sheet 6 of 7 size A3	
sheet index		revision sheet						type Product Customer Drawing	

PRODUCT NUMBER	TOTAL PIN LGTH		TAIL LENGTH		MATING LENGTH		HEIGHT ABOVE BOARD		LF OPTION
	DIM F	DIM F	DIM G	DIM G	DIM H	DIM H	DIM J	DIM J	
	ENGLISH	METRIC	ENGLISH	METRIC	ENGLISH	METRIC	ENGLISH	METRIC	
95116-YYYH	1.430	36.32	0.110	2.79	0.445	11.30	0.875	22.23	NOTE 1,7
95124-YYYH	0.838	21.29	0.112	2.84	0.289	7.34	0.437	11.10	
95129-YYYH	1.330	33.78	0.060	1.52	0.350	8.89	0.920	23.37	
95616-YYYH	1.253	31.83	0.170	4.32	0.343	8.71	0.740	18.80	
95656-YYYH	0.910	23.11	0.230	5.84	0.230	5.84	0.450	11.43	
95657-YYYH	0.980	24.89	0.300	7.62	0.230	5.84	0.450	11.43	
95685-YYYH	0.895	22.73	0.340	8.64	0.340	8.64	0.215	5.46	
95686-YYYH	0.900	22.86	0.350	8.89	0.350	8.89	0.200	5.08	
95711-YYYH	1.030	26.16	0.180	4.57	0.100	2.54	0.750	19.05	
95731-YYYH	1.335	33.91	0.110	2.79	0.395	10.03	0.830	21.08	
95762-YYYH	1.050	26.67	0.150	3.81	0.230	5.84	0.670	17.02	
95787-YYYH	0.930	23.62	0.100	2.54	0.225	5.72	0.605	15.37	
95788-YYYH	1.130	28.70	0.155	3.94	0.175	4.45	0.800	20.32	
98048-YYYH	0.609	15.47	0.120	3.05	0.230	5.84	0.259	6.58	
98049-YYYH	0.930	23.62	0.090	2.29	0.210	5.33	0.630	16.00	
98070-YYYH	1.086	27.58	0.125	3.18	0.232	5.89	0.728	18.49	
98141-YYYH	0.530	13.46	0.120	3.05	0.120	3.05	0.290	7.37	
98216-YYYH	0.850	21.59	0.120	3.05	0.120	3.05	0.610	15.49	
98836-YYYH	0.830	21.08	0.150	3.81	0.220	5.59	0.460	11.68	
10007210-YYYH	1.130	28.70	0.220	5.59	0.460	11.68	0.450	11.43	
10017135-YYYH	1.330	33.78	0.285	7.24	0.595	15.11	0.450	11.43	
10017288-YYYH	1.331	33.81	0.160	4.06	0.210	5.33	0.961	24.41	
10033859-YYYH	1.130	28.70	0.190	4.83	0.490	12.45	0.450	11.43	
10037932-YYYH	1.230	31.24	0.190	4.83	0.590	14.99	0.450	11.43	
10070373-YYYH	1.338	34.00	0.125	3.20	0.275	7.00	0.937	23.80	

mat'l. code		surface		tolerance		projection		product family	
-		ISO 1302 ✓		ISO 406		⊕		BERGSTIK	
ltr		ecn no dr		date		tolerances unless otherwise specified		title	
CU						.xx ±.01/.3		BERGSTIK® II HDR D/R	
						.xxx ±.005/.13		.100 CTR. R.R. TRACK	
						σ±2'		scale 1:1	
						.xxxx ±.0020/.051		dwg no	
				dr T. BREWBAKER 8/01/96		FCJ		sheet 7 of 7 size	
				enr T. BREWBAKER 8/01/96				78563 A3	
				chr E. KROPWIENICKI 8/01/96				type Product Customer Drawing	
				appd T. BREWBAKER 8/01/96					
sheet index		revision sheet							



Copyright FCJ