

PRODUCT NUMBER  
57202-XXX-XXXXXLF

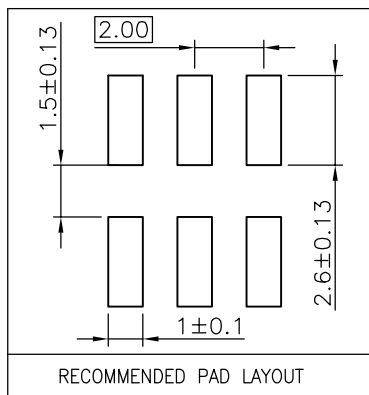
PLATING  
S = 0.38µm GOLD/GXT ON CONTACT AREA  
2µm MIN MATTE TIN ON TAIL  
G = 0.76µm GOLD/GXT ON CONTACT AREA  
2µm MIN MATTE TIN ON TAIL  
F = GOLD FLASH ON CONTACT AREA  
2µm MIN MATTE TIN ON TAIL  
1.27µm MIN NICKEL UNDERPLATING

RoHS COMPATIBLE SEE NOTE 7  
POLARIZATION, SEE NOTE 6  
PACKAGING, SEE NOTE 5  
NB OF POS PER ROW : 02 TO 25

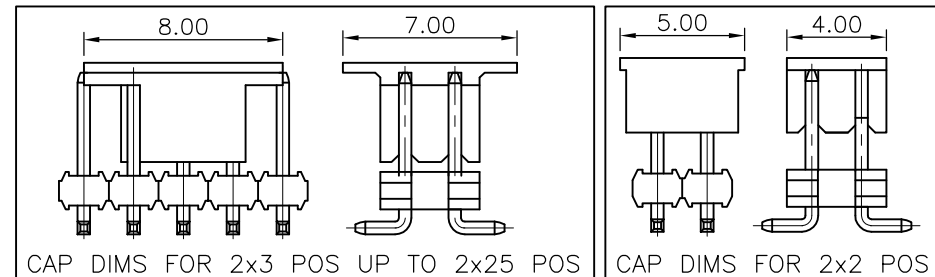
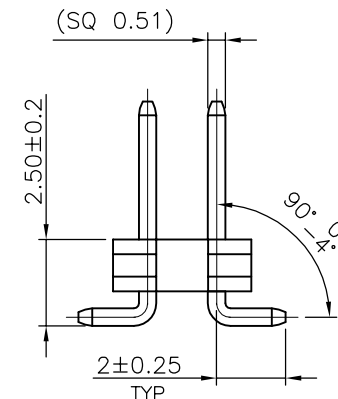
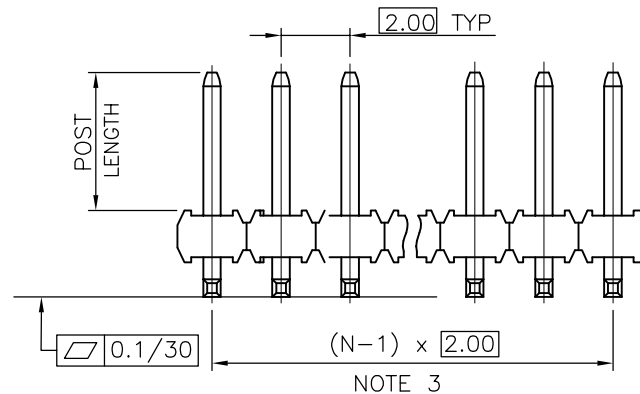
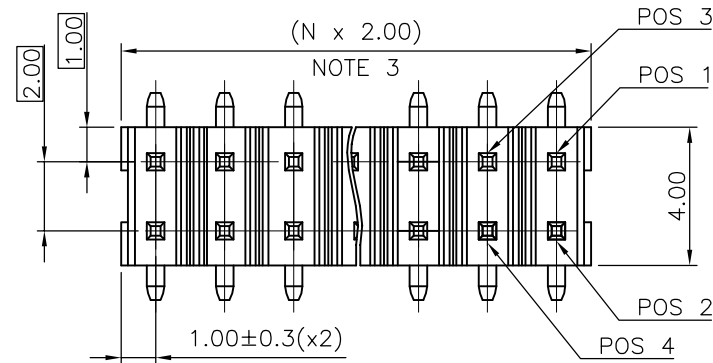
| STYLE | POST LENGTH<br>±0.2 |
|-------|---------------------|
| 51    | 2.00                |
| 52    | 4.00                |
| 53    | 3.50                |
| 54    | 2.50                |

NOTES:

- MATERIAL HOUSING: HIGH TEMP. THERMOPLASTIC  
UL 94V-0, COLOR BLACK
- MATERIAL TERMINAL: COPPER ALLOY
- TO DETERMINE DIMENSIONS:  
N = NUMBER OF POSITIONS PER ROW.
- 7N MIN. PIN RETENTION IN EITHER DIRECTION.
- PACKAGING:  
= STANDARD PACKAGING IN POLYBAG  
- = PLASTIC BOX WHEN POLARISATION FEATURE APPLICABLE.  
U = TUBE AVAILABLE FROM 04 TO 25 POS PER ROW.  
A = TAPE AND REEL WITH PICK UP CAP INSTALLED  
IN THE CENTER OF THE PRODUCT FOR PICK AND PLACE  
SEE TA 884 FOR PRODUCT AVAILABILITY.  
K = TAPE AND REEL WITHOUT CAP, SEE TA884 FOR AVAILABILITY.
- FOR POLARIZATION, SPECIFY POSITION NUMBER TO OMIT PIN.  
EXAMPLE : 03 = OMIT PIN POSITION 3, SEE TOP VIEW.  
OMIT FROM PRODUCT NUMBER IF THIS FEATURE IS NOT APPLICABLE.
- RoHS COMPATIBLE PRODUCT SPECIFICATIONS
  - PLATING:  
- "LF" MEANS THE PRODUCT IS LEAD-FREE,  
2µm MINIMUM MATTE TIN OVER 1.27µm  
MINIMUM NICKEL UNDERPLATE.
  - MANUFACTURING PROCESS COMPATIBILITY  
- THE HOUSING WILL WITHSTAND EXPOSURE TO  
260°C PEAK TEMPERATURE FOR 30 SECONDES  
IN A CONVECTION, INFRA-RED OR VAPOR  
PHASE REFLOW OVEN.
  - LABELLING:  
- MEETS PACKAGING SPECS AS PER GS-14-920
  - LEGAL STATEMENT : SEE GS-47-0004



TOP VIEW



|                         |          |                                       |             |            |                                     |
|-------------------------|----------|---------------------------------------|-------------|------------|-------------------------------------|
| mat'l. code             |          | surface                               | tolerance   | projection | product family                      |
| Ltr ecn no dr date      |          | ISO 1302                              | ISO 406 ISO | 101        | MINITEK                             |
| L F09-0087 JCO 09.09.04 |          | tolerances unless otherwise specified |             | mm         | title                               |
| M F11-0026 LMU 11.05.12 |          | angles                                | .X ±0.3     |            |                                     |
| N B-19190 LMU 14.10.24  |          | linear                                | .XX ±0.13   | scale 1:1  | UNSH HEADER<br>2.00 mm VERTICAL SMT |
| P B-19797 AMA 14.12.16  |          | dr                                    | .XXX ±0.05  |            |                                     |
| J F06-0327 LMU 07.01.03 |          | L.MULIN 04.05.06                      |             | FCI        | dwg no                              |
| K F08-0145 ELA 17.04.08 |          | engr J.COMPAGNON 0.4.11.25            |             |            |                                     |
| sheet                   | revision |                                       |             |            | sheet 1 of 1 size                   |
| index                   | sheet    |                                       |             |            | 57202 A3                            |
|                         |          |                                       |             |            | type                                |
|                         |          |                                       |             |            | CUSTOMER Drawing                    |