

SPECIFICATIONS

Mechanical

Mating Force: 3.06kg (6.75Lb) max.
 Unmating Force: 0.19kg (0.42Lb) min.
 Durability: 500 Cycles

Electrical

Current Rating: 2A
 Contact Resistance: 35mΩ (Upper); 25 mΩ (Lower)
 Dielectric Withstanding Voltage: 1000V AC/1min min.
 Insulation Resistance: 5000MΩ min.

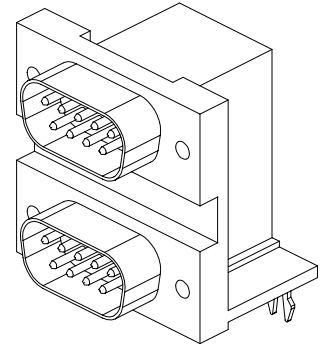
Physical

Housing: Thermoplastic, UL 94V-0 rated in Teal 322C Color
 Contact: Copper alloy
 Plating: See "ORDERING INFORMATION"
 Operating Temperature: -55 to +105

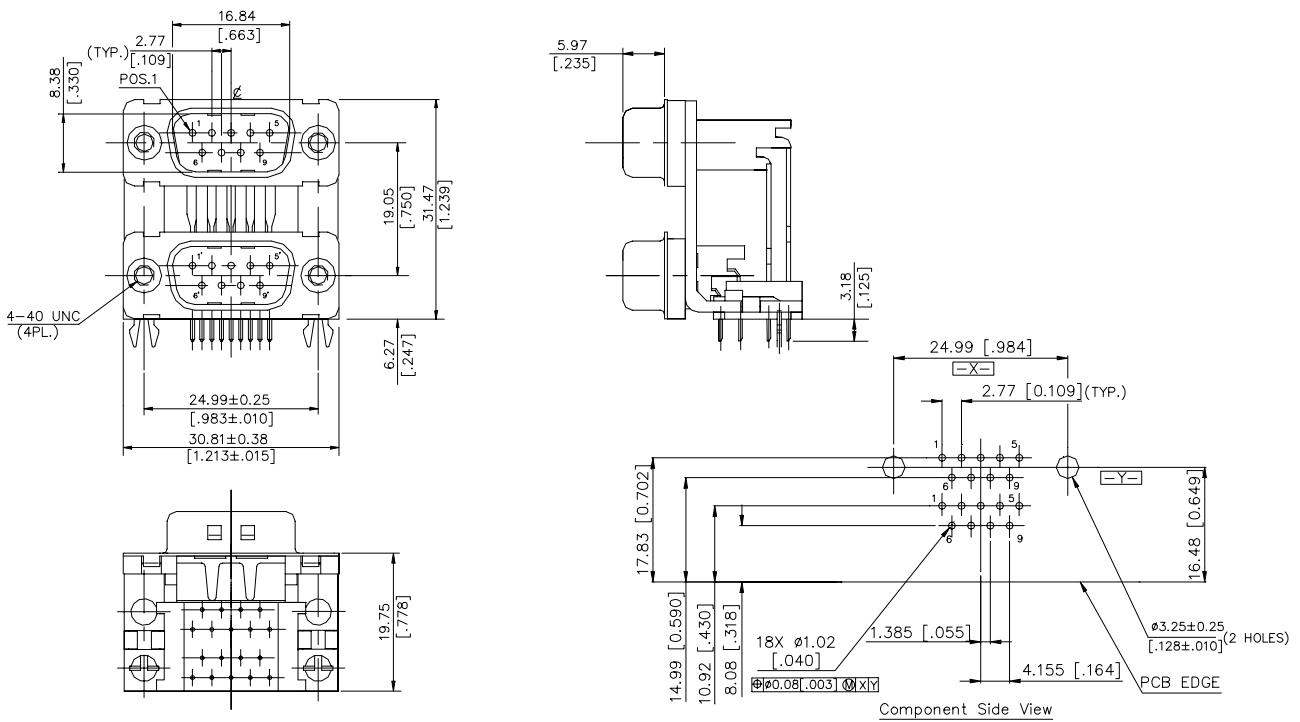
D-SUB Connector

DM Series

Right Angle Type, T/H
 2.77mm [.109"] Pitch
 9 Pos. (Male) +
 9 Pos. (Male)



DRAWING



ORDERING INFORMATION

PRODUCT NO.: DM 1 0 1 5 * - H230 - 4F

- D-SUB Series: DM
- Termination Type: 1=Right Angle
- Contact Design Type: 0=Male
- No. of Pos.: 1=9 Pos.
- Body Length: 5=14.99 mm
- Lead Free Code: *
- Extension Code: H230
- Contact Area Plating: 1=Gold Flash, 3=30 m" Gold, 7=15 m" Gold

All specification & dimensions are subject to change, please call your nearest Foxconn sales representative for update information.