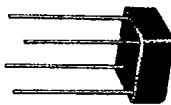


Type	Max V _{RPR}	Max V _{RMS}	Max V _{DCB}
------	-------------------------	-------------------------	-------------------------

6 AMPERES/8 AMPERES

Package: CASE 5



PBPC601	50	35	
PBPC602	100	70	
PBPC603	200	140	
PBPC604	400	280	
PBPC605	600	420	
PBPC606	800	560	
PBPC607	1000	700	

1 AMPERE

Package: CASE 1



PBDF101	50	35	50
PBDF102	100	70	100
PBDF103	200	140	200
PBDF104	400	280	400
PBDF105	600	420	600
PBDF106	800	560	800
PBDF107	1000	700	1000

10 AMPERES

Package: CASE 7



KBPC 10-005	50	35	50
KBPC 10-01	100	70	100
KBPC 10-02	200	140	200
KBPC 10-04	400	280	400
KBPC 10-06	600	420	600
KBPC 10-08	800	560	800
KBPC 10-10	1000	700	1000

Type	Max V _{RPR}	Max V _{RMS}	Max V _{DCB}
------	-------------------------	-------------------------	-------------------------

15 AMPERES

Package: CASE 7



KBPC 15-005	50	35	50
KBPC 15-01	100	70	100
KBPC 15-02	200	140	200
KBPC 15-04	400	280	400
KBPC 15-06	600	420	600
KBPC 15-08	800	560	800
KBPC 15-10	1000	700	1000

25 AMPERES

Package: CASE 7



KBPC 25-005	50	35	50
KBPC 25-01	100	70	100
KBPC 25-02	200	140	200
KBPC 25-04	400	280	400
KBPC 25-06	600	420	600
KBPC 25-08	800	560	800
KBPC 25-10	1000	700	1000

35 AMPERES

Package: CASE 7

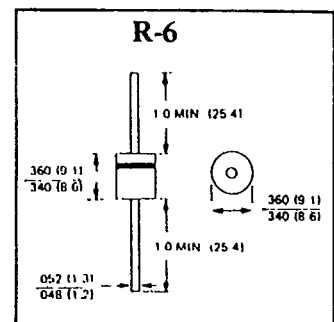
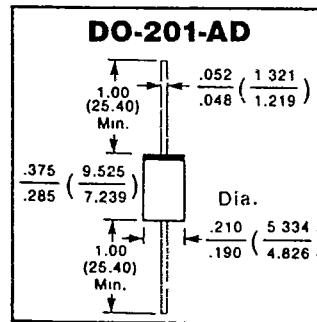
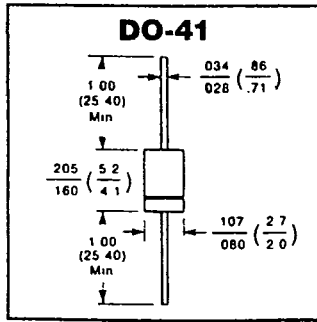
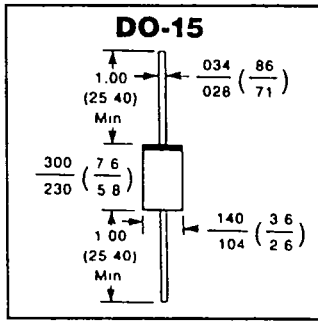


KBPC 35-005	50	35	50
KBPC 35-01	100	70	100
KBPC 35-02	200	140	200
KBPC 35-04	400	280	400
KBPC 35-06	600	420	600
KBPC 35-08	800	560	800
KBPC 35-10	1000	700	1000

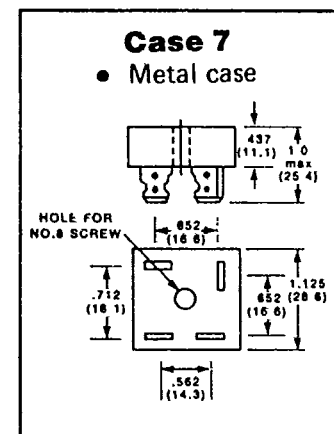
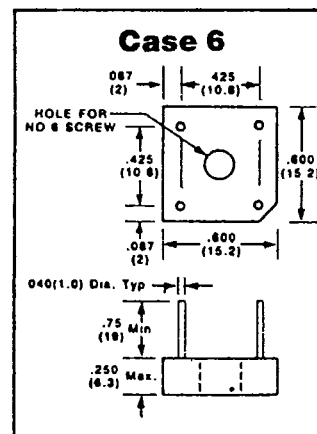
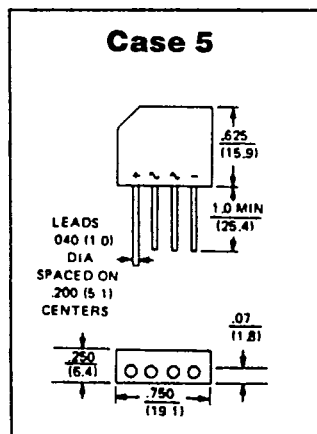
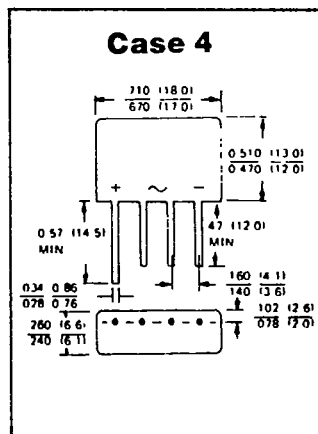
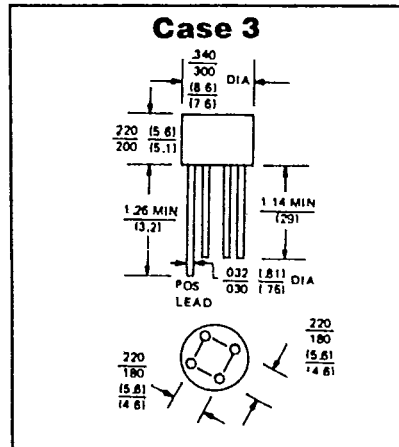
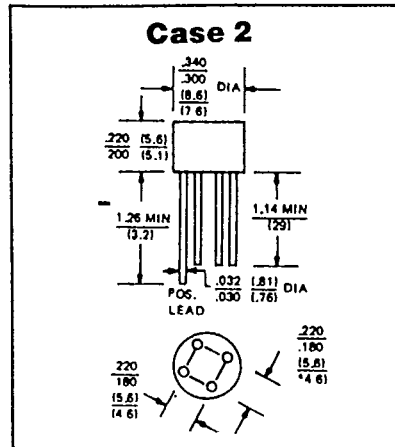
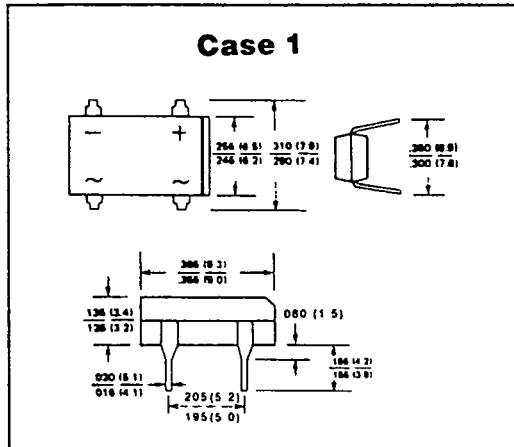
*V_{RPR} = Recurrent Peak Reverse Voltage; V_{RMS} = RMS Voltage; V_{DCB} = DC Blocking Voltage

Package Designs

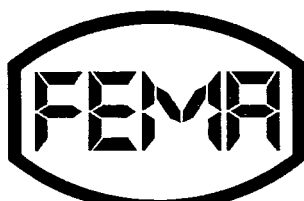
SILICON RECTIFIERS/SCHOTTKY RECTIFIERS



BRIDGE RECTIFIERS



Dimensions in inches and (millimeters)



FEMA Electronics Corp.

ELECTRONIC COMPONENTS DIVISION

12-6 EDGEBORO ROAD
 EAST BRUNSWICK, NJ 08816
 PHONE: (201) 238-1223
 TELEX: 299425 FEMA UR
 FAX: (201) 238-7981