

FEATURES AND SPECIFICATIONS

Features and Benefits

- 125 Circuits—5 rows by 25 columns
- For use on horizontal backplanes or mezzanine-style connections on daughtercards
- Split-beam receptacle contact design provides smooth insertion and strong contact retention
- M style press-fit pin contact design creates four points of contact for a gas-tight connection

Reference Information

Product Specification: PS-54491-016

Packaging: Tube

UL File No.: E29179

CSA File No.: LR19980

Mates With: [55351](#), [55357](#) and [55376](#) Type B 5-row plugs

Designed In: Millimeters

Electrical

Voltage: 500V

Current: 1.0A

Contact Resistance: 35 milliohms max.

Dielectric Withstanding Voltage: 750V AC/1 min.

Insulation Resistance: 10,000 Megohms min.

Physical

Housing: Gray glass-filled PBT, UL 94V-0

Contact: Phosphor Bronze

Plating: 0.8 μ m (31 μ in.) min. Gold over Nickel

Module: Gray glass-filled PBT, UL 94V-0

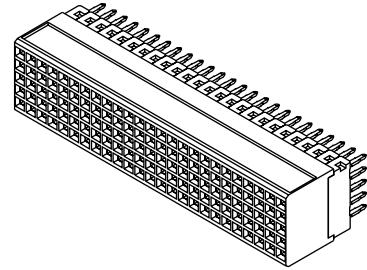
Operating Temperature: -55 to +125°C



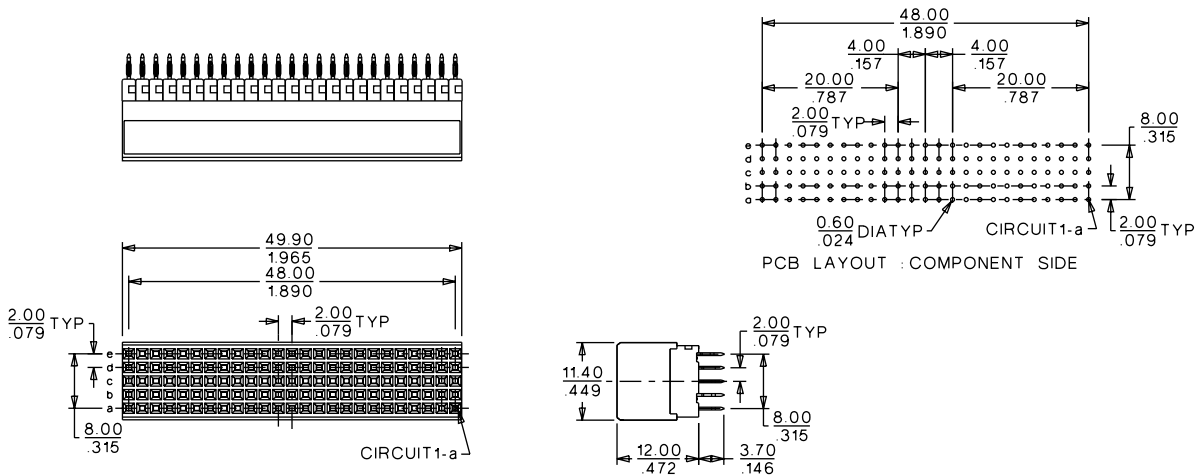
2.00mm (.079") Pitch MZP™ Hard Metric Board-to-Board PCB Receptacle

54491

Type B, Vertical



CATALOG DRAWING (FOR REFERENCE ONLY)



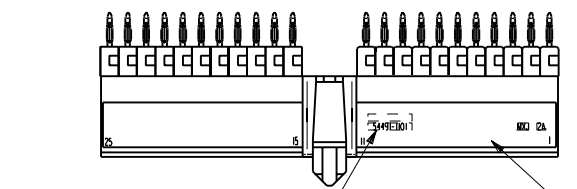
ORDERING INFORMATION

Circuits	Order No.
125	54491-1259

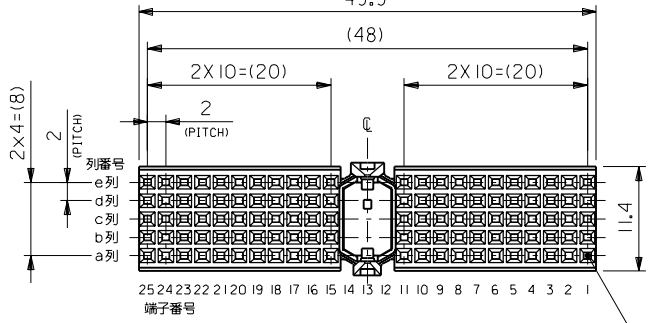


DWG. NO. SD-54491-004

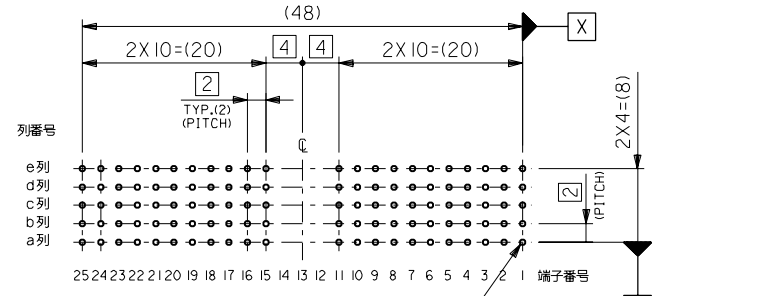
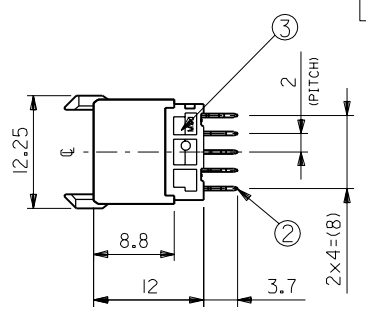
番号 NO.	部品 PART NAME	材質 MATERIAL	仕上げ FINISH
①	リセプタクル ハウジング RECEPTACLE HOUSING	ポリエステル, ガラス充填, 灰色, UL 94V-0 PBT GLASS FILLED, GRAY, UL94V-0	—
②	モジュール MODULE	ポリエステル, ガラス充填, 灰色, UL 94V-0 PBT GLASS FILLED, GRAY, UL94V-0	—
③	リセプタクル ターミナル RECEPTACLE TERMINAL	リン青銅 PHOSPHOR BRONZE	△



△ ロットNO. & MATERIAL NO.



回路1 - a極目
1st. - a CKT. IDENTIFICATION



推奨基板厚: 1.4 ~ 5.6 mm
RECOMMENDED P.C.B. THICKNESS: 1.4 ~ 5.6mm

基板穴推奨寸法 (部品実装面)
RECOMMENDED P.C.B. LAYOUT (COMPONENT SIDE)

注記 NOTES

- △ ターミナルめっき仕様
TERMINAL PLATING
めっき: 0.8 μm MIN. (接点部)
GOLD: 0.8 μm MIN. (CONTACT AREA)
ニッケルめっき: 1.3 μm MIN. (下地めっき)
NICKEL: 1.3 μm MIN. (UNDER PLATING)
- △ 製品番号及びロットナンバー
MODEL NO. & LOT NO.

DO NOT SCALE DRAWING

EC NO. DRWN: CHK: APPR:	EC NO. DRWN: CHK: APPR:	REVISED EC No. JD2001-0294 DRWN: S. ANDO 01/01/98 CHK: ANODA 01/01/98 APPR: HIKESUGI 01/01/98	REVISED EC No. JD2001-0539 DRWN: S. ANDO 00/01/96 CHK: ANODA 00/01/96 APPR: HIKESUGI 00/01/96	RELEASED EC No. JD2000-0570 DRWN: S. ANDO 99/02/14 CHK: ANODA 99/02/14 APPR: HIKESUGI 99/02/14	MATERIAL 材料	GENERAL TOLERANCES: (UNLESS SPECIFIED) 一般公差	SCALE	DESIGN UNITS	THIRD ANGLE PROJECTION	DIMENSIONS: <input type="checkbox"/> mm <input type="checkbox"/> INCH <input checked="" type="checkbox"/> mm ONLY	SHT	REVISE ON CAD ONLY
							2-1	<input checked="" type="checkbox"/> mm <input type="checkbox"/> INCH				
EC NO. DRWN: CHK: APPR:	EC NO. DRWN: CHK: APPR:	REVISED EC No. JD2001-0294 DRWN: S. ANDO 01/01/98 CHK: ANODA 01/01/98 APPR: HIKESUGI 01/01/98	REVISED EC No. JD2001-0539 DRWN: S. ANDO 00/01/96 CHK: ANODA 00/01/96 APPR: HIKESUGI 00/01/96	RELEASED EC No. JD2000-0570 DRWN: S. ANDO 99/02/14 CHK: ANODA 99/02/14 APPR: HIKESUGI 99/02/14	MATERIAL 材料	GENERAL TOLERANCES: (UNLESS SPECIFIED) 一般公差	10 UNDER 未満	+0.2	DRAWN BY & DATE S. Ando 99/12/14	TITLE: "MZP" B/B CONN. RECEPTACLE STRAIGHT ASS'Y TYPE A (110PIN)	MATERIAL NO. DRAWING NO.	SHEET NO. 1 OF 1
							10 OVER 以上	30 UNDER 未満				
EC NO. DRWN: CHK: APPR:	EC NO. DRWN: CHK: APPR:	REVISED EC No. JD2001-0294 DRWN: S. ANDO 01/01/98 CHK: ANODA 01/01/98 APPR: HIKESUGI 01/01/98	REVISED EC No. JD2001-0539 DRWN: S. ANDO 00/01/96 CHK: ANODA 00/01/96 APPR: HIKESUGI 00/01/96	RELEASED EC No. JD2000-0570 DRWN: S. ANDO 99/02/14 CHK: ANODA 99/02/14 APPR: HIKESUGI 99/02/14	MATERIAL 材料	GENERAL TOLERANCES: (UNLESS SPECIFIED) 一般公差	30 OVER 以上	+0.3	APPROVED BY & DATE S. Ando 99/12/14	MATERIAL NO. DRAWING NO.	SHEET NO. 1 OF 1	SIZE B
							ANGLE 角度	+3°				
THIS DRAWING CONTAINS INFORMATION THAT IS PROPRIETARY TO MOLEX INCORPORATED AND SHOULD NOT BE USED WITHOUT WRITTEN PERMISSION.										EN-02J(097) MXJ-54		

SD-54491-004.59A

DWG. NO. SD-54491-013

F

D

V

C

B

DO NOT SCALE DRAWING

8 7 6 5 4 3 2 1

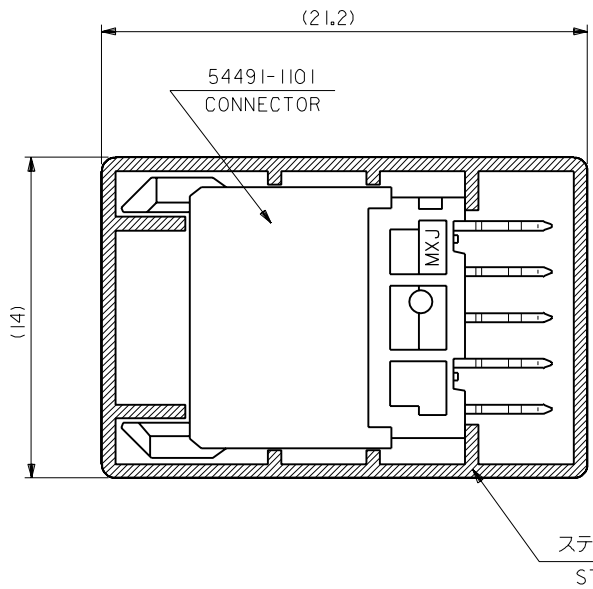
F

E

D

C

B



注記
NOTES

- スティック両端はテープ止め。
BOTH ENDS WITH TAPES.
- 全長：560±2
TOTAL LENGTH: 560±2
- 肉厚：0.8±0.2
THICKNESS: 0.8±0.2

11	54491-1109	110
梱包数 QUANTITY	MATERIAL NO.	極数 PIN

EC NO. DRWN: CHK: APPR:	EC NO. DRWN: CHK: APPR:	EC NO. DRWN: CHK: APPR:	REVISED EC NO. JD2001-0294 DRWN: S.ANDO 00/07/19 CHK: A.NODA 00/07/19 APPR: H.IKESUGI 00/07/19	RELEASED EC NO. JD2001-0040 DRWN: S.ANDO 00/07/12 CHK: A.NODA 00/07/12 APPR: H.IKESUGI 00/07/12	MATERIAL 材料 スティック：ポリ塩化ビニル STICK: PVC	GENERAL TOLERANCES: (UNLESS SPECIFIED) 一般公差	SCALE 5-1	DESIGN UNITS <input checked="" type="checkbox"/> mm <input type="checkbox"/> INCH	<input checked="" type="checkbox"/> THIRD ANGLE <input type="checkbox"/> PROJECTION	DIMENSIONS: <input type="checkbox"/> mm <input type="checkbox"/> INCH <input checked="" type="checkbox"/> mm ONLY	SHT REV		
FINISH 仕上げ	WIRE RANGE 適用電線範囲	INS. RANGE 被覆外径	DESCRIPTION	REV	10 UNDER 未満	10 OVER 以上	30 UNDER 未満	30 OVER 以上	ANGLE 角度	DRAWN BY & DATE S. Ando '00/07/06	CHECKED BY & DATE A. Noda '00/07/06	TITLE: "MZP" B/B CONN. REC. STRAIGHT ASS'Y TYPE A (110PIN) STICK PACKAGING	
										APPROVER BY & DATE H. Ikessugi '00/07/06		MOLEX INCORPORATED	
										CAD FILENAME SD-54491-013.S01	MATERIAL NO. SEE TABLE	DRAWING NO. SD-54491-013	SHEET NO. 1 OF 1
										THIS DRAWING CONTAINS INFORMATION THAT IS PROPRIETARY TO MOLEX INCORPORATED AND SHOULD NOT BE USED WITHOUT WRITTEN PERMISSION.		SIZE B	

EN-02J(O97) MXJ-54

SD-54491-013.59J