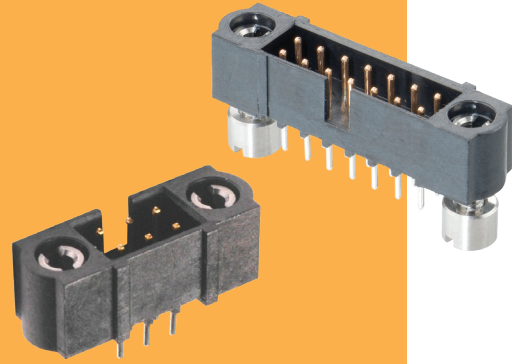


Datamate J-Tek Connectors

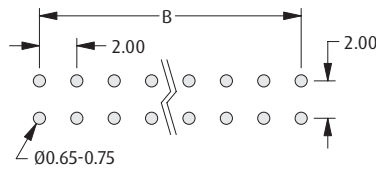
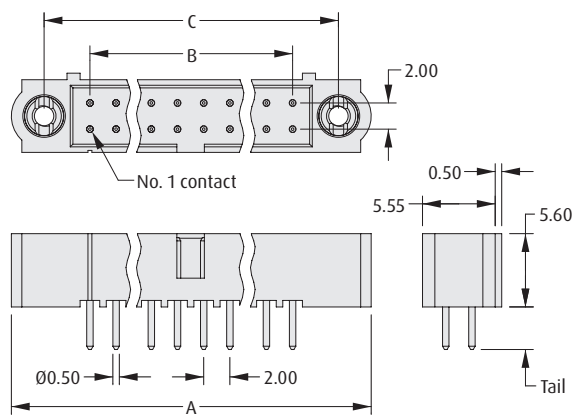
DATAMATE J-TEK

Male Vertical Throughboard 101Lok

- ❖ 101Lok fixing gives secure, fast and simple mating; no special tooling required. Just a simple 101-degree turn is required to fix the connectors together.
- ❖ Connectors mate with Datamate J-Tek female connectors with applicable 101Lok fixings.
- ❖ Board Mount provides PCB strain relief.
- ❖ Choice of throughboard termination length.



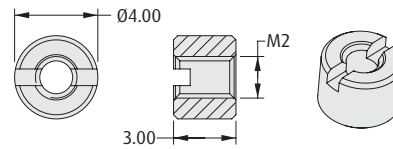
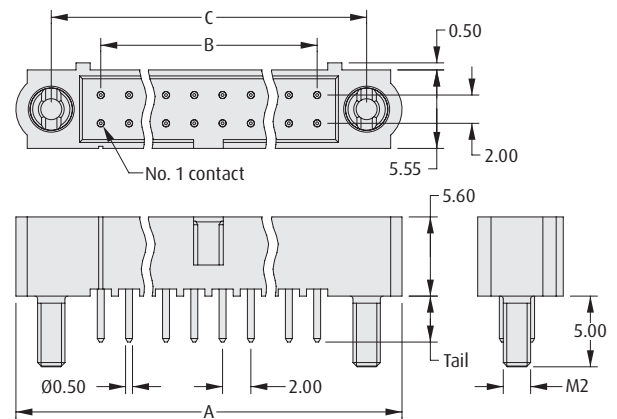
101LOK



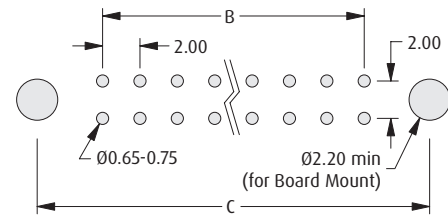
Recommended PC Board Pattern

CALCULATION	
A	$B + 12$
B	Total no. of contacts - 2
C	$B + 7$

101LOK WITH BOARD MOUNT



Board Mount Nut, 2 per connector



Recommended PC Board Pattern

HOW TO ORDER

M80 - 5 TX XX XX MX

SERIES CODE

TYPE

T1	3mm Tails
T2	4.5mm Tails

TOTAL NO. OF CONTACTS

04, 06, 08, 10, 12, 14, 20, 26, 34, 42, 50

JACKSCREW

MC	101Lok
ME	101Lok with Board Mount

FINISH

05	Gold
42	Gold + Tin

All dimensions in mm.