

Specifications

Insulation Resistance: 1,000MΩ min. at 500 V DC
 Withstanding Voltage: 700 V AC rms for 1 minute
 Contact Resistance: 30mΩ max. at 10mA
 Current Rating: 1A
 Operating Temp. Range: -20°C to +105°C

Materials and Finish

Housing: PBT, UL 94V-0 rated
 Contacts: Copper Alloy
 Plating: Gold over Nickel

Features

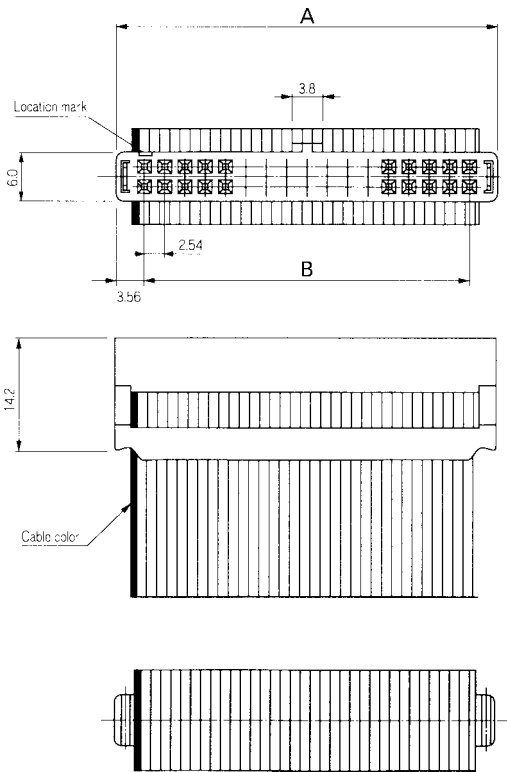
- ◇ 2.54mm contact pitch sockets for flat cables with Daisy Chain strain relief
- ◇ Variations include latch header plugs (for PC-board connection and IDC) and IDC sockets
- ◇ Two-point contact of the flat cable gang wired sockets ensures high reliability



Jigs and Tools

- ◇ Hand press: FX-003
- ◇ Applicable jig: FA-005

Applicable Dimensions (Reference Only)



Part Number (Details)

FAS - 34 - *8

Series (socket)

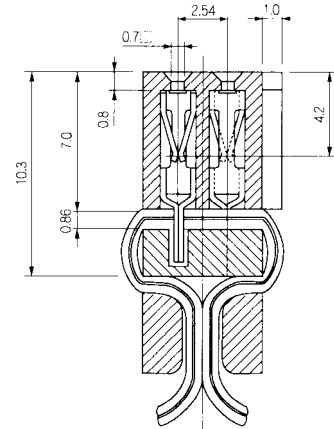
No. of Leads

Center Key Option:
 08 = Without Center Key
 18 = With Center Key

Applicable Cables

AWG 28 stranded wire,
 AWG 30 solid wire, 1.27 mm pitch

Contact Details



Part No.	No. of Leads	A	B	Part No.	No. of Leads	A	B
FAS-10-*8	10	17.28	10.16	FAS-34-*8	34	47.76	40.64
FAS-16-*8	16	24.90	17.78	FAS-40-*8	40	55.38	48.26
FAS-20-*8	20	29.98	22.86	FAS-50-*8	50	68.08	60.96
FAS-26-*8	26	37.60	30.48	FAS-60-*8	60	80.78	73.99
FAS-30-*8	30	42.68	35.56	FAS-64-*8	64	85.86	78.74