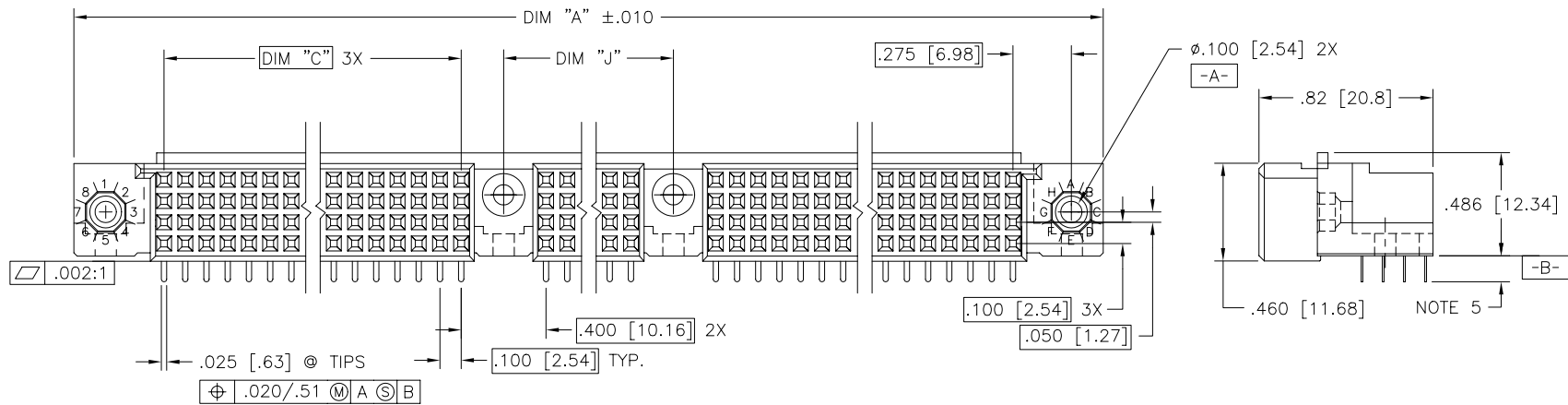
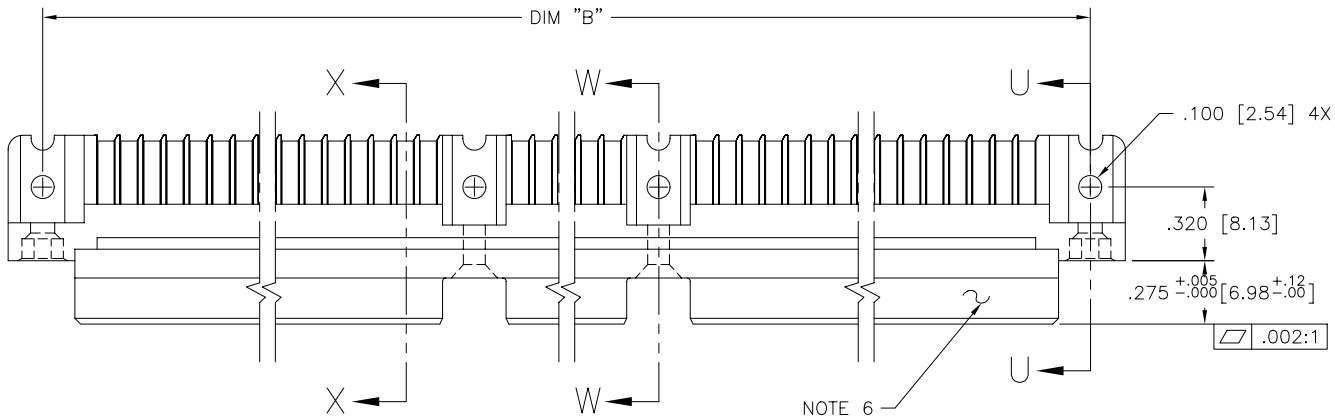


PRODUCT NUMBER
SEE NOTE 1



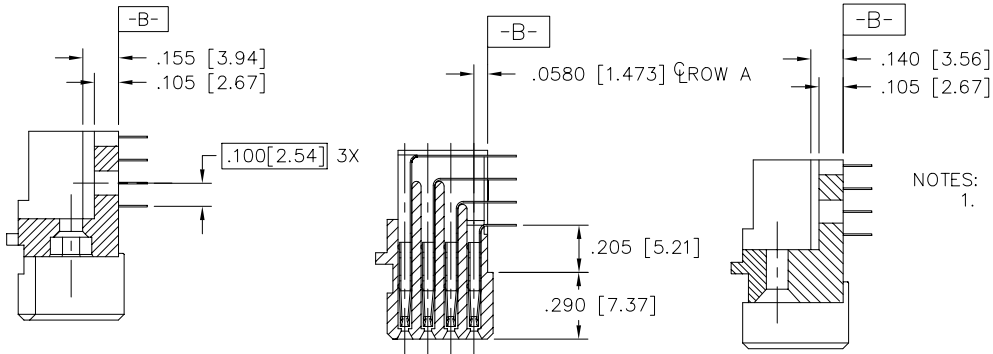
mat'l. code NOTE 3		surface ISO 1302 ✓		tolerance ISO 406 ISO 1101		projection INCH/MM		product family HPC	
ltr		ecn no		dr		date		title	
B	v31939	SAR	2/20/92	tolerances unless otherwise specified		.xx ±.01/.3		4 ROW R/A RECEPTACLE	
C	v41511	GAH	10/13/94	angles	linear	.xxx ±.005/.13		SOLDER TO BOARD, 2 G. P.	
D	v60864	GIP	6/04/96	σ±2'		.xxxx ±.0020/.051		dwg no	
E	v61331	GIP	6/04/96	dr	S. ROYER	2/20/92		sheet 1 of 2 size	
F	v90624	HTB	3/08/99	engr	D. BRANN	2/20/92		50303 A3	
G	v00254	JWS	1/13/00	chr	D. BRANN	2/20/92		type Product Customer Drawing	
H	M06-0261	MNR	7/10/06	appd	D. BRANN	2/20/92			
sheet	revision	H	H						
index	sheet	1	2						



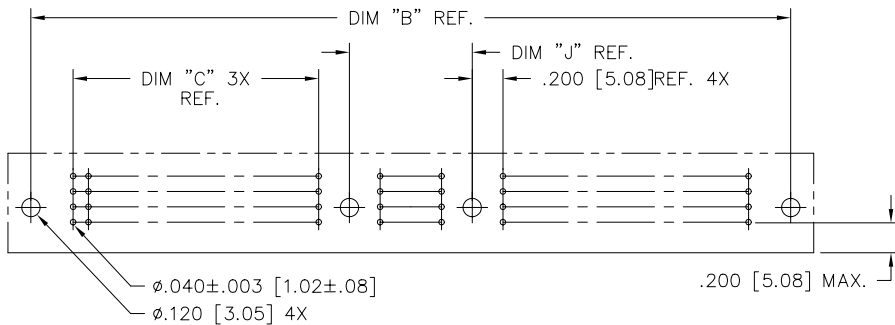
Copyright FCI

form: A3

PRODUCT NUMBER	DIM.	LENGTH FORMULAS
SEE NOTE 1	DIM A	.100/2.54 X NO. OF COLUMNS + 1.35/34.3
	DIM B	.100/2.54 X NO. OF COLUMNS + 1.050/26.67
	DIM C	.100/2.54 X NO. OF COLUMNS DIVIDED BY 3 - .100/2.54
	DIM J	.100/2.54 X NO. OF COLUMNS DIVIDED BY 3 + .300/7.62



SECTION U-U SECTION X-X SECTION W-W



RECOMMENDED PCB LAYOUT
(ALL HOLES LOCATED ON .100 [2.54] GRID UNLESS OTHERWISE SPECIFIED)

NOTES:
1. PRODUCT NUMBERING CODE:
50303 - X YYY Z
TAIL LENGTH(NOTE 5)
NO. OF POSITIONS(NOTE 2)
PLATING(NOTE 4)
BASE NUMBER

- ② THIS PRODUCT IS CONFIGURED IN SIZES OF 30 THRU 150 COLUMNS IN INCREMENTS OF THREE. i.e.: 30,33,36,39.....147,150.
- ③ HOUSING MATERIAL: GLASS AND MINERAL FILLED THERMOPLASTIC. CONTACT MATERIAL: BeCu
- ④ PLATING CONTACT AREA OPTIONS:
1 = 30u"/.76u GOLD
3 = 50u"/1.27u GOLD
5 = 30u"/.76u GXT
ALL SOLDER TAILS TIN/LEAD
- ⑤ TAIL LENGTH OPTIONS:
E = .125±.010 / 3.18±.25
F = .145±.010 / 3.68±.25
H = .180±.010 / 4.57±.25
- ⑥ MANUFACTURE'S NAME, PART NUMBER AND LOT CODE TO APPEAR ON THIS SURFACE PER BUS-12-108.
- 7. FOR DOCUMENTATION MENU, SEE SPEC. BUS-01-057.

mat'l. code		surface ISO 1302 ✓		tolerance ISO 406 ISO 1101		projection ⊕		product family HPC	
ltr		ecn no		dr		date		title	
H								4 ROW R/A RECEPTACLE SOLDER TO BOARD, 2 G. P.	
								dwg no 50303	
								sheet 2 of 2 size A3	
								type Product Customer Drawing	
sheet index		revision sheet							