

SPECIFICATIONS

Mechanical

Mating Force: 3.06kg (6.75Lb) max.
Unmating Force: 0.19kg (0.42Lb) min.
Durability: 500 Cycles

Electrical

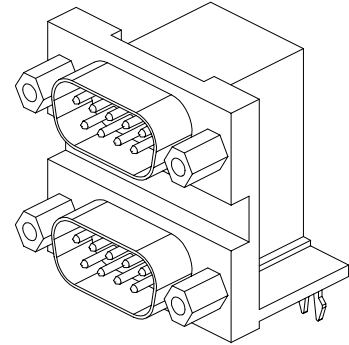
Current Rating: 2A
Contact Resistance: 35mΩ (Upper); 25 mΩ (Lower)
Dielectric Withstanding Voltage: 1000V AC/1min min.
Insulation Resistance: 5000MΩ min.

Physical

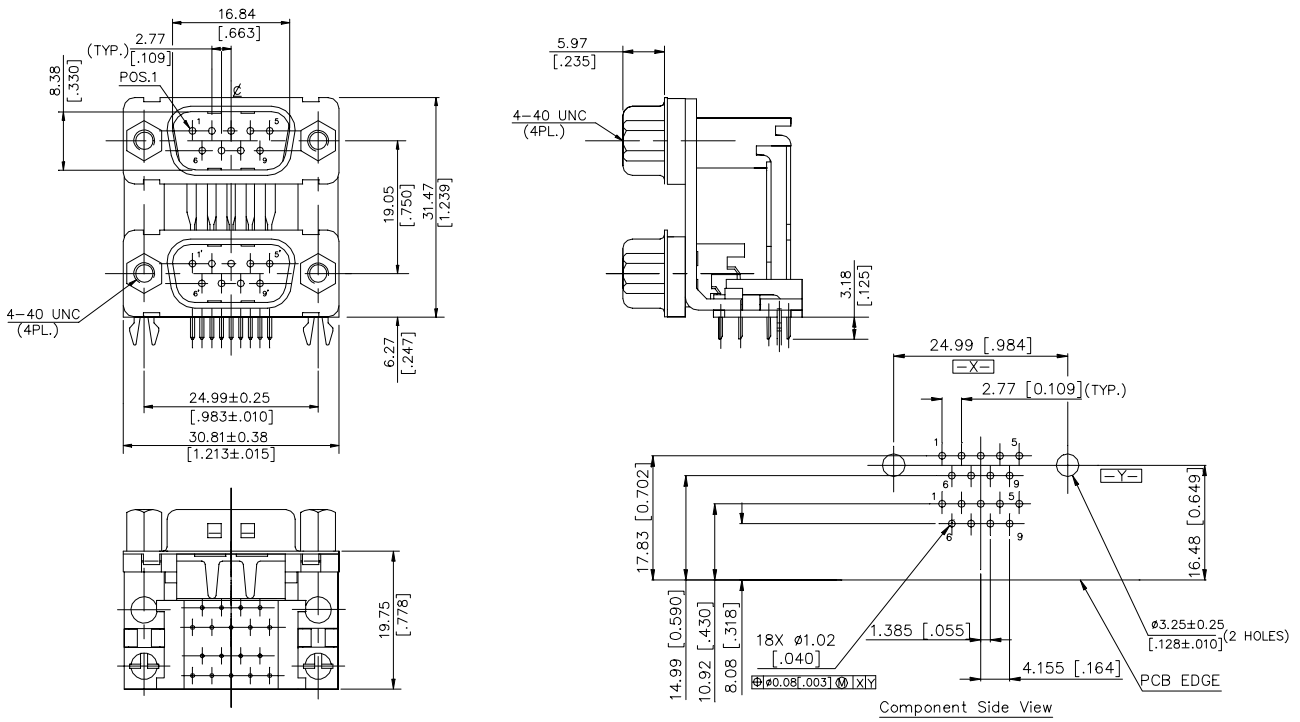
Housing: Thermoplastic, UL 94V-0 rated in Teal 322C Color
Contact: Copper alloy
Plating: See "ORDERING INFORMATION"
Operating Temperature: -55 to +105

D-SUB Connector

DM Series
Right Angle Type, T/H
2.77mm [.109"] Pitch
9 Pos. (Male) +
9 Pos. (Male)



DRAWING



ORDERING INFORMATION

