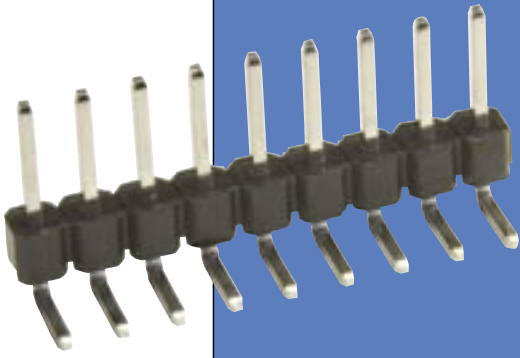


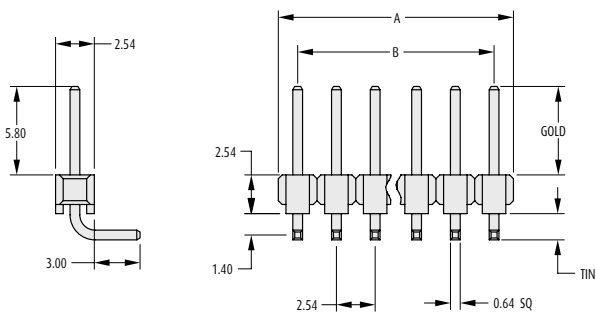
M20 Connectors

Horizontal PC Tail Male Connectors – Single Row

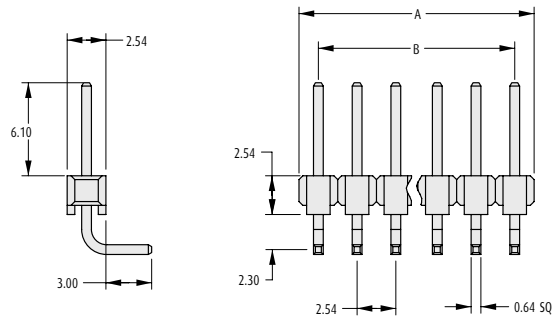


- Horizontal orientation for 90° board-to-board applications.
- Un-shrouded pin headers can be cut into smaller sizes.

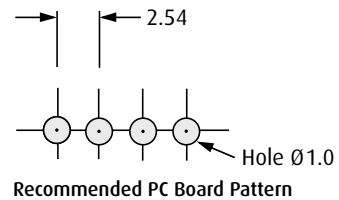
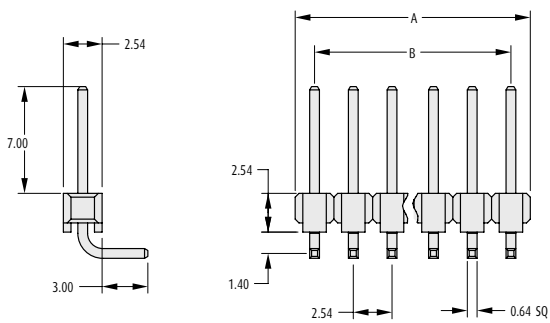
5.8mm



6.1mm



7.0mm



CALCULATION

A	2.54 x No. of ways per row
B	2.54 x (No. of ways per row - 1)

HOW TO ORDER

M20 - 9 XX XX XX

SERIES CODE

SIZE

71	7.0mm Mating Height
75	5.8mm Mating Height
96	6.1mm Mating Height

NO. OF WAYS PER ROW

02 to 40

FINISH

05	Gold (M20-971, 996)
06	Tin/Lead
22	Gold + Tin/Lead (M20-975)
42	Gold + Tin (M20-975)
45	Gold, Hi-Temp Mould (M20-971, 996)
46	Tin

www.harwin.com

