

FEATURES

- ✘ Variety of actuator lengths
- ✘ Optional ground pin
- ✘ Cap options

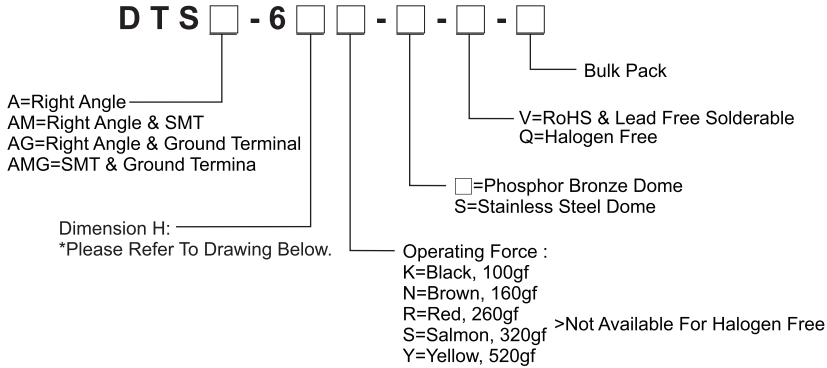
APPLICATION

- ✘ Audio, OA equipment
- ✘ Instrumentation
- ✘ Setup Box

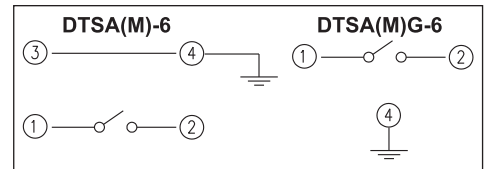
SPECIFICATION

Contact Rating	50mA, 12V DC
Contact Resistance	100mΩ max.
Insulation Resistance	100MΩ min. 500V DC
Dielectric Strength	250V AC/1 minute
Operating Force	100±50gf, Black(K) 160±50gf, Brown(N) 260±50gf, Red(R) 320±80gf, Salmon(S) 520±130gf, Yellow(Y)
Travel	0.25+0.2/-0.1mm
Operating Life	Phosphor Bronze Dome 50,000 cycles for 520/320gf 100,000 cycles for 260gf 200,000 cycles for 160/100 Stainless Steel Dome 300,000 cycles for 520/320gf 500,000 cycles for 260gf 1,000,000 cycles for 160/100gf
Operating Temp.	-25°C ~ +70°C
Storage Temp.	-30°C ~ +80°C

HOW TO ORDER



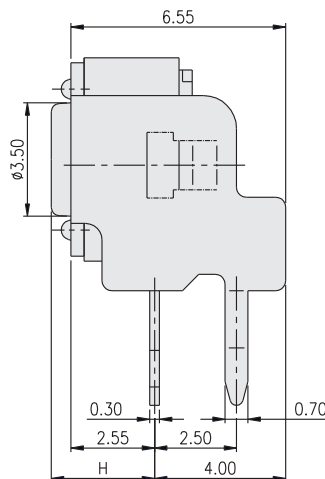
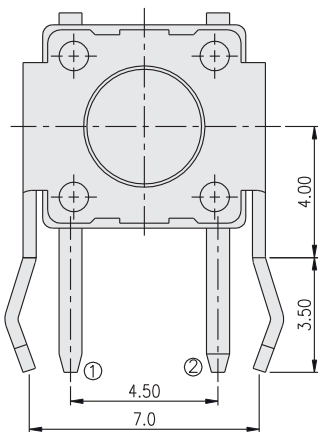
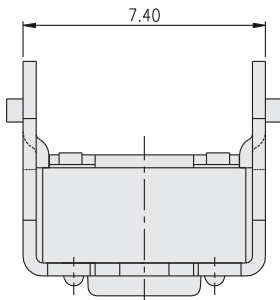
CIRCUIT



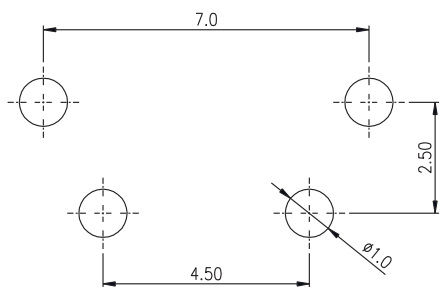
PACKAGE

- <Bag>
DTSA(G)-6: 500 pcs
- <Tape & Reel>
DTSAMG-63, 64, 65: 380 pcs/reel
DTSAMG-61, 62: 400 pcs/reel
DTSAM-61, 62, 63: 500 pcs/reel

DTSA-6

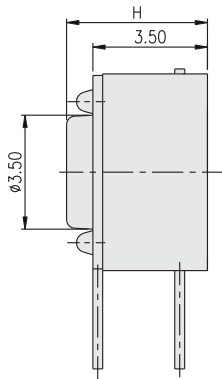
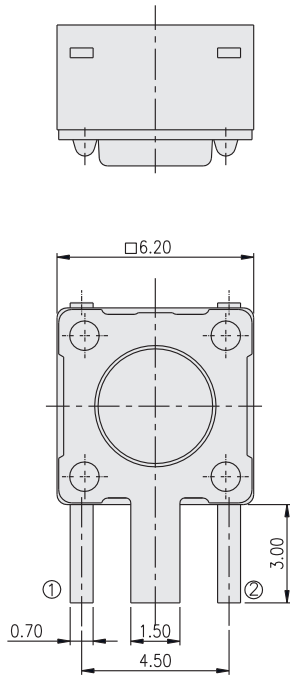


NAME	H
DTSA-61	3.15
DTSA-62	3.85
DTSA-63	5.85
DTSA-644	6.15
DTSA-648	6.15
DTSA-65	8.35
DTSA-66	11.85

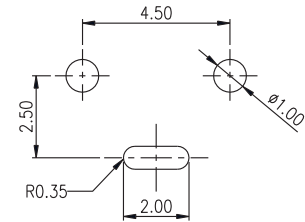


P.C.B. LAYOUT

DTSAG-6



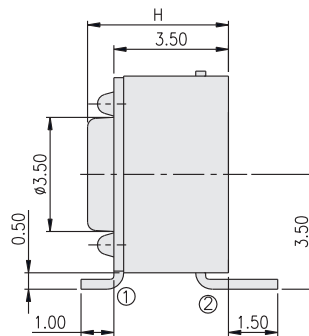
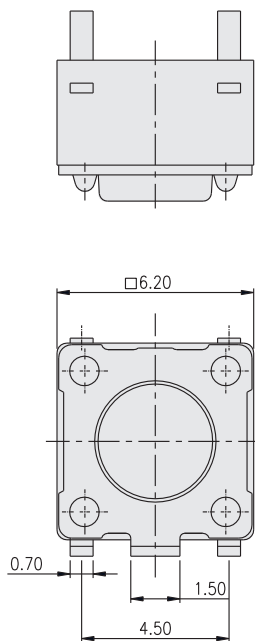
NAME	H
DTSAG-61	4.30
DTSAG-62	5.0
DTSAG-63	7.0
DTSAG-644	7.30
DTSAG-648	7.30
DTSAG-65	9.50
DTSAG-66	13.0



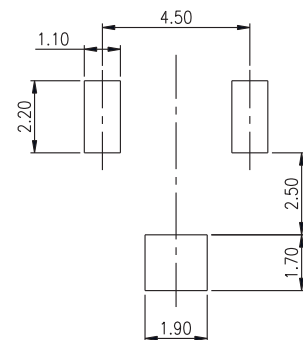
P.C.B. LAYOUT

TACT SWITCH

DTSAMG-6

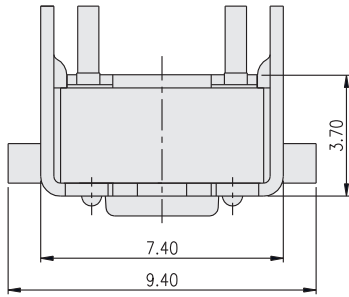


NAME	H
DTSAMG-61	4.30
DTSAMG-62	5.0
DTSAMG-63	7.0
DTSAMG-644	7.30
DTSAMG-648	7.30
DTSAMG-65	9.50
DTSAMG-66	13.0



P.C.B. LAYOUT

DTSAM-6



NAME	H
DTSAM-61	3.60
DTSAM-62	4.30
DTSAM-63	6.30
DTSAM-644	7.30
DTSAM-648	7.30
DTSAM-65	8.80

