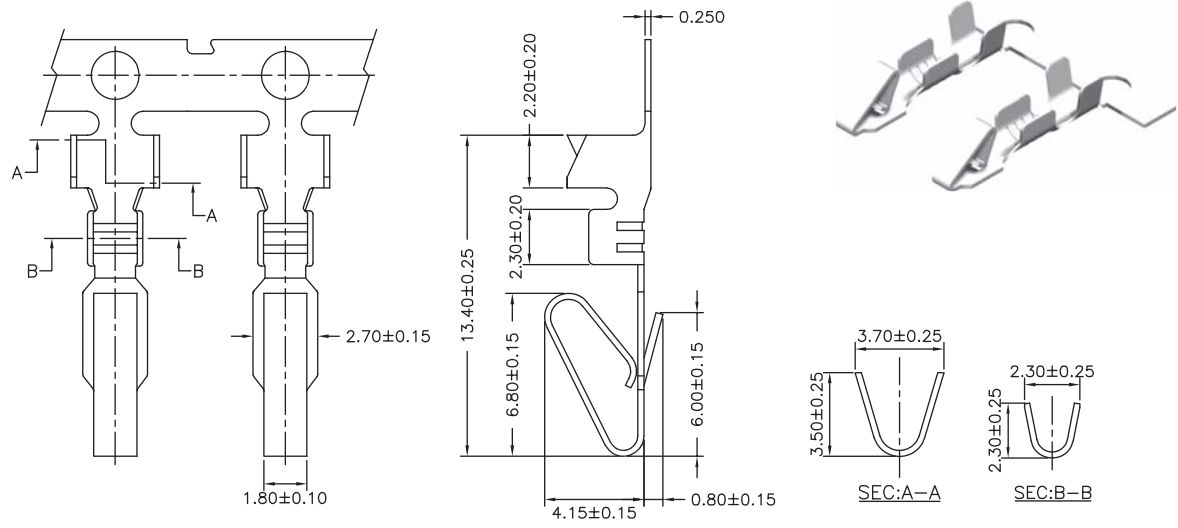




**3.96mm Terminal / Housing**



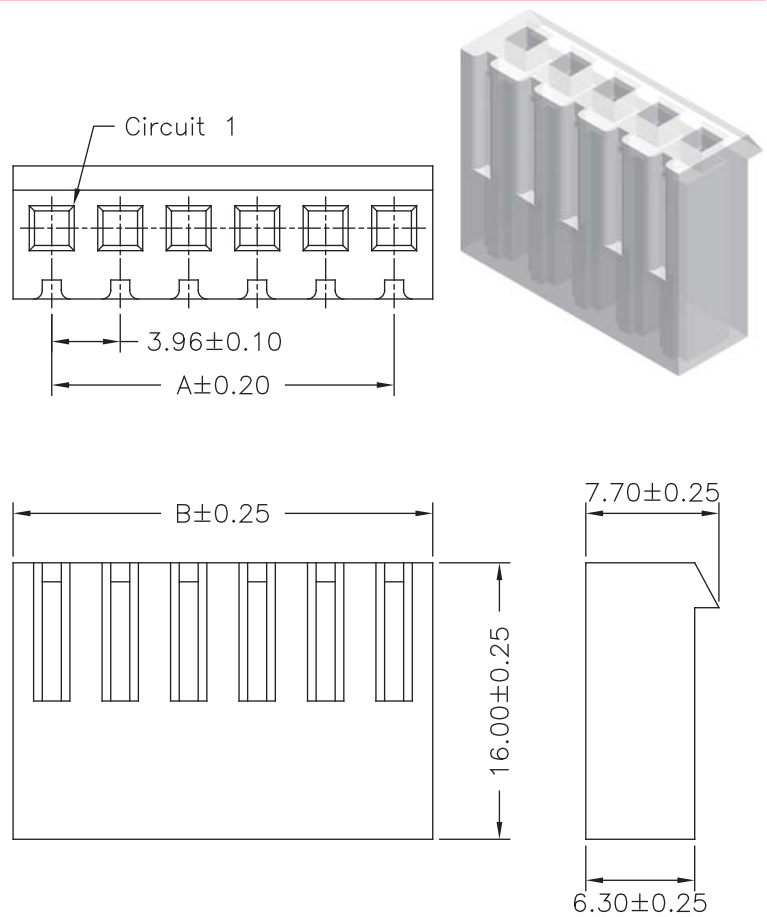
**Part No.:3961-T-L**

| Part No.   | Wire Range | Insulation O.D. | Material | Finish      |
|------------|------------|-----------------|----------|-------------|
| 3961-TTB-L | AWG#18-#24 | 2.80mm(max)     | Brass    | Tin Plated  |
| 3961-TGB-L | AWG#18-#24 | 2.80mm(max)     | Brass    | Gold Plated |

**Specifications**

Current Rating: 7A AC,DC  
 Voltage Rating: 250V AC,DC  
 Temperature Range: -25°C to +85°C  
 Contact Resistance: 10mΩ Max  
 Insulation Resistance: 1000MΩ Min  
 Withstanding Voltage: 1500V AC/minute  
 Material: Nylon 66,UL94V-2

| Part No.    | Dimensions |       |
|-------------|------------|-------|
|             | A          | B     |
| 3961H-02W-L | 3.96       | 8.43  |
| 3961H-03W-L | 7.92       | 12.39 |
| 3961H-04W-L | 11.88      | 16.35 |
| 3961H-05W-L | 15.84      | 20.31 |
| 3691H-06W-L | 19.80      | 24.27 |
| 3961H-07W-L | 23.76      | 28.23 |
| 3961H-08W-L | 27.72      | 32.19 |
| 3961H-09W-L | 31.68      | 36.15 |
| 3961H-10W-L | 35.64      | 40.11 |
| 3961H-11W-L | 39.60      | 44.07 |
| 3961H-12W-L | 43.56      | 48.03 |
| 3961H-13W-L | 47.52      | 51.99 |
| 3961H-14W-L | 51.48      | 55.95 |
| 3961H-15W-L | 55.44      | 59.91 |
| 3961H-16W-L | 59.40      | 63.87 |
| 3961H-17W-L | 63.36      | 67.83 |
| 3961H-18W-L | 67.32      | 71.79 |
| 3961H-19W-L | 71.28      | 75.75 |
| 3961H-20W-L | 75.24      | 79.71 |



**Part No.:3961H-XXW-L**

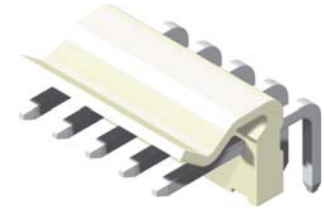
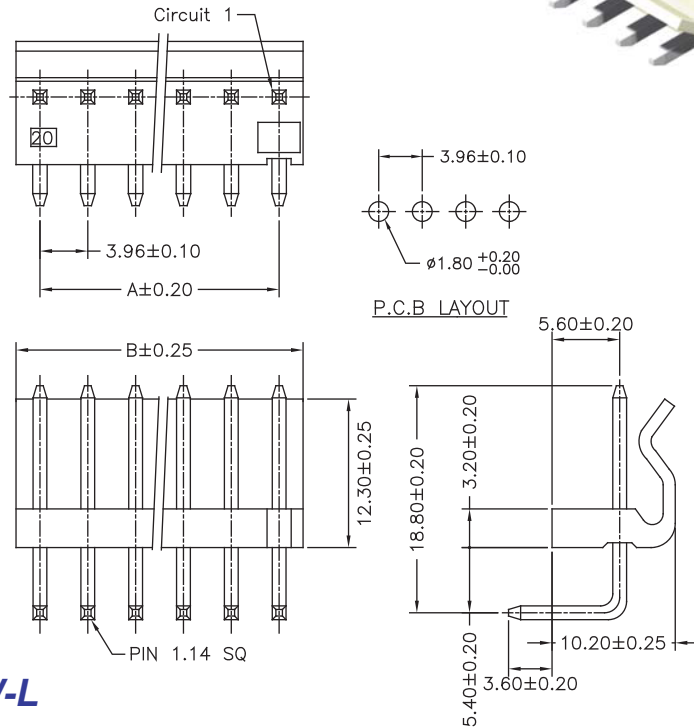


## 3.96mm Wafer Right Angle / Straight Type

### Specifications

Current Rating: 7A AC,DC  
 Voltage Rating: 250V AC,DC  
 Temperature Range: -25°C to +85°C  
 Contact Resistance: 10mΩ Max  
 Insulation Resistance: 1000MΩ Min  
 Withstanding Voltage: 1500V AC/minute  
 Terminal: Brass / Tin Plated  
 Material: Nylon 66,UL94V-2

| Part No.      | Dimensions |       |
|---------------|------------|-------|
|               | A          | B     |
| 3961RA-02TW-L | 3.96       | 7.92  |
| 3961RA-03TW-L | 7.92       | 11.88 |
| 3961RA-04TW-L | 11.88      | 15.84 |
| 3961RA-05TW-L | 15.84      | 19.80 |
| 3961RA-06TW-L | 19.80      | 23.76 |
| 3961RA-07TW-L | 23.76      | 27.72 |
| 3961RA-08TW-L | 27.72      | 31.68 |
| 3961RA-09TW-L | 31.68      | 35.64 |
| 3961RA-10TW-L | 35.64      | 39.60 |
| 3961RA-11TW-L | 39.60      | 43.56 |
| 3961RA-12TW-L | 43.56      | 47.52 |
| 3961RA-13TW-L | 47.52      | 51.48 |
| 3961RA-14TW-L | 51.48      | 55.44 |
| 3961RA-15TW-L | 55.44      | 59.40 |
| 3961RA-16TW-L | 59.40      | 63.36 |
| 3961RA-17TW-L | 63.36      | 67.32 |
| 3961RA-18TW-L | 67.32      | 71.28 |
| 3961RA-19TW-L | 71.28      | 75.24 |
| 3961RA-20TW-L | 75.24      | 79.20 |

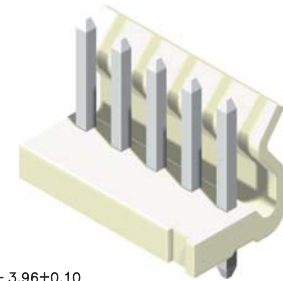
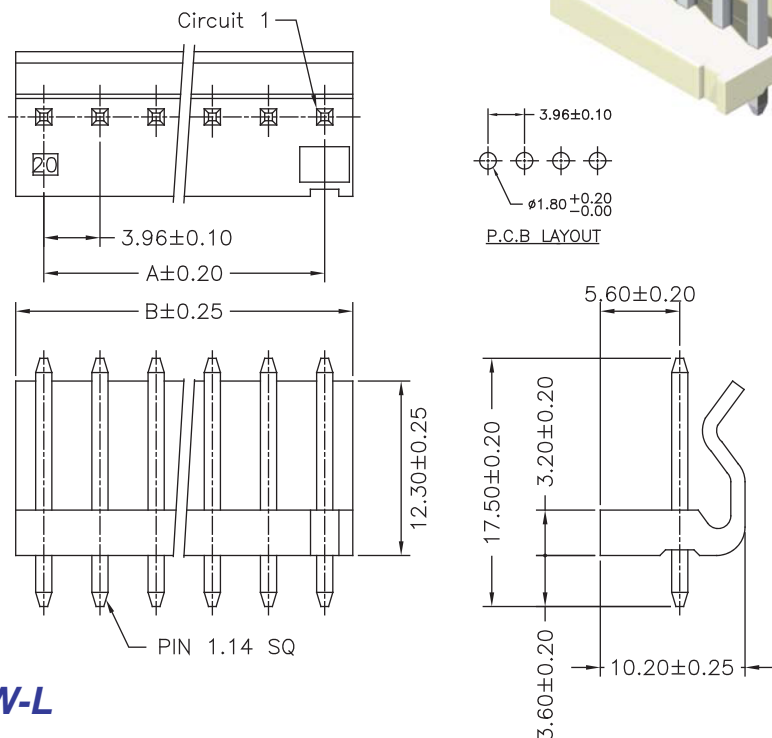


### Part No.:3961RA-XXTW-L

### Specifications

Current Rating: 7A AC,DC  
 Voltage Rating: 250V AC,DC  
 Temperature Range: -25°C to +85°C  
 Contact Resistance: 10mΩ Max  
 Insulation Resistance: 1000MΩ Min  
 Withstanding Voltage: 1500V AC/minute  
 Terminal: Brass / Tin Plated  
 Material: Nylon 66,UL94V-2

| Part No.      | Dimensions |       |
|---------------|------------|-------|
|               | A          | B     |
| 3961SA-02TW-L | 3.96       | 7.92  |
| 3961SA-03TW-L | 7.92       | 11.88 |
| 3961SA-04TW-L | 11.88      | 15.84 |
| 3961SA-05TW-L | 15.84      | 19.80 |
| 3961SA-06TW-L | 19.80      | 23.76 |
| 3961SA-07TW-L | 23.76      | 27.72 |
| 3961SA-08TW-L | 27.72      | 31.68 |
| 3961SA-09TW-L | 31.68      | 35.64 |
| 3961SA-10TW-L | 35.64      | 39.60 |
| 3961SA-11TW-L | 39.60      | 43.56 |
| 3961SA-12TW-L | 43.56      | 47.52 |
| 3961SA-13TW-L | 47.52      | 51.48 |
| 3961SA-14TW-L | 51.48      | 55.44 |
| 3961SA-15TW-L | 55.44      | 59.40 |
| 3961SA-16TW-L | 59.40      | 63.36 |
| 3961SA-17TW-L | 63.36      | 67.32 |
| 3961SA-18TW-L | 67.32      | 71.28 |
| 3961SA-19TW-L | 71.28      | 75.24 |
| 3961SA-20TW-L | 75.24      | 79.20 |



### Part No.:3961SA-XXTW-L

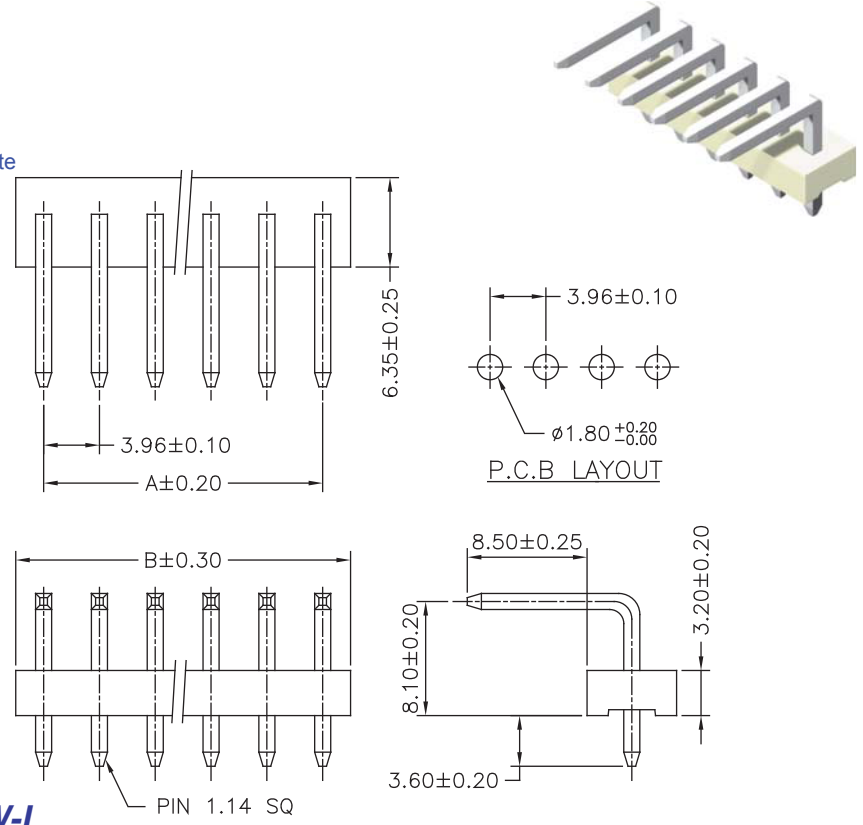


**3.96mm Wafer W/O Ramp Right Angle / Straight Type**

**Specifications**

Current Rating: 7A AC,DC  
 Voltage Rating: 250V AC,DC  
 Temperature Range: -25°C to +85°C  
 Contact Resistance: 10mΩ Max  
 Insulation Resistance: 1000MΩ Min  
 Withstanding Voltage: 1500V AC/minute  
 Terminal: Brass / Tin Plated  
 Material: Nylon 66,UL94V-2

| Part No.      | Dimensions |       |
|---------------|------------|-------|
|               | A          | B     |
| 3961RB-02TW-L | 3.96       | 7.92  |
| 3961RB-03TW-L | 7.92       | 11.88 |
| 3961RB-04TW-L | 11.88      | 15.84 |
| 3961RB-05TW-L | 15.84      | 19.80 |
| 3961RB-06TW-L | 19.80      | 23.76 |
| 3961RB-07TW-L | 23.76      | 27.72 |
| 3961RB-08TW-L | 27.72      | 31.68 |
| 3961RB-09TW-L | 31.68      | 35.64 |
| 3961RB-10TW-L | 35.64      | 39.60 |
| 3961RB-11TW-L | 39.60      | 43.56 |
| 3961RB-12TW-L | 43.56      | 47.52 |
| 3961RB-13TW-L | 47.52      | 51.48 |
| 3961RB-14TW-L | 51.48      | 55.44 |
| 3961RB-15TW-L | 55.44      | 59.40 |
| 3961RB-16TW-L | 59.40      | 63.36 |
| 3961RB-17TW-L | 63.36      | 67.32 |
| 3961RB-18TW-L | 67.32      | 71.28 |
| 3961RB-19TW-L | 71.28      | 75.24 |
| 3961RB-20TW-L | 75.24      | 79.20 |

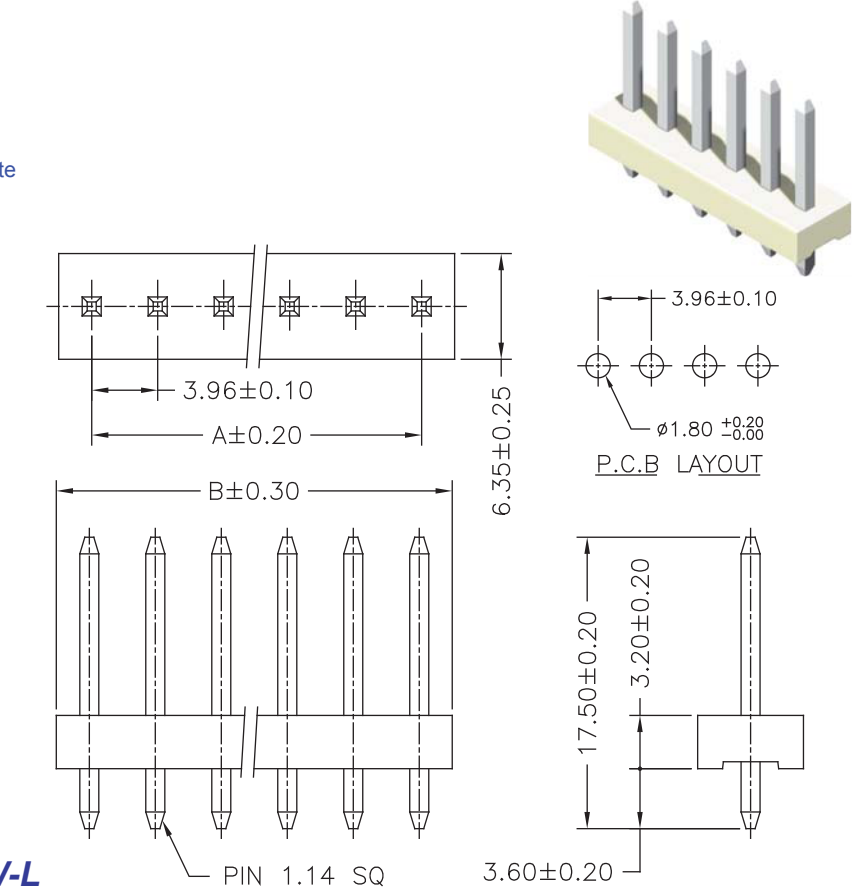


**Part No.:3961RB-XXTW-L**

**Specifications**

Current Rating: 7A AC,DC  
 Voltage Rating: 250V AC,DC  
 Temperature Range: -25°C to +85°C  
 Contact Resistance: 10mΩ Max  
 Insulation Resistance: 1000MΩ Min  
 Withstanding Voltage: 1500V AC/minute  
 Terminal: Brass / Tin Plated  
 Material: Nylon 66,UL94V-2

| Part No.      | Dimensions |       |
|---------------|------------|-------|
|               | A          | B     |
| 3961SB-02TW-L | 3.96       | 7.92  |
| 3961SB-03TW-L | 7.92       | 11.88 |
| 3961SB-04TW-L | 11.88      | 15.84 |
| 3961SB-05TW-L | 15.84      | 19.80 |
| 3961SB-06TW-L | 19.80      | 23.76 |
| 3961SB-07TW-L | 23.76      | 27.72 |
| 3961SB-08TW-L | 27.72      | 31.68 |
| 3961SB-09TW-L | 31.68      | 35.64 |
| 3961SB-10TW-L | 35.64      | 39.60 |
| 3961SB-11TW-L | 39.60      | 43.56 |
| 3961SB-12TW-L | 43.56      | 47.52 |
| 3961SB-13TW-L | 47.52      | 51.48 |
| 3961SB-14TW-L | 51.48      | 55.44 |
| 3961SB-15TW-L | 55.44      | 59.40 |
| 3961SB-16TW-L | 59.40      | 63.36 |
| 3961SB-17TW-L | 63.36      | 67.32 |
| 3961SB-18TW-L | 67.32      | 71.28 |
| 3961SB-19TW-L | 71.28      | 75.24 |
| 3961SB-20TW-L | 75.24      | 79.20 |



**Part No.:3961SB-XXTW-L**