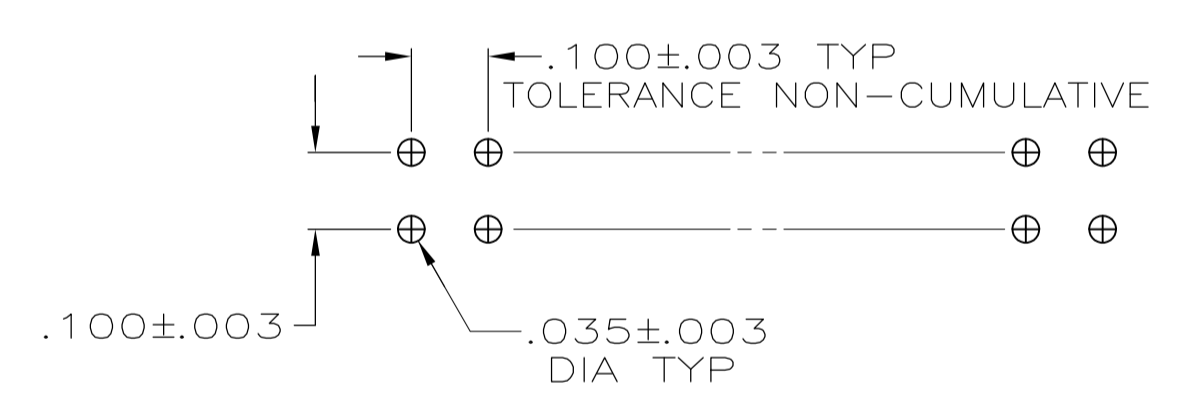
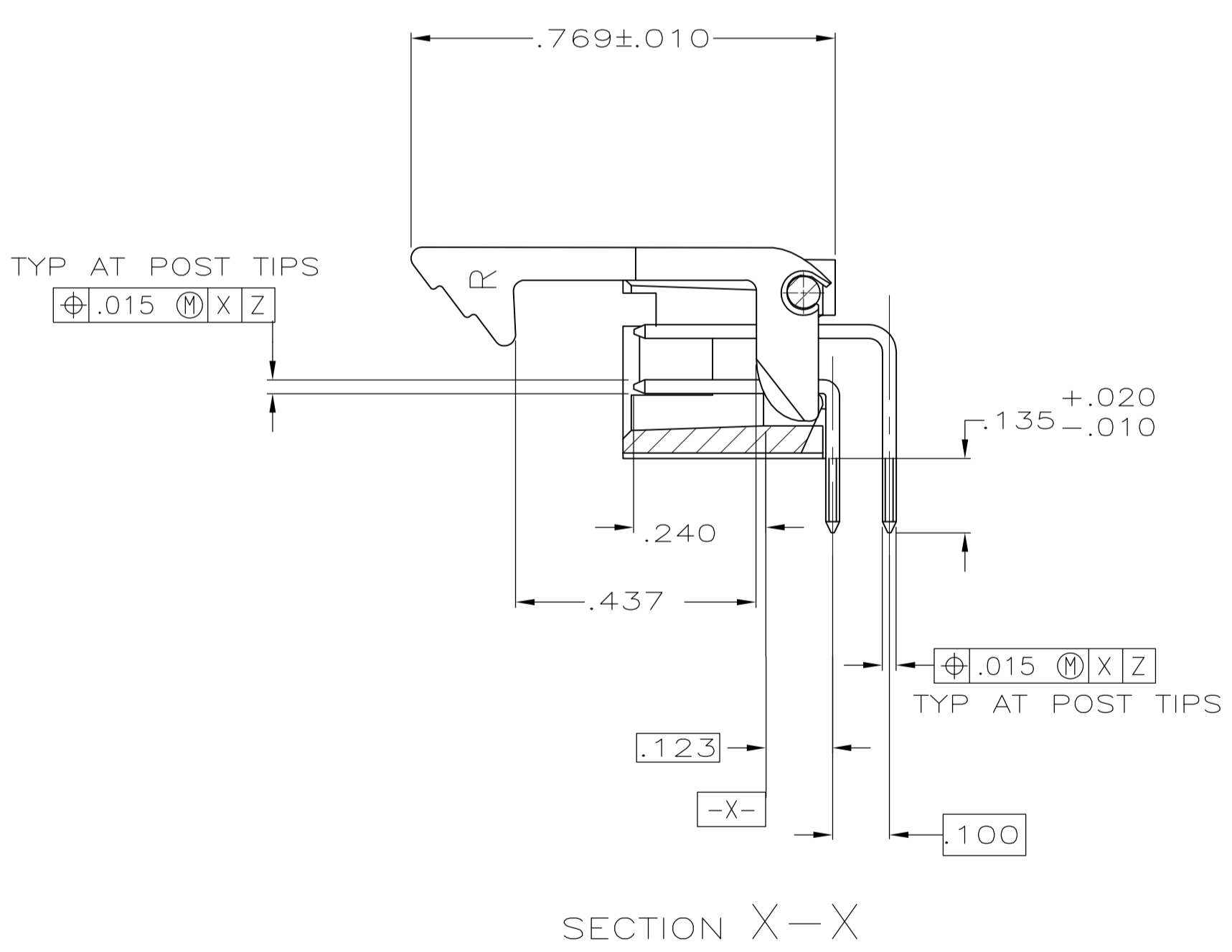
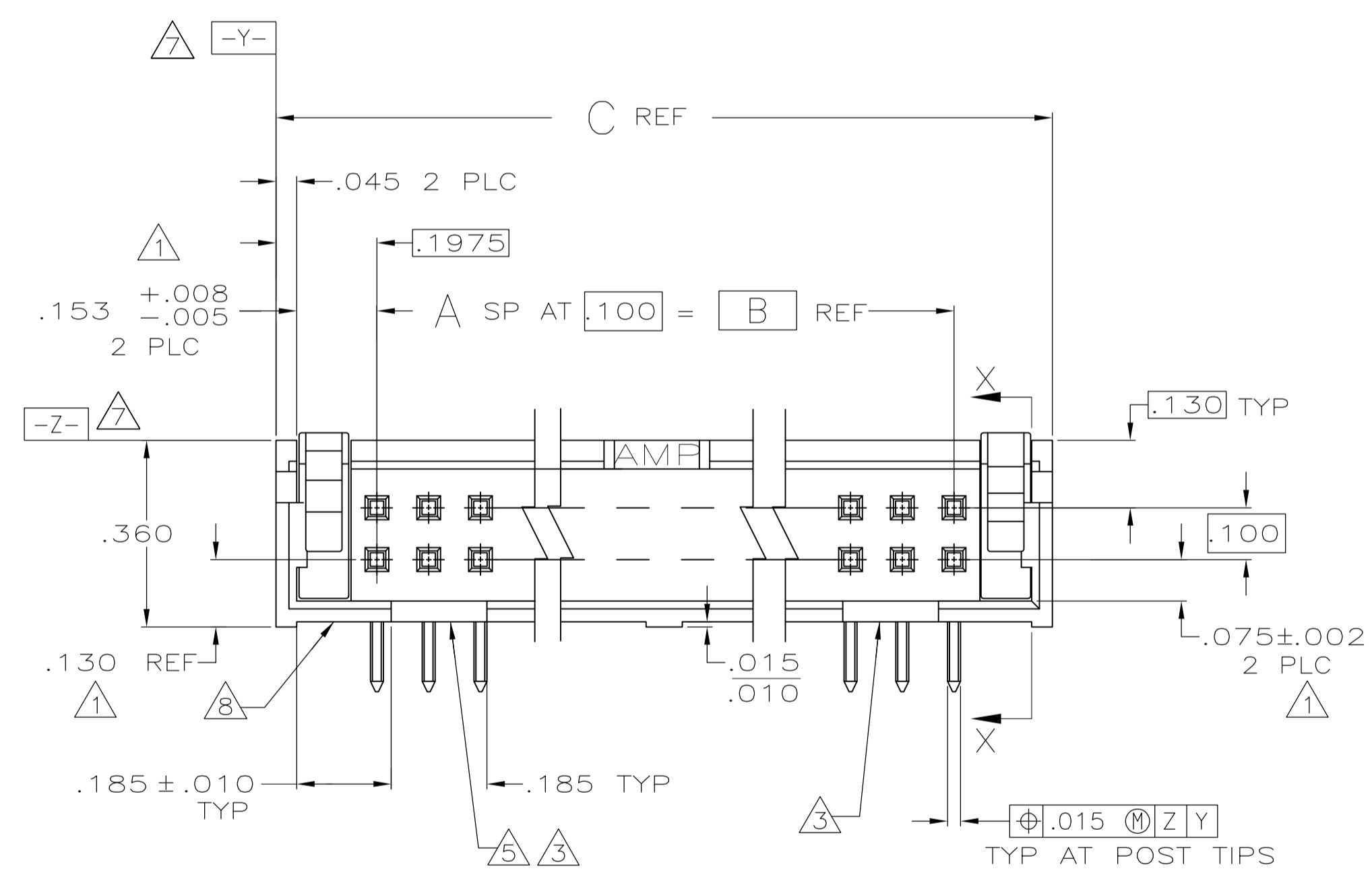


- 1 THE NOTED DIMENSIONS APPLY AT THE INTERSECTION OF THE POST AND HOUSING
- 2 GOLD FLASH OVER
 PALLADIUM-NICKEL PLATE, .000030 MIN TOTAL ON THE MATING SURFACES,
 .000100 MIN TIN-LEAD PLATE ON THE SOLDER-TAIL,
 .000050 MIN NICKEL UNDERPLATE ON THE ENTIRE POST.
 OR
 .000030 MIN GOLD PLATE ON THE MATING SURFACES,
 .000100 MIN TIN-LEAD PLATE ON THE SOLDER-TAIL,
 .000050 MIN NICKEL UNDERPLATE ON THE ENTIRE POST.
- 3 DOUBLE BAR POLARIZATION
- 4 CENTER POLARIZATION SLOT
- 5 FOR 10 POSN ASSEMBLY, SLOT OMITTED WHERE INDICATED
- 6 NUMBER 1 POSITION INDICATOR.
- 7 DATUMS $\boxed{-Y-}$ AND $\boxed{-Z-}$ APPLY AT THE BASE OF THE SHROUD WALL.
- 8 OPTIONAL AMP IDENTIFICATION NUMBER (DATE CODE).
 LOCATION APPROXIMATELY WHERE SHOWN.
- 9 MATERIAL: HOUSING: GLASS FILLED NYLON, FLAME RETARDANT, BLACK.
 POSTS: BRASS.



RECOMMENDED HOLE LAYOUT FOR MANUAL INSERTION

	3.300	2.900	29	60	1-104315-0
	2.800	2.400	24	50	104315-9
OBSOLETE	2.500	2.100	21	44	104315-8
	2.300	1.900	19	40	104315-7
	2.000	1.600	16	34	104315-6
OBSOLETE	1.600	1.200	12	26	104315-5
OBSOLETE	1.300	.900	9	20	104315-4
	1.100	.700	7	16	104315-3
OBSOLETE	1.000	.600	6	14	104315-2
OBSOLETE	.800	.400	4	10	104315-1

C	B	A	NO OF POSN	ASSEMBLY PART NUMBER
---	---	---	------------	----------------------

THIS DRAWING IS A CONTROLLED DOCUMENT.

DIMENSIONS: INCHES	TOLERANCES UNLESS OTHERWISE SPECIFIED:	DWG NO: 1-26-88	DATE: 1-26-88	DESIGNED BY: DOUTY	APPROVED BY: R FEJDT	NAME: R FEJDT	TYCO ELECTRONICS	TYCO ELECTRONICS CORPORATION HARRISBURG, PA 17105-3608
0 PLC ± -	1 PLC ± -	PRODUCT SPEC: 108-40018	APPLICATION SPEC: -	SIZE: A1	CAGE CODE: 00779	DRAWING NO: 104315	RESTRICTED TO: -	
1 PLC ± -	2 PLC ± -	WEIGHT: -	CUSTOMER DRAWING	SCALE: 4:1	SHEET: 1 OF 1	REV: M		