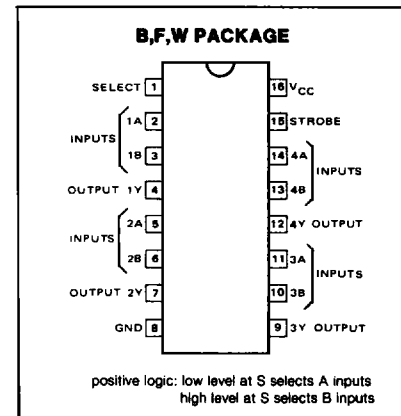


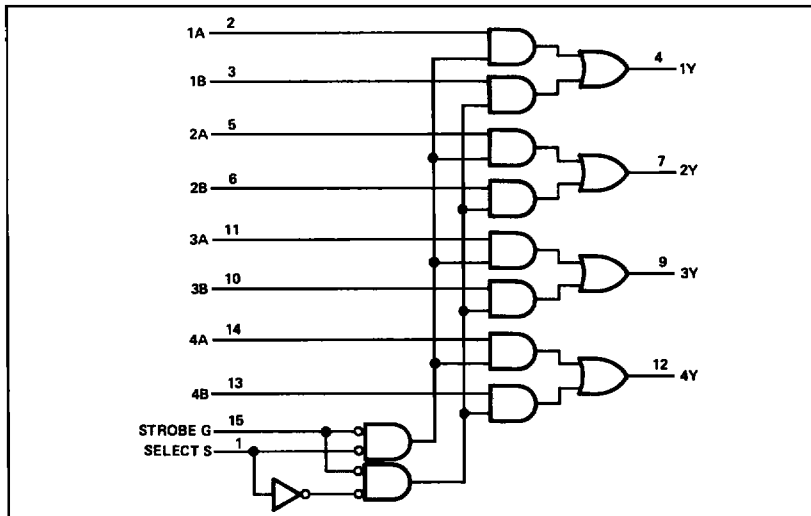
SPEED/PACKAGE AVAILABILITY

54 F,W	74 B,F
54LS F,W	74LS B,F
54S F,W	74S B,F

PIN CONFIGURATION



BLOCK DIAGRAM



TRUTH TABLE

INPUTS				OUTPUT Y
STROBE	SELECT	A	B	
H	X	X	X	L
L	L	L	X	L
L	L	H	X	H
L	H	X	L	L
L	H	X	H	H

H = high level, L = low level, X = irrelevant

SWITCHING CHARACTERISTICS $V_{CC} = 5V, T_A = 25^\circ C$

TEST CONDITIONS				54/74			54/74LS			54/74S			UNIT
				$C_L = 15pF$ $R_L = 400\Omega$			$C_L = 15pF$ $R_L = 2k\Omega$			$C_L = 15pF$ $R_L = 280\Omega$			
PARAMETER	FROM INPUT	TO OUTPUT	MIN	TYP	MAX	MIN	TYP	MAX	MIN	TYP	MAX		
Propagation delay time													
t _{PLH}	Low-to-high	Data		9	14		9	14		5	7.5	ns	
t _{PHL}	High-to-low			9	14		9	14		4.5	6.5		
t _{PLH}	Low-to-high	Enable		13	20								
t _{PHL}	High-to-low			14	21								
t _{PLH}	Low-to-high	Select		15	23		15	23		9.5	15		
t _{PHL}	High-to-low			18	27		8	27		9.5	15		
t _{PLH}	Low-to-high	Strobe					13	20		8.5	12.5		
t _{PHL}	High-to-low						14	21		7.5	12		

Load circuit and typical waveforms are shown at the front of section.

10901