

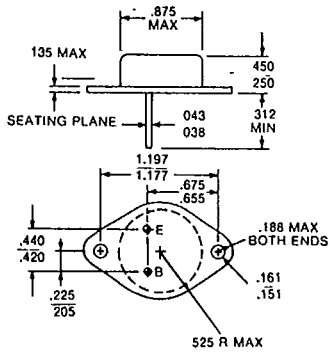
Type	Polarity	I <sub>c</sub> Max Amps	V <sub>CE0</sub> (SUS) Volts	Package
2N5348	NPN	7.0	100	TO-111
2N5349	NPN	7.0	100	TO-111
2N5349	NPN	7.0	100	TO-111
2N5384	PNP	5.0	80	TO-111
2N5385	PNP	5.0	80	TO-111
2N5386	PNP	12.0	80	TO-61
2N5388	NPN	7.5	250	TO-61
2N5389	NPN	7.5	300	TO-61
2N5404	PNP	5.0	80	TO-5
2N5405	PNP	5.0	100	TO-5
2N5406	PNP	5.0	80	TO-5
2N5407	PNP	5.0	100	TO-5
2N5408	PNP	5.0	80	TO-111
2N5409	PNP	5.0	100	TO-111
2N5410	PNP	5.0	80	TO-111
2N5411	PNP	5.0	100	TO-111
2N5412	NPN	15.0	60	TO-61
2N5427	NPN	7.0	80	TO-66
2N5428	NPN	7.0	80	TO-66
2N5429	NPN	7.0	100	TO-66
2N5430	NPN	7.0	100	TO-66
2N5466	NPN	3.0	400	TO-3
2N5467	NPN	3.0	400	TO-3
2N5468	NPN	3.0	400	TO-66
2N5469	NPN	3.0	400	TO-66
2N5477	NPN	7.0	80	TO-111/TO-59
2N5478	NPN	7.0	80	TO-111/TO-59
2N5479	NPN	7.0	100	TO-111/TO-59
2N5480	NPN	7.0	100	TO-111/TO-59
2N5487	NPN	5.0	80	TO-5
2N5488	NPN	5.0	100	TO-5
2N5489	NPN	40.0	100	TO-114
2N5537	NPN	20.0	75	TO-61
2N5538	NPN	20.0	75	TO-61
2N5539	NPN	20.0	130	TO-63
2N5540	NPN	10.0	300	TO-61
2N5541	NPN	5.0	130	TO-39/TO-5
2N5542	NPN	10.0	130	TO-61
2N5552	NPN	10.0	80	TO-5
2N5559	NPN	10.0	120	TO-3
2N5560	NPN	30.0	120	TO-63
2N5584	NPN	30.0	180	TO-63
2N5587	NPN	80.0	120	TO-114
2N5588	NPN	80.0	160	TO-114
2N5597	PNP	2.0	60	TO-66
2N5598	NPN	2.0	60	TO-66
2N5599	PNP	2.0	80	TO-66
2N5600	NPN	2.0	80	TO-66
2N5601	PNP	2.0	80	TO-66
2N5602	NPN	2.0	80	TO-66
2N5603	PNP	2.0	100	TO-66
2N5604	NPN	2.0	100	TO-66
2N5605	PNP	5.0	60	TO-66
2N5606	NPN	5.0	60	TO-66
2N5607	PNP	5.0	80	TO-66

Type	Polarity	I <sub>c</sub> Max Amps	V <sub>CE0</sub> (SUS) Volts	Package
2N5608	NPN	5.0	80	TO-66
2N5609	PNP	5.0	80	TO-66
2N5610	NPN	5.0	80	TO-66
2N5611	PNP	5.0	100	TO-66
2N5612	NPN	5.0	100	TO-66
2N5613	PNP	5.0	60	TO-3
2N5614	NPN	5.0	60	TO-3
2N5615	PNP	5.0	80	TO-3
2N5616	NPN	5.0	80	TO-3
2N5617	PNP	5.0	80	TO-3
2N5618	NPN	5.0	80	TO-3
2N5619	PNP	5.0	100	TO-3
2N5620	NPN	5.0	100	TO-3
2N5621	PNP	10.0	60	TO-3
2N5622	NPN	10.0	60	TO-3
2N5623	PNP	10.0	80	TO-3
2N5624	NPN	10.0	80	TO-3
2N5625	PNP	10.0	80	TO-3
2N5626	NPN	10.0	80	TO-3
2N5627	PNP	10.0	100	TO-3
2N5628	NPN	10.0	100	TO-3
2N5629	NPN	16.0	100	TO-3
2N5630	NPN	16.0	120	TO-3
2N5631	NPN	16.0	140	TO-3
2N5632	NPN	10.0	100	TO-3
2N5633	NPN	10.0	120	TO-3
2N5634	NPN	10.0	140	TO-3
2N5658	NPN	10.0	80	TO-59
2N5659	NPN	10.0	80	TO-111
2N5660	NPN	1.0	200	TO-66
2N5661	NPN	1.0	300	TO-66
2N5662	NPN	1.0	200	TO-5
2N5663	NPN	1.0	300	TO-5
2N5664	NPN	3.0	200	TO-66
2N5665	NPN	3.0	300	TO-66
2N5666	NPN	3.0	200	TO-5
2N5667	NPN	3.0	300	TO-5
2N5671	NPN	30.0	120	TO-3
2N5672	NPN	30.0	150	TO-3
2N5675	PNP	2.0	100	TO-5
2N5676	PNP	2.0	100	TO-66
2N5677	PNP	10.0	100	TO-61
2N5678	PNP	20.0	100	TO-63
2N5679	PNP	1.0	100	TO-5
2N5680	PNP	1.0	120	TO-5
2N5681	NPN	1.0	100	TO-5
2N5682	NPN	1.0	120	TO-5
2N5683	PNP	50.0	60	TO-3
2N5684	PNP	50.0	80	TO-3
2N5685	NPN	1.0	120	TO-5
2N5686	NPN	50.0	80	TO-3
2N5729	NPN	5.0	80	TO-39/TO-5
2N5730	NPN	10.0	80	TO-111
2N5731	NPN	20.0	80	TO-61
2N5732	NPN	20.0	80	TO-3

For additional JEDEC 2NXXXX, see numerical index on page 9.

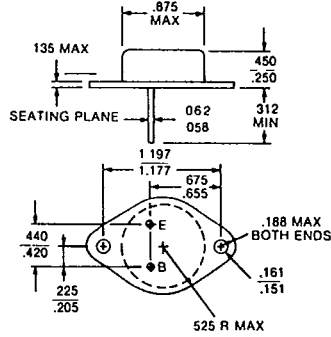
PACKAGE DESCRIPTIONS AND OUTLINE DRAWINGS

TO-3 PACKAGE



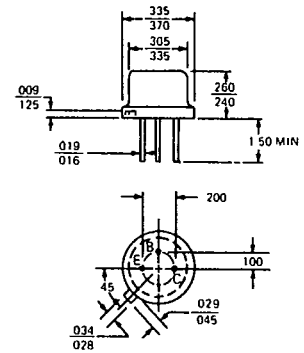
Collector is connected to case.

MODIFIED TO-3 PACKAGE  
(60 mil pins)



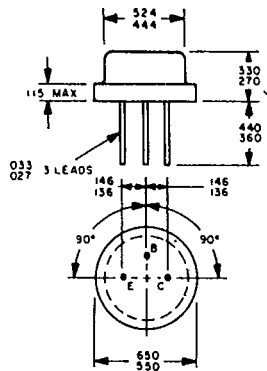
Collector is connected to case.

TO-5 PACKAGE



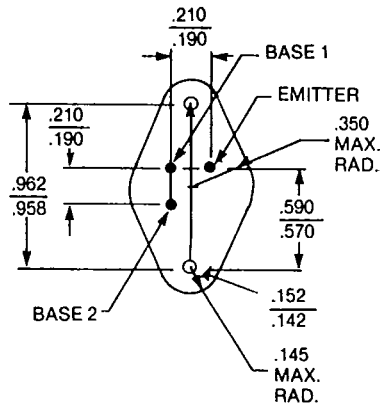
Collector is connected to case.

TO-8 PACKAGE



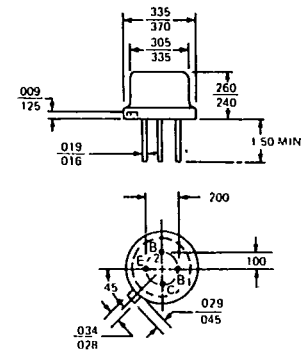
Collector is connected to case.

F-24 PACKAGE  
(3-LEADED TO-66)



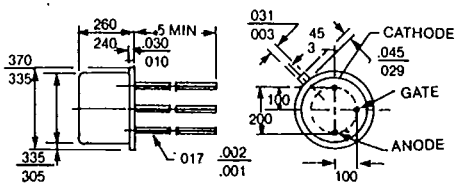
Collector is connected to case.

TO-33 PACKAGE



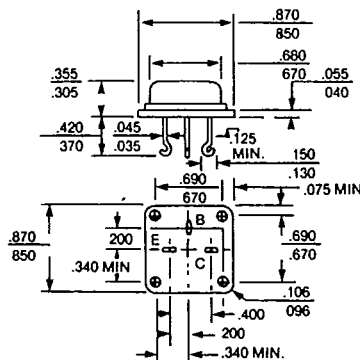
Collector is connected to case.

TO-39 PACKAGE



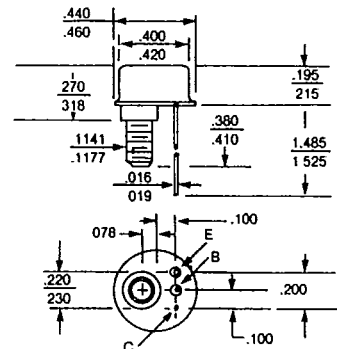
Collector is connected to case.

TO-53 PACKAGE



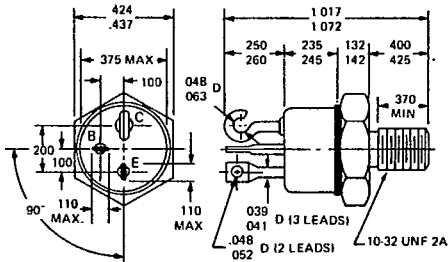
Collector is connected to case.

TO-57 PACKAGE



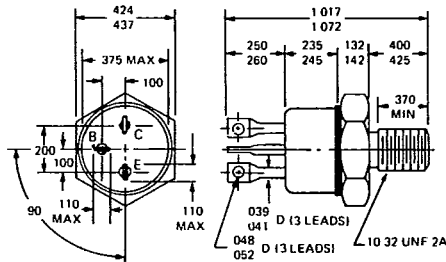
Collector is connected to case.

**TO-59 PACKAGE**



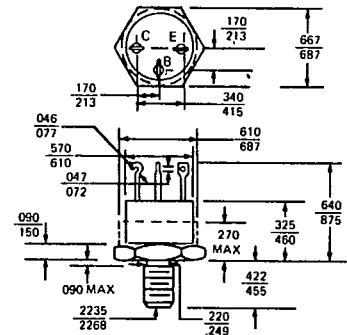
Collector is connected to case.

**TO-59 PACKAGE ISOLATED COLLECTOR**



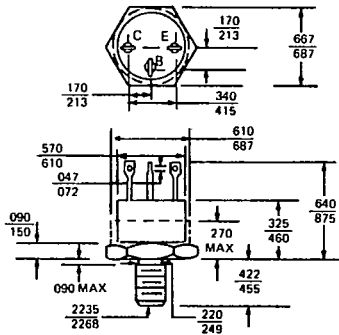
Collector is electrically isolated from case.

**TO-61 PACKAGE**



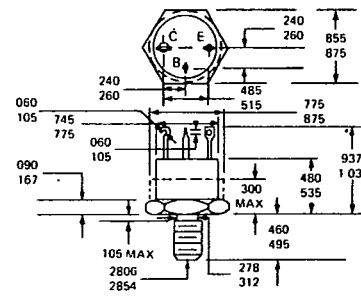
Collector is connected to case.

**TO-61 PACKAGE ISOLATED COLLECTOR**



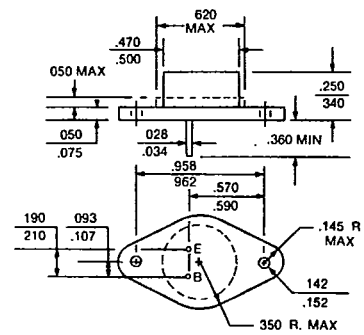
Collector is electrically isolated from case.

**TO-63 PACKAGE**



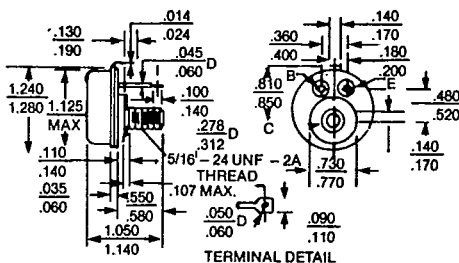
Collector is connected to case.

**TO-66 PACKAGE**



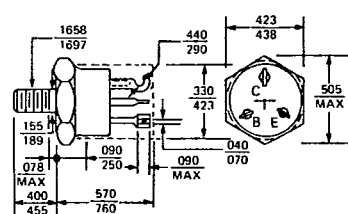
Collector is connected to case.

**TO-82 PACKAGE**



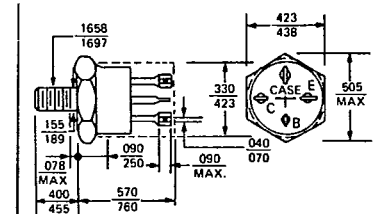
Collector is connected to case.

**TO-111 PACKAGE**



Collector is connected to case.

**TO-111 PACKAGE ISOLATED COLLECTOR**



Collector is electrically isolated from case.