

# DATA SHEET

## **PCA82C251**

### **CAN transceiver for 24 V systems**

Product specification  
Supersedes data of 1997 Mar 14  
File under Integrated Circuits, IC18

2000 Jan 13

**CAN transceiver for 24 V systems****PCA82C251****FEATURES**

- Fully compatible with the "ISO 11898-24 V" standard
- Slope control to reduce RFI
- Thermally protected
- Short-circuit proof to battery and ground in 24 V powered systems
- Low-current standby mode
- An unpowered node does not disturb the bus lines
- At least 110 nodes can be connected
- High speed (up to 1 Mbaud)
- High immunity against electromagnetic interference.

**GENERAL DESCRIPTION**

The PCA82C251 is the interface between the CAN protocol controller and the physical bus. It is primarily intended for applications (up to 1 Mbaud) in trucks and buses. The device provides differential transmit capability to the bus and differential receive capability to the CAN controller.

**QUICK REFERENCE DATA**

SYMBOL	PARAMETER	CONDITIONS	MIN.	MAX.	UNIT
$V_{CC}$	supply voltage		4.5	5.5	V
$I_{CC}$	supply current	standby mode	–	275	$\mu$ A
$1/t_{bit}$	maximum transmission speed	non-return-to-zero	1	–	Mbaud
$V_{CAN}$	CANH, CANL input/output voltage		–36	+36	V
$V_{diff}$	differential bus voltage		1.5	3.0	V
$T_{amb}$	ambient temperature		–40	+125	$^{\circ}$ C

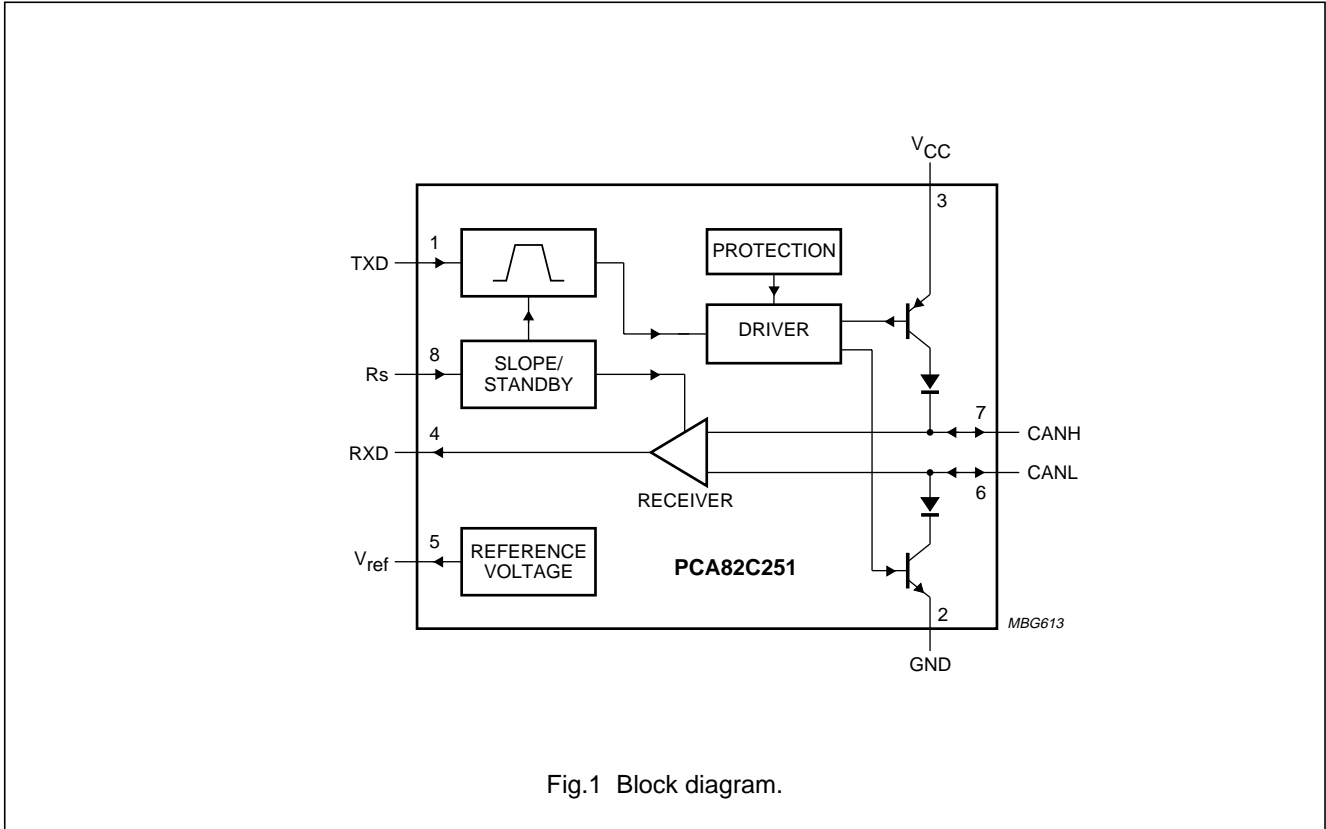
**ORDERING INFORMATION**

TYPE NUMBER	PACKAGE		
	NAME	DESCRIPTION	CODE
PCA82C251	DIP8	plastic dual in-line package; 8 leads (300 mil)	SOT97-1
PCA82C251T	SO8	plastic small outline package; 8 leads body width 3.9 mm	SOT96-1
PCA82C251U	–	bare die; 2840 $\times$ 1780 $\times$ 380 $\mu$ m	–

CAN transceiver for 24 V systems

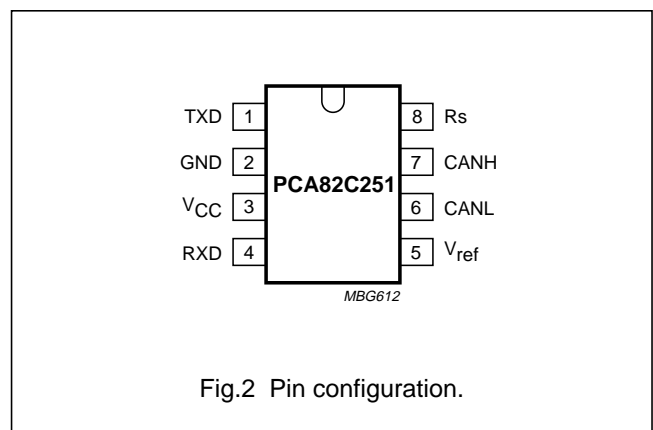
PCA82C251

BLOCK DIAGRAM



PINNING

SYMBOL	PIN	DESCRIPTION
TXD	1	transmit data input
GND	2	ground
V <sub>CC</sub>	3	supply voltage
RXD	4	receive data output
V <sub>ref</sub>	5	reference voltage output
CANL	6	LOW-level CAN voltage input/output
CANH	7	HIGH-level CAN voltage input/output
Rs	8	slope resistor input



## CAN transceiver for 24 V systems

## PCA82C251

**FUNCTIONAL DESCRIPTION**

The PCA82C251 is the interface between the CAN protocol controller and the physical bus. It is primarily intended for applications up to 1 Mbaud in trucks and buses. The device provides differential transmit capability to the bus and differential receive capability to the CAN controller. It is fully compatible with the "ISO 11898-24 V" standard.

A current limiting circuit protects the transmitter output stage against short-circuit to positive and negative battery voltage. Although the power dissipation is increased during this fault condition, this feature will prevent destruction of the transmitter output stage.

If the junction temperature exceeds a value of approximately 160 °C, the limiting current of both transmitter outputs is decreased. Because the transmitter is responsible for the major part of the power dissipation, this will result in a reduced power dissipation and hence a lower chip temperature. All other parts of the IC will remain operating. The thermal protection is particularly needed when a bus line is short-circuited.

The CANH and CANL lines are also protected against electrical transients which may occur in an automotive environment.

Pin 8 (Rs) allows three different modes of operation to be selected: high-speed, slope control or standby.

For high-speed operation, the transmitter output transistors are simply switched on and off as fast as possible. In this mode, no measures are taken to limit the rise and fall slope. Use of a shielded cable is recommended to avoid RFI problems. The high-speed mode is selected by connecting pin 8 to ground.

The slope control mode allows the use of an unshielded twisted pair or a parallel pair of wires as bus lines. To reduce RFI, the rise and fall slope should be limited. The rise and fall slope can be programmed with a resistor connected from pin 8 to ground. The slope is proportional to the current output at pin 8.

If a HIGH level is applied to pin 8, the circuit enters a low current standby mode. In this mode, the transmitter is switched off and the receiver is switched to a low current. If dominant bits are detected (differential bus voltage >0.9 V), RXD will be switched to a LOW level. The microcontroller should react to this condition by switching the transceiver back to normal operation (via pin 8). Because the receiver is slower in standby mode, the first message will be lost at higher bit rates.

**Table 1** Truth table of the CAN transceiver

V <sub>CC</sub>	TXD	CANH	CANL	BUS STATE	RXD
4.5 to 5.5 V	0	HIGH	LOW	dominant	0
4.5 to 5.5 V	1 (or floating)	floating	floating	recessive	1 <sup>(2)</sup>
4.5 < V <sub>CC</sub> < 5.5 V	X <sup>(1)</sup>	floating if V <sub>Rs</sub> > 0.75V <sub>CC</sub>	floating if V <sub>Rs</sub> > 0.75V <sub>CC</sub>	floating	1 <sup>(2)</sup>
0 < V <sub>CC</sub> < 4.5 V	floating	floating	floating	floating	X <sup>(1)</sup>

**Notes**

1. X = don't care.
2. If another bus node is transmitting a dominant bit, then RXD is logic 0.

**Table 2** Pin Rs summary

CONDITION FORCED AT PIN Rs	MODE	RESULTING VOLTAGE OR CURRENT AT PIN Rs
V <sub>Rs</sub> > 0.75V <sub>CC</sub>	standby	-I <sub>Rs</sub> < 10 μA
10 μA < -I <sub>Rs</sub> < 200 μA	slope control	0.4V <sub>CC</sub> < V <sub>Rs</sub> < 0.6V <sub>CC</sub>
V <sub>Rs</sub> < 0.3V <sub>CC</sub>	high-speed	-I <sub>Rs</sub> < 500 μA

## CAN transceiver for 24 V systems

## PCA82C251

**LIMITING VALUES**

In accordance with the Absolute Maximum Rating System (IEC 60134); all voltages are referenced to pin 2; positive input current.

SYMBOL	PARAMETER	CONDITIONS	MIN.	MAX.	UNIT
$V_{CC}$	supply voltage		-0.3	+7.0	V
$V_n$	DC voltage at pins 1, 4, 5 and 8		-0.3	$V_{CC} + 0.3$	V
$V_6$	DC voltage at pin 6 (CANL)	$0\text{ V} < V_{CC} < 5.5\text{ V}$ ; TXD HIGH or floating	-36	+36	V
		$0\text{ V} < V_{CC} < 5.5\text{ V}$ ; no time limit; note 1	-36	+36	V
		$0\text{ V} < V_{CC} < 5.5\text{ V}$ ; no time limit; note 2	-36	+36	V
$V_7$	DC voltage at pin 7 (CANH)	$0\text{ V} < V_{CC} < 5.5\text{ V}$ ; no time limit	-36	+36	V
$V_{tr}$	transient voltage on pins 6 and 7	see Fig.8	-200	+200	V
$T_{stg}$	storage temperature		-55	+150	°C
$T_{amb}$	ambient temperature		-40	+125	°C
$T_{vj}$	virtual junction temperature	note 3	-40	+150	°C
$V_{esd}$	electrostatic discharge voltage	note 4	-2500	+2500	V
		note 5	-250	+250	V

**Notes**

1. TXD is LOW. Short-circuit protection provided for slew rates up to  $5\text{ V}/\mu\text{s}$  for voltages above +30 V.
2. Short-circuit applied when TXD is HIGH, followed by TXD switched to LOW.
3. In accordance with "IEC 60747-1". An alternative definition of virtual junction temperature is:  $T_{vj} = T_{amb} + P_d \times R_{th(vj-a)}$ , where  $R_{th(vj-a)}$  is a fixed value to be used for the calculation of  $T_{vj}$ . The rating for  $T_{vj}$  limits the allowable combinations of power dissipation ( $P_d$ ) and ambient temperature ( $T_{amb}$ ).
4. Classification A: human body model;  $C = 100\text{ pF}$ ;  $R = 1500\ \Omega$ ;  $V = \pm 2500\text{ V}$ .
5. Classification B: machine model;  $C = 200\text{ pF}$ ;  $R = 0\ \Omega$ ;  $V = \pm 250\text{ V}$ .

**THERMAL CHARACTERISTICS**

SYMBOL	PARAMETER	CONDITIONS	VALUE	UNIT
$R_{th(j-a)}$	thermal resistance from junction to ambient	in free air		
	PCA82C251		100	K/W
	PCA82C251T		160	K/W

**QUALITY SPECIFICATION**

According to "SNW-FQ-611 part E".

## CAN transceiver for 24 V systems

## PCA82C251

**CHARACTERISTICS**

$V_{CC} = 4.5$  to  $5.5$  V;  $T_{amb} = -40$  to  $+125$  °C;  $R_L = 60$  Ω;  $I_b > -10$  μA; unless otherwise specified; all voltages referenced to ground (pin 2); positive input current; all parameters are guaranteed over the ambient temperature range by design, but only 100% tested at  $+25$  °C.

SYMBOL	PARAMETER	CONDITIONS	MIN.	TYP.	MAX.	UNIT
<b>Supply</b>						
$I_3$	supply current	dominant; $V_1 = 1$ V; $V_{CC} < 5.1$ V	–	–	78	mA
		dominant; $V_1 = 1$ V; $V_{CC} < 5.25$ V	–	–	80	mA
		dominant; $V_1 = 1$ V; $V_{CC} < 5.5$ V	–	–	85	mA
		recessive; $V_1 = 4$ V; $R_8 = 47$ kΩ	–	–	10	mA
		standby; note 1	–	–	275	μA
<b>DC bus transmitter</b>						
$V_{IH}$	HIGH-level input voltage	output recessive	$0.7V_{CC}$	–	$V_{CC} + 0.3$	V
$V_{IL}$	LOW-level input voltage	output dominant	–0.3	–	$0.3V_{CC}$	V
$I_{IH}$	HIGH-level input current	$V_1 = 4$ V	–200	–	+30	μA
$I_{IL}$	LOW-level input current	$V_1 = 1$ V	–100	–	–600	μA
$V_{6,7}$	recessive bus voltage	$V_1 = 4$ V; no load	2.0	–	3.0	V
$I_{LO}$	off-state output leakage current	$-2$ V < ( $V_6, V_7$ ) < 7 V	–2	–	+2	mA
		$-5$ V < ( $V_6, V_7$ ) < 36 V	–10	–	+10	mA
$V_7$	CANH output voltage	$V_1 = 1$ V; $V_{CC} = 4.75$ to $5.5$ V	3.0	–	4.5	V
		$V_1 = 1$ V; $V_{CC} = 4.5$ to $4.75$ V	2.75	–	4.5	V
$V_6$	CANL output voltage	$V_1 = 1$ V	0.5	–	2.0	V
$\Delta V_{6,7}$	difference between output voltage at pins 6 and 7	$V_1 = 1$ V	1.5	–	3.0	V
		$V_1 = 1$ V; $R_L = 45$ Ω	1.5	–	–	V
		$V_1 = 4$ V; no load	–500	–	+50	mV
$I_{sc7}$	short-circuit CANH current	$V_7 = -5$ V	–	–	–200	mA
		$V_7 = -36$ V	–	–100	–	mA
$I_{sc6}$	short-circuit CANL current	$V_6 = 36$ V	–	–	200	mA
<b>DC bus receiver</b> [ $V_1 = 4$ V; pins 6 and 7 externally driven; $-2$ V < ( $V_6, V_7$ ) < 7 V; unless otherwise specified]						
$V_{diff(r)}$	differential input voltage (recessive)	note 2	–1.0	–	+0.5	V
		$-7$ V < ( $V_6, V_7$ ) < 12 V; note 2	–1.0	–	+0.4	V
$V_{diff(d)}$	differential input voltage (dominant)		0.9	–	5.0	V
		$-7$ V < ( $V_6, V_7$ ) < 12 V; not standby mode	1.0	–	5.0	V
		standby mode	0.97	–	5.0	V
		standby mode; $V_{CC} = 4.5$ to $5.10$ V	0.91	–	5.0	V
$V_{diff(hys)}$	differential input hysteresis	see Fig.5	–	150	–	mV

## CAN transceiver for 24 V systems

## PCA82C251

SYMBOL	PARAMETER	CONDITIONS	MIN.	TYP.	MAX.	UNIT
V <sub>OH</sub>	HIGH-level output voltage (pin 4)	I <sub>4</sub> = -100 μA	0.8V <sub>CC</sub>	–	V <sub>CC</sub>	V
V <sub>OL</sub>	LOW-level output voltage (pin 4)	I <sub>4</sub> = 1 mA	0	–	0.2V <sub>CC</sub>	V
		I <sub>4</sub> = 10 mA	0	–	1.5	V
R <sub>i</sub>	CANH, CANL input resistance		5	–	25	kΩ
R <sub>diff</sub>	differential input resistance		20	–	100	kΩ
<b>Reference output</b>						
V <sub>ref</sub>	reference output voltage	V <sub>8</sub> = 1 V;  I <sub>5</sub>   < 50 μA	0.45V <sub>CC</sub>	–	0.55V <sub>CC</sub>	V
		V <sub>8</sub> = 4 V;  I <sub>5</sub>   < 5 μA	0.4V <sub>CC</sub>	–	0.6V <sub>CC</sub>	V
<b>Timing</b> (R <sub>L</sub> = 60 Ω; C <sub>L</sub> = 100 pF; unless otherwise specified. See Figs 3 and 4)						
t <sub>bit</sub>	minimum bit time	R <sub>8</sub> = 0 Ω	–	–	1	μs
t <sub>onTXD</sub>	delay TXD to bus active	R <sub>8</sub> = 0 Ω	–	–	50	ns
t <sub>offTXD</sub>	delay TXD to bus inactive	R <sub>8</sub> = 0 Ω	–	40	80	ns
t <sub>onRXD</sub>	delay TXD to receiver active	R <sub>8</sub> = 0 Ω	–	55	120	ns
t <sub>offRXD</sub>	delay TXD to receiver inactive	R <sub>8</sub> = 0 Ω; T <sub>amb</sub> < +85 °C; V <sub>CC</sub> = 4.5 to 5.1 V	–	80	150	ns
		R <sub>8</sub> = 0 Ω; V <sub>CC</sub> = 4.5 to 5.1 V	–	80	170	ns
		R <sub>8</sub> = 0 Ω; T <sub>amb</sub> < +85 °C	–	90	170	ns
		R <sub>8</sub> = 0 Ω	–	90	190	ns
		R <sub>8</sub> = 47 kΩ	–	290	400	ns
t <sub>onRXD</sub>	delay TXD to receiver active	R <sub>8</sub> = 47 kΩ	–	440	550	ns
SR	CANH, CANL slew rate	R <sub>8</sub> = 47 kΩ	–	7	–	V/μs
t <sub>WAKE</sub>	wake-up time from standby (via pin 8)	see Fig.6	–	–	20	μs
t <sub>dRXDL</sub>	bus dominant to RXD LOW	V <sub>8</sub> = 4 V; see Fig.7	–	–	3	μs
<b>Standby/slope control (pin 8)</b>						
V <sub>stb</sub>	input voltage for standby mode		0.75V <sub>CC</sub>	–	–	V
I <sub>slope</sub>	slope control mode current		-10	–	-200	μA
V <sub>slope</sub>	slope control mode voltage		0.4V <sub>CC</sub>	–	0.6V <sub>CC</sub>	V

**Notes**

- I<sub>1</sub> = I<sub>4</sub> = I<sub>5</sub> = 0 mA; 0 V < V<sub>6</sub> < V<sub>CC</sub>; 0 V < V<sub>7</sub> < V<sub>CC</sub>; V<sub>8</sub> = V<sub>CC</sub>; T<sub>amb</sub> < 90 °C.
- This is valid for the receiver in all modes: high-speed, slope control and standby.

CAN transceiver for 24 V systems

PCA82C251

TEST AND APPLICATION INFORMATION

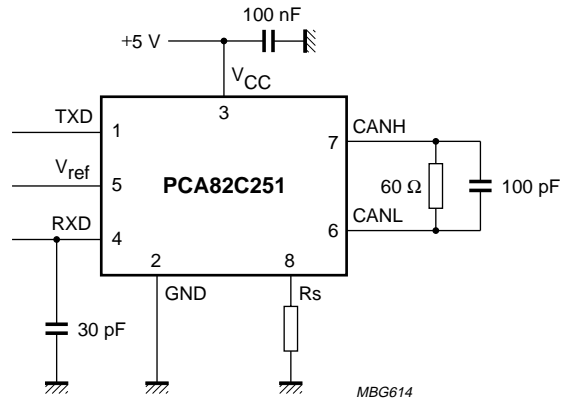


Fig.3 Test circuit for dynamic characteristics.

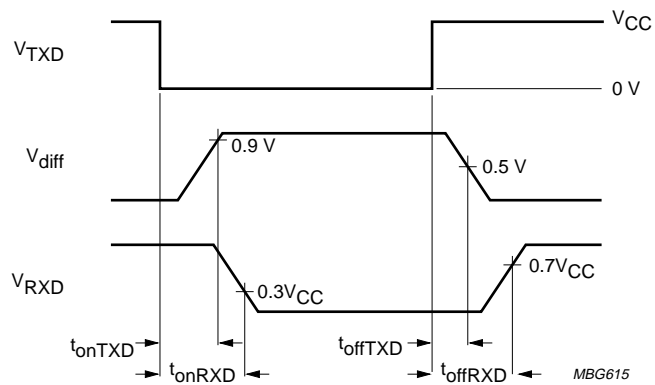


Fig.4 Timing diagram for dynamic characteristics.



CAN transceiver for 24 V systems

PCA82C251

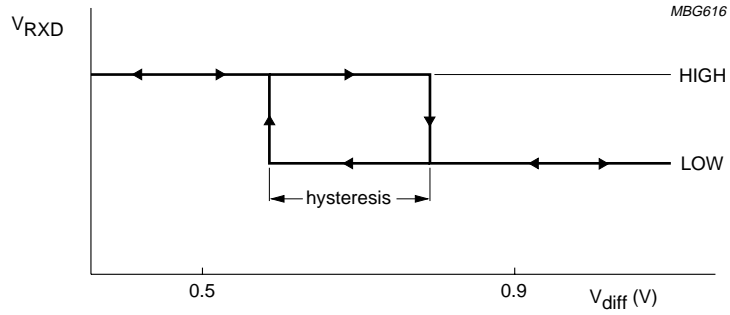
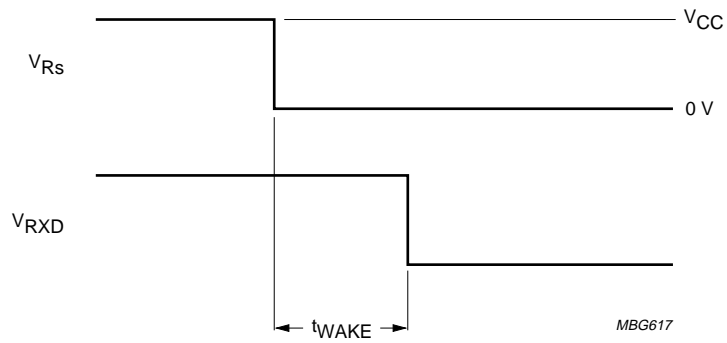
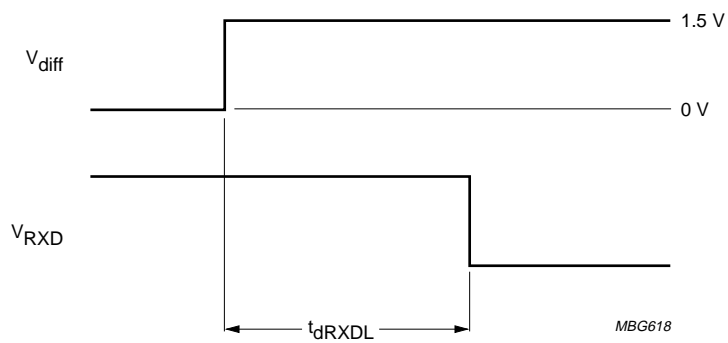


Fig.5 Hysteresis.



$V_{TXD} = 1\text{ V}$ .

Fig.6 Timing diagram for wake up from standby.

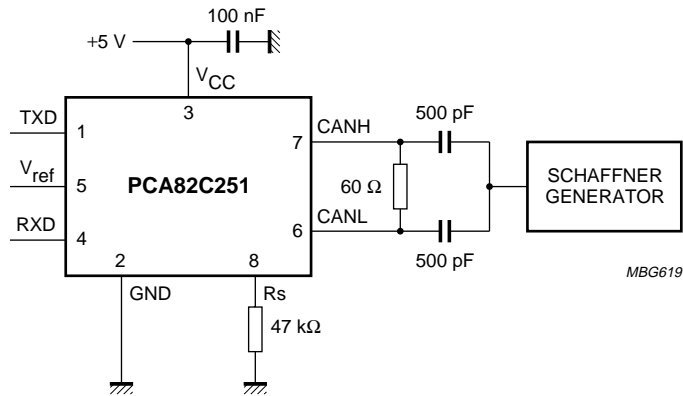


$V_{Rs} = 4\text{ V}; V_{TXD} = 4\text{ V}$ .

Fig.7 Timing diagram for bus dominant to RXD low.

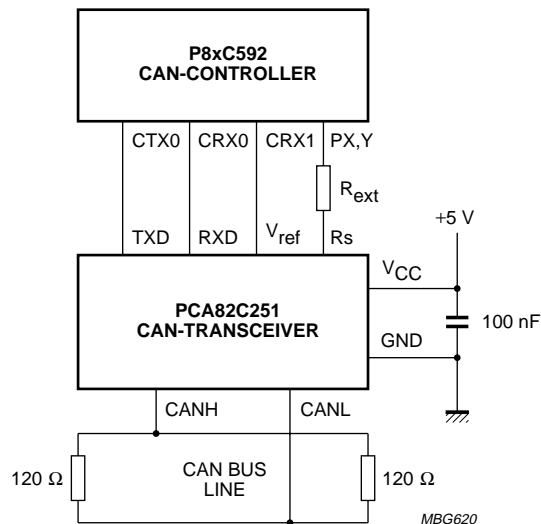
CAN transceiver for 24 V systems

PCA82C251



The waveforms of the applied transients shall be in accordance with "ISO 7637 part 1", test pulses 1, 2, 3a and 3b.

Fig.8 Test circuit for automotive transients.



- (1) The output control register of the P8xC592 should be programmed to 1AH (push-pull operation, dominant = LOW).
- (2) If no slope control is desired:  $R_{ext} = 0$ .

Fig.9 Application of the PCA82C251 CAN Transceiver.

CAN transceiver for 24 V systems

PCA82C251

**BONDING PAD LOCATIONS**

SYMBOL	PAD	COORDINATES <sup>(1)</sup>	
		x	y
TXD	1	196	137
GND	2	1080	137
V <sub>CC</sub>	3	1567	137
RXD	4	2644	137
V <sub>ref</sub>	5	2644	1644
CANL	6	1490	1644
CANH	7	748	1644
Rs	8	200	1610

**Note**

1. All coordinates (μm) represent the position of the centre of each pad with respect to the bottom left-hand corner of the die (x/y = 0).

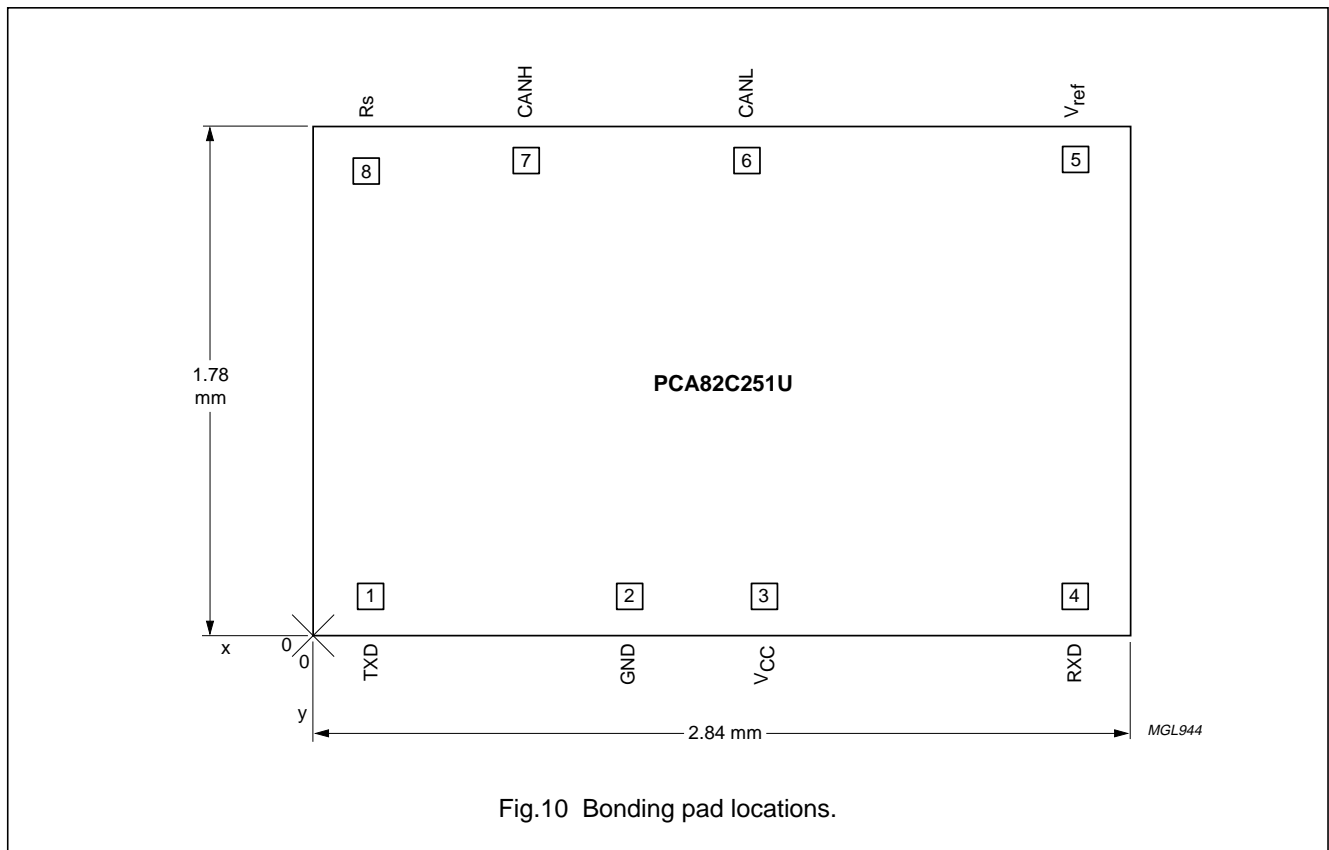


Fig.10 Bonding pad locations.

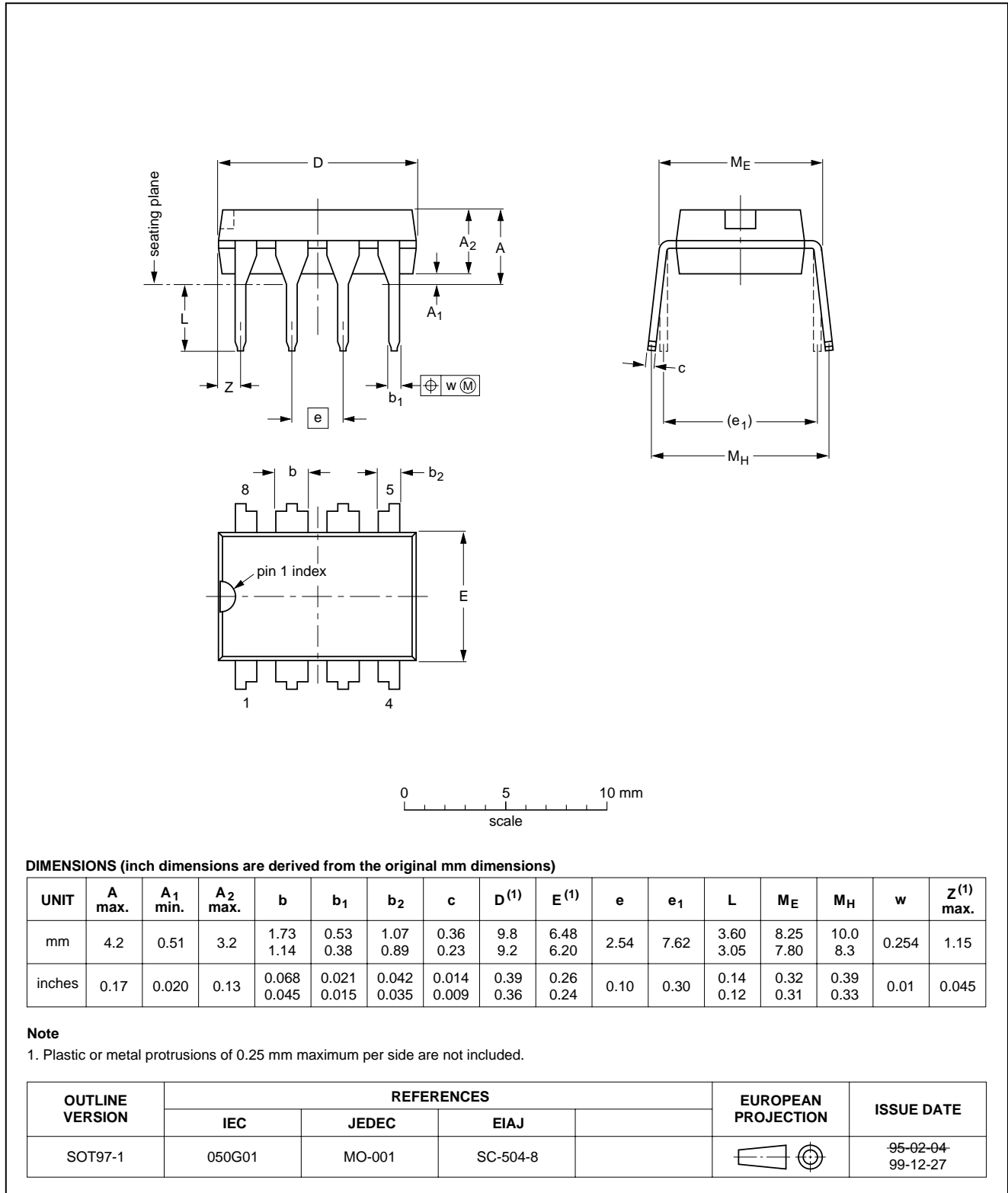
CAN transceiver for 24 V systems

PCA82C251

PACKAGE OUTLINES

DIP8: plastic dual in-line package; 8 leads (300 mil)

SOT97-1

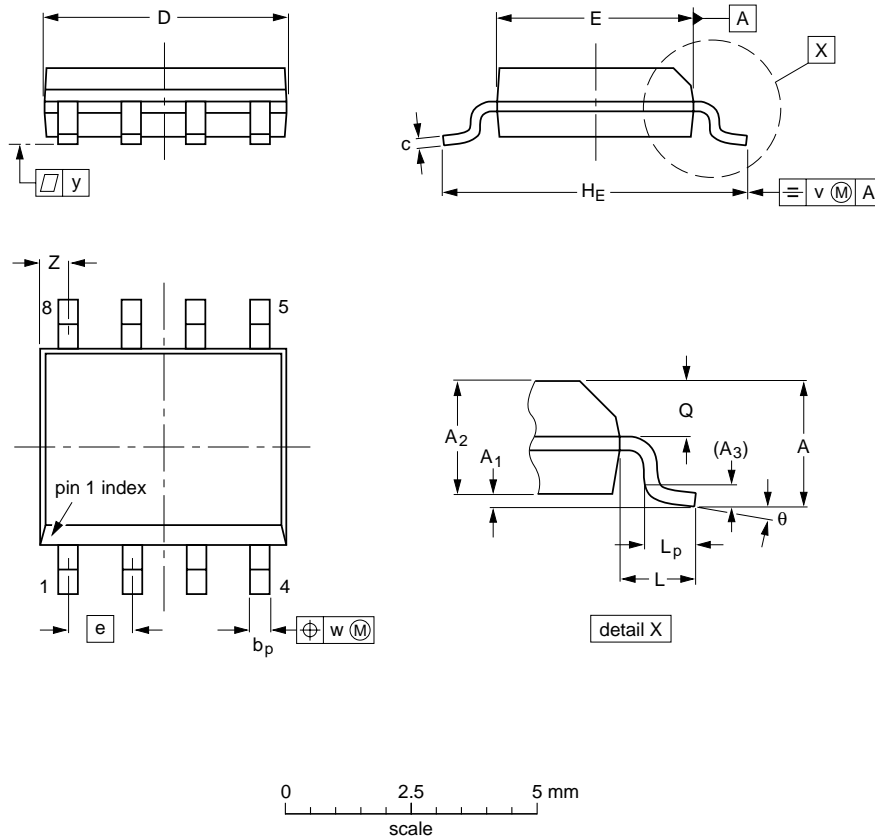


CAN transceiver for 24 V systems

PCA82C251

S08: plastic small outline package; 8 leads; body width 3.9 mm

SOT96-1



DIMENSIONS (inch dimensions are derived from the original mm dimensions)

UNIT	A max.	A <sub>1</sub>	A <sub>2</sub>	A <sub>3</sub>	b <sub>p</sub>	c	D <sup>(1)</sup>	E <sup>(2)</sup>	e	H <sub>E</sub>	L	L <sub>p</sub>	Q	v	w	y	z <sup>(1)</sup>	θ
mm	1.75	0.25 0.10	1.45 1.25	0.25	0.49 0.36	0.25 0.19	5.0 4.8	4.0 3.8	1.27	6.2 5.8	1.05	1.0 0.4	0.7 0.6	0.25	0.25	0.1	0.7 0.3	8° 0°
inches	0.069	0.010 0.004	0.057 0.049	0.01	0.019 0.014	0.0100 0.0075	0.20 0.19	0.16 0.15	0.050	0.244 0.228	0.041	0.039 0.016	0.028 0.024	0.01	0.01	0.004	0.028 0.012	

Notes

1. Plastic or metal protrusions of 0.15 mm maximum per side are not included.
2. Plastic or metal protrusions of 0.25 mm maximum per side are not included.

OUTLINE VERSION	REFERENCES				EUROPEAN PROJECTION	ISSUE DATE
	IEC	JEDEC	EIAJ			
SOT96-1	076E03	MS-012				97-05-22 99-12-27

## CAN transceiver for 24 V systems

## PCA82C251

### SOLDERING

#### Introduction

This text gives a very brief insight to a complex technology. A more in-depth account of soldering ICs can be found in our *"Data Handbook IC26; Integrated Circuit Packages"* (document order number 9398 652 90011).

There is no soldering method that is ideal for all IC packages. Wave soldering is often preferred when through-hole and surface mount components are mixed on one printed-circuit board. However, wave soldering is not always suitable for surface mount ICs, or for printed-circuit boards with high population densities. In these situations reflow soldering is often used.

#### Through-hole mount packages

##### SOLDERING BY DIPPING OR BY SOLDER WAVE

The maximum permissible temperature of the solder is 260 °C; solder at this temperature must not be in contact with the joints for more than 5 seconds. The total contact time of successive solder waves must not exceed 5 seconds.

The device may be mounted up to the seating plane, but the temperature of the plastic body must not exceed the specified maximum storage temperature ( $T_{stg(max)}$ ). If the printed-circuit board has been pre-heated, forced cooling may be necessary immediately after soldering to keep the temperature within the permissible limit.

##### MANUAL SOLDERING

Apply the soldering iron (24 V or less) to the lead(s) of the package, either below the seating plane or not more than 2 mm above it. If the temperature of the soldering iron bit is less than 300 °C it may remain in contact for up to 10 seconds. If the bit temperature is between 300 and 400 °C, contact may be up to 5 seconds.

#### Surface mount packages

##### REFLOW SOLDERING

Reflow soldering requires solder paste (a suspension of fine solder particles, flux and binding agent) to be applied to the printed-circuit board by screen printing, stencilling or pressure-syringe dispensing before package placement.

Several methods exist for reflowing; for example, infrared/convection heating in a conveyor type oven. Throughput times (preheating, soldering and cooling) vary between 100 and 200 seconds depending on heating method.

Typical reflow peak temperatures range from 215 to 250 °C. The top-surface temperature of the packages should preferably be kept below 230 °C.

##### WAVE SOLDERING

Conventional single wave soldering is not recommended for surface mount devices (SMDs) or printed-circuit boards with a high component density, as solder bridging and non-wetting can present major problems.

To overcome these problems the double-wave soldering method was specifically developed.

If wave soldering is used the following conditions must be observed for optimal results:

- Use a double-wave soldering method comprising a turbulent wave with high upward pressure followed by a smooth laminar wave.
- For packages with leads on two sides and a pitch (e):
  - larger than or equal to 1.27 mm, the footprint longitudinal axis is **preferred** to be parallel to the transport direction of the printed-circuit board;
  - smaller than 1.27 mm, the footprint longitudinal axis **must** be parallel to the transport direction of the printed-circuit board.

The footprint must incorporate solder thieves at the downstream end.

- For packages with leads on four sides, the footprint must be placed at a 45° angle to the transport direction of the printed-circuit board. The footprint must incorporate solder thieves downstream and at the side corners.

During placement and before soldering, the package must be fixed with a droplet of adhesive. The adhesive can be applied by screen printing, pin transfer or syringe dispensing. The package can be soldered after the adhesive is cured.

Typical dwell time is 4 seconds at 250 °C.

A mildly-activated flux will eliminate the need for removal of corrosive residues in most applications.

##### MANUAL SOLDERING

Fix the component by first soldering two diagonally-opposite end leads. Use a low voltage (24 V or less) soldering iron applied to the flat part of the lead. Contact time must be limited to 10 seconds at up to 300 °C.

When using a dedicated tool, all other leads can be soldered in one operation within 2 to 5 seconds between 270 and 320 °C.

## CAN transceiver for 24 V systems

## PCA82C251

## Suitability of IC packages for wave, reflow and dipping soldering methods

MOUNTING	PACKAGE	SOLDERING METHOD		
		WAVE	REFLOW <sup>(1)</sup>	DIPPING
Through-hole mount	DBS, DIP, HDIP, SDIP, SIL	suitable <sup>(2)</sup>	–	suitable
Surface mount	BGA, LFBGA, SQFP, TFBGA	not suitable	suitable	–
	HBCC, HLQFP, HSQFP, HSOP, HTQFP, HTSSOP, SMS	not suitable <sup>(3)</sup>	suitable	–
	PLCC <sup>(4)</sup> , SO, SOJ	suitable	suitable	–
	LQFP, QFP, TQFP	not recommended <sup>(4)(5)</sup>	suitable	–
	SSOP, TSSOP, VSO	not recommended <sup>(6)</sup>	suitable	–

## Notes

- All surface mount (SMD) packages are moisture sensitive. Depending upon the moisture content, the maximum temperature (with respect to time) and body size of the package, there is a risk that internal or external package cracks may occur due to vaporization of the moisture in them (the so called popcorn effect). For details, refer to the Drypack information in the “*Data Handbook IC26; Integrated Circuit Packages; Section: Packing Methods*”.
- For SDIP packages, the longitudinal axis must be parallel to the transport direction of the printed-circuit board.
- These packages are not suitable for wave soldering as a solder joint between the printed-circuit board and heatsink (at bottom version) can not be achieved, and as solder may stick to the heatsink (on top version).
- If wave soldering is considered, then the package must be placed at a 45° angle to the solder wave direction. The package footprint must incorporate solder thieves downstream and at the side corners.
- Wave soldering is only suitable for LQFP, QFP and TQFP packages with a pitch (e) equal to or larger than 0.8 mm; it is definitely not suitable for packages with a pitch (e) equal to or smaller than 0.65 mm.
- Wave soldering is only suitable for SSOP and TSSOP packages with a pitch (e) equal to or larger than 0.65 mm; it is definitely not suitable for packages with a pitch (e) equal to or smaller than 0.5 mm.

## CAN transceiver for 24 V systems

PCA82C251

**DEFINITIONS**

<b>Data sheet status</b>	
Objective specification	This data sheet contains target or goal specifications for product development.
Preliminary specification	This data sheet contains preliminary data; supplementary data may be published later.
Product specification	This data sheet contains final product specifications.
<b>Limiting values</b>	
Limiting values given are in accordance with the Absolute Maximum Rating System (IEC 134). Stress above one or more of the limiting values may cause permanent damage to the device. These are stress ratings only and operation of the device at these or at any other conditions above those given in the Characteristics sections of the specification is not implied. Exposure to limiting values for extended periods may affect device reliability.	
<b>Application information</b>	
Where application information is given, it is advisory and does not form part of the specification.	

**LIFE SUPPORT APPLICATIONS**

These products are not designed for use in life support appliances, devices, or systems where malfunction of these products can reasonably be expected to result in personal injury. Philips customers using or selling these products for use in such applications do so at their own risk and agree to fully indemnify Philips for any damages resulting from such improper use or sale.

**BARE DIE DISCLAIMER**

All die are tested and are guaranteed to comply with all data sheet limits up to the point of wafer sawing for a period of ninety (90) days from the date of Philips' delivery. If there are data sheet limits not guaranteed, these will be separately indicated in the data sheet. There are no post packing tests performed on individual die or wafer. Philips Semiconductors has no control of third party procedures in the sawing, handling, packing or assembly of the die. Accordingly, Philips Semiconductors assumes no liability for device functionality or performance of the die or systems after third party sawing, handling, packing or assembly of the die. It is the responsibility of the customer to test and qualify their application in which the die is used.



CAN transceiver for 24 V systems

PCA82C251

---

**NOTES**

CAN transceiver for 24 V systems

PCA82C251

---

**NOTES**

CAN transceiver for 24 V systems

PCA82C251

---

**NOTES**

# Philips Semiconductors – a worldwide company

**Argentina:** see South America

**Australia:** 3 Figtree Drive, HOMEBUSH, NSW 2140,  
Tel. +61 2 9704 8141, Fax. +61 2 9704 8139

**Austria:** Computerstr. 6, A-1101 WIEN, P.O. Box 213,  
Tel. +43 1 60 101 1248, Fax. +43 1 60 101 1210

**Belarus:** Hotel Minsk Business Center, Bld. 3, r. 1211, Volodarski Str. 6,  
220050 MINSK, Tel. +375 172 20 0733, Fax. +375 172 20 0773

**Belgium:** see The Netherlands

**Brazil:** see South America

**Bulgaria:** Philips Bulgaria Ltd., Energoproject, 15th floor,  
51 James Bourchier Blvd., 1407 SOFIA,  
Tel. +359 2 68 9211, Fax. +359 2 68 9102

**Canada:** PHILIPS SEMICONDUCTORS/COMPONENTS,  
Tel. +1 800 234 7381, Fax. +1 800 943 0087

**China/Hong Kong:** 501 Hong Kong Industrial Technology Centre,  
72 Tat Chee Avenue, Kowloon Tong, HONG KONG,  
Tel. +852 2319 7888, Fax. +852 2319 7700

**Colombia:** see South America

**Czech Republic:** see Austria

**Denmark:** Sydhavnsgade 23, 1780 COPENHAGEN V,  
Tel. +45 33 29 3333, Fax. +45 33 29 3905

**Finland:** Sinikalliontie 3, FIN-02630 ESPOO,  
Tel. +358 9 615 800, Fax. +358 9 6158 0920

**France:** 51 Rue Carnot, BP317, 92156 SURESNES Cedex,  
Tel. +33 1 4099 6161, Fax. +33 1 4099 6427

**Germany:** Hammerbrookstraße 69, D-20097 HAMBURG,  
Tel. +49 40 2353 60, Fax. +49 40 2353 6300

**Hungary:** see Austria

**India:** Philips INDIA Ltd, Band Box Building, 2nd floor,  
254-D, Dr. Annie Besant Road, Worli, MUMBAI 400 025,  
Tel. +91 22 493 8541, Fax. +91 22 493 0966

**Indonesia:** PT Philips Development Corporation, Semiconductors Division,  
Gedung Philips, Jl. Buncit Raya Kav.99-100, JAKARTA 12510,  
Tel. +62 21 794 0040 ext. 2501, Fax. +62 21 794 0080

**Ireland:** Newstead, Clonskeagh, DUBLIN 14,  
Tel. +353 1 7640 000, Fax. +353 1 7640 200

**Israel:** RAPAC Electronics, 7 Kehilat Saloniki St, PO Box 18053,  
TEL AVIV 61180, Tel. +972 3 645 0444, Fax. +972 3 649 1007

**Italy:** PHILIPS SEMICONDUCTORS, Via Casati, 23 - 20052 MONZA (MI),  
Tel. +39 039 203 6838, Fax +39 039 203 6800

**Japan:** Philips Bldg 13-37, Kohnan 2-chome, Minato-ku,  
TOKYO 108-8507, Tel. +81 3 3740 5130, Fax. +81 3 3740 5057

**Korea:** Philips House, 260-199 Itaewon-dong, Yongsan-ku, SEOUL,  
Tel. +82 2 709 1412, Fax. +82 2 709 1415

**Malaysia:** No. 76 Jalan Universiti, 46200 PETALING JAYA, SELANGOR,  
Tel. +60 3 750 5214, Fax. +60 3 757 4880

**Mexico:** 5900 Gateway East, Suite 200, EL PASO, TEXAS 79905,  
Tel. +9-5 800 234 7381, Fax +9-5 800 943 0087

**Middle East:** see Italy

**Netherlands:** Postbus 90050, 5600 PB EINDHOVEN, Bldg. VB,  
Tel. +31 40 27 82785, Fax. +31 40 27 88399

**New Zealand:** 2 Wagener Place, C.P.O. Box 1041, AUCKLAND,  
Tel. +64 9 849 4160, Fax. +64 9 849 7811

**Norway:** Box 1, Manglerud 0612, OSLO,  
Tel. +47 22 74 8000, Fax. +47 22 74 8341

**Pakistan:** see Singapore

**Philippines:** Philips Semiconductors Philippines Inc.,  
106 Valero St. Salcedo Village, P.O. Box 2108 MCC, MAKATI,  
Metro MANILA, Tel. +63 2 816 6380, Fax. +63 2 817 3474

**Poland:** Al.Jerozolimskie 195 B, 02-222 WARSAW,  
Tel. +48 22 5710 000, Fax. +48 22 5710 001

**Portugal:** see Spain

**Romania:** see Italy

**Russia:** Philips Russia, Ul. Usatcheva 35A, 119048 MOSCOW,  
Tel. +7 095 755 6918, Fax. +7 095 755 6919

**Singapore:** Lorong 1, Toa Payoh, SINGAPORE 319762,  
Tel. +65 350 2538, Fax. +65 251 6500

**Slovakia:** see Austria

**Slovenia:** see Italy

**South Africa:** S.A. PHILIPS Pty Ltd., 195-215 Main Road Martindale,  
2092 JOHANNESBURG, P.O. Box 58088 Newville 2114,  
Tel. +27 11 471 5401, Fax. +27 11 471 5398

**South America:** Al. Vicente Pinzon, 173, 6th floor,  
04547-130 SÃO PAULO, SP, Brazil,  
Tel. +55 11 821 2333, Fax. +55 11 821 2382

**Spain:** Balmes 22, 08007 BARCELONA,  
Tel. +34 93 301 6312, Fax. +34 93 301 4107

**Sweden:** Kottbygatan 7, Akalla, S-16485 STOCKHOLM,  
Tel. +46 8 5985 2000, Fax. +46 8 5985 2745

**Switzerland:** Allmendstrasse 140, CH-8027 ZÜRICH,  
Tel. +41 1 488 2741 Fax. +41 1 488 3263

**Taiwan:** Philips Semiconductors, 6F, No. 96, Chien Kuo N. Rd., Sec. 1,  
TAIPEI, Taiwan Tel. +886 2 2134 2886, Fax. +886 2 2134 2874

**Thailand:** PHILIPS ELECTRONICS (THAILAND) Ltd.,  
209/2 Sanpavuth-Bangna Road Prakanong, BANGKOK 10260,  
Tel. +66 2 745 4090, Fax. +66 2 398 0793

**Turkey:** Yukari Dudullu, Org. San. Blg., 2.Cad. Nr. 28 81260 Umraniye,  
ISTANBUL, Tel. +90 216 522 1500, Fax. +90 216 522 1813

**Ukraine:** PHILIPS UKRAINE, 4 Patrice Lumumba str., Building B, Floor 7,  
252042 KIEV, Tel. +380 44 264 2776, Fax. +380 44 268 0461

**United Kingdom:** Philips Semiconductors Ltd., 276 Bath Road, Hayes,  
MIDDLESEX UB3 5BX, Tel. +44 208 730 5000, Fax. +44 208 754 8421

**United States:** 811 East Arques Avenue, SUNNYVALE, CA 94088-3409,  
Tel. +1 800 234 7381, Fax. +1 800 943 0087

**Uruguay:** see South America

**Vietnam:** see Singapore

**Yugoslavia:** PHILIPS, Trg N. Pasica 5/v, 11000 BEOGRAD,  
Tel. +381 11 3341 299, Fax.+381 11 3342 553

**For all other countries apply to:** Philips Semiconductors,  
International Marketing & Sales Communications, Building BE-p, P.O. Box 218,  
5600 MD EINDHOVEN, The Netherlands, Fax. +31 40 27 24825

**Internet:** <http://www.semiconductors.philips.com>

© Philips Electronics N.V. 2000

SCA 69

All rights are reserved. Reproduction in whole or in part is prohibited without the prior written consent of the copyright owner.

The information presented in this document does not form part of any quotation or contract, is believed to be accurate and reliable and may be changed without notice. No liability will be accepted by the publisher for any consequence of its use. Publication thereof does not convey nor imply any license under patent- or other industrial or intellectual property rights.

Printed in The Netherlands

285002/03/pp20

Date of release: 2000 Jan 13

Document order number: 9397 750 06611

*Let's make things better.*

**Philips**  
Semiconductors



**PHILIPS**

[Go to Philips](#)

[Catalog & Datasheets](#)

[Product INFORMATION page](#)

Information as of 2001-06-12

[Subscribe to](#)

To be kept informed on PCA82C251, subscribe to eNews.

## PCA82C251; CAN transceiver for 24 V systems

- [Description](#)
- [Features](#)
- [Datasheet](#)
- [Products, packages, availability and ordering](#)
- [Find similar products](#)
- [order this](#) -

### Description

The PCA82C251 is the interface between the CAN protocol controller and the physical bus. It is primarily intended for applications (up to 1 Mbaud) in trucks and buses. The device provides differential transmit capability to the bus and differential receive capability to the CAN controller.

### Features

- Fully compatible with the 'ISO 11898-24 V' standard
- Slope control to reduce RFI
- Thermally protected
- Short-circuit proof to battery and ground in 24 V powered systems
- Low-current standby mode
- An unpowered node does not disturb the bus lines
- At least 110 nodes can be connected
- High speed (up to 1 Mbaud)
- High immunity against electromagnetic interference.

### Datasheet

Type nr.	Title	Publication release date	Datasheet status	Page count	File size (kB)	Datasheet
PCA82C251	CAN transceiver for 24 V systems	13-Jan-00	Product Specification	20	95	<a href="#">Download</a> <a href="#">Download</a>

### Products, packages, availability and ordering

Partnumber	North American Partnumber	Order code (12nc)	marking/packing <a href="#">Download IC packing info</a>	package	device status	buy online
PCA82C251/N3	PCA82C251N	9352 162 30112	Standard Marking * Tube	<a href="#">SOT97-1</a> (DIP8)	Full production	<a href="#">order this</a> -
PCA82C251T/N3	PCA82C251TD	9351 960 20112	Standard Marking * Tube	<a href="#">SOT96</a> (SO8; MS-012AA; 076E03S)	Full production	<a href="#">order this</a> -

#### Relevant Links

- [About catalog tree](#)
- [About search](#)
- [About this site](#)
- [Subscribe to eNews](#)
- [Catalog & Datasheets](#)
- [Search](#)
- [PCA82C251](#)
- [PCA82C251](#)

	PCA82C251TD-T	9351 960 20118	Standard Marking * Reel Pack, SMD, 13"	<a href="#">SOT96</a> (SO8; MS-012AA; 076E03S)	Full production	<a href="#">order this</a> -
--	---------------	----------------	--	---	-----------------	---------------------------------

Products in the above table are all in production. Some variants are discontinued; [click here](#) for information on these variants.

**Find similar products:**



[Prodi](#) [PCA82C251](#) links to the similar products page containing an overview of products that are similar in function or related to the part number(s) as listed on this page. The similar products page includes products from the same catalog tree(s) , relevant selection guides and products from the same functional category.