

FEATURES AND SPECIFICATIONS

Features and Benefits

- Sizes 2 to 12 circuits
- Positive latching system
- Polarized
- Flanged mating envelope for ease in blind mating
- PCB pegs optional
- Surface Mount Compatible

Reference Information

Product Specification: PS-71690-001
 Packaging: Tray
 UL File No.: E29179
 CSA File No.: LR19980
 Mates With: [71694](#) and [5557](#)
 Designed In: Inches

Electrical

Voltage: 600V
 Current: Receptacle and header

Wire Gauge	2 Circuit	3 to 12 Circuit
18	7.00	6.00
20	6.00	5.25
22	5.00	4.50
24	4.50	4.00

Contact Resistance: 20mΩ max.
 Dielectric Withstanding Voltage: 2200V AC
 Insulation Resistance: 1000 MΩmin.

Mechanical

Insertion Force to PCB: 21N (4.72 lb) min.
 Retention Force to PCB: 18N (4.05 lb) min.
 Mating Force: 6.86N (1.54 lb) max.
 Unmating Force: 3.92N (.89 lb) max.
 Durability: 30 cycles

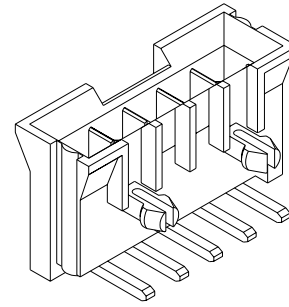
Physical

Housing: High temperature glass-filled polyester, UL 94V-0
 Contact: Brass
 Plating: See Table
 Operating Temperature: -40 to +105°C

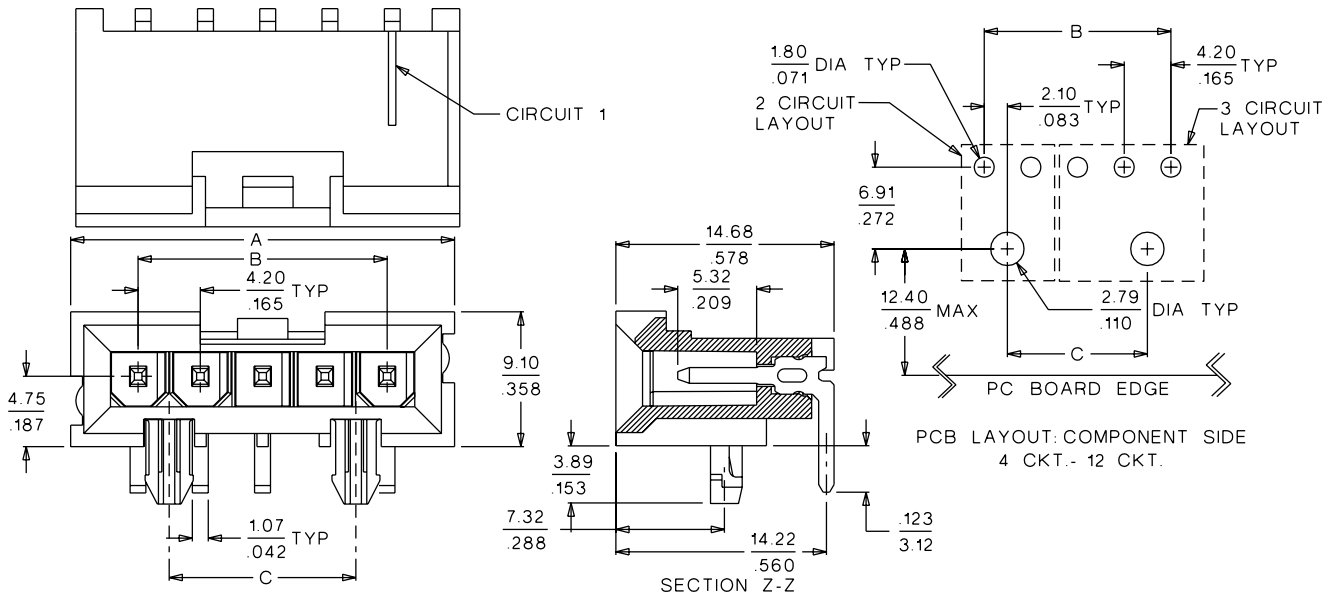
molex® 4.20mm (.165") Pitch Mini-Fit™ Wire-to-Board Header

71233

Single Row, Right Angle SMC



CATALOG DRAWING (FOR REFERENCE ONLY)



ORDERING INFORMATION AND DIMENSIONS

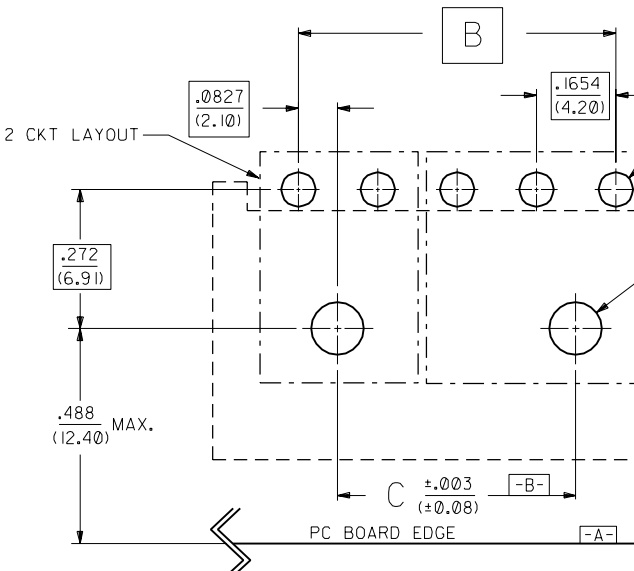
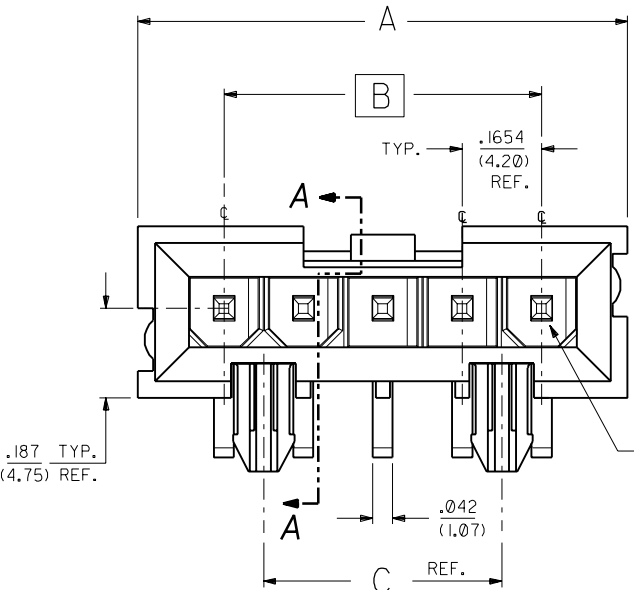
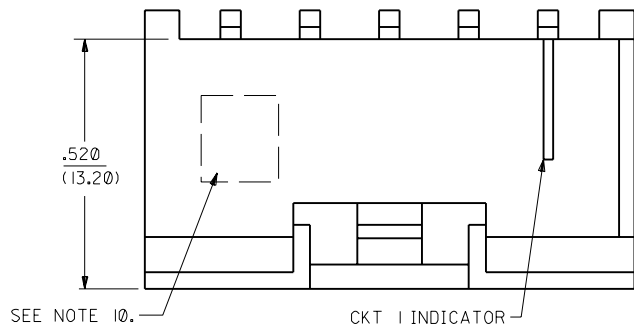
Circuits	Order No.						Dimension		
	Tin/Lead		15μ" Gold		30μ" Gold		A	B	C
	With Pegs	Without Pegs	With Pegs	Without Pegs	With Pegs	Without Pegs			
2	• 71233-0001	71233-0201	71233-0401	71233-0501	71233-0101	71233-0301	13.31 (.524)	4.20 (.165)	
3	• 71233-0003	71233-0203	71233-0403	71233-0503	71233-0103	71233-0303	17.50 (.689)	8.40 (.331)	
4	• 71233-0005	71233-0205	71233-0405	71233-0505	71233-0105	71233-0305	21.71 (.855)	12.60 (.496)	8.40 (.330)
5	• 71233-0007	71233-0207	71233-0407	71233-0507	71233-0107	71233-0307	25.91 (1.020)	16.80 (.661)	12.60 (.496)
6	• 71233-0009	71233-0209	71233-0409	71233-0509	71233-0109	71233-0309	30.10 (1.185)	21.00 (.827)	16.80 (.661)
7	• 71233-0011	71233-0211	71233-0411	71233-0511	71233-0111	71233-0311	34.31 (1.351)	25.20 (.992)	21.00 (.826)
8	• 71233-0013	71233-0213	71233-0413	71233-0513	71233-0113	71233-0313	38.50 (1.516)	29.40 (1.158)	25.20 (.992)
9	• 71233-0015	71233-0215	71233-0415	71233-0515	71233-0115	71233-0315	42.72 (1.682)	33.60 (1.323)	29.40 (1.157)
10	• 71233-0017	71233-0217	71233-0417	71233-0517	71233-0117	71233-0317	46.91 (1.847)	37.80 (1.488)	33.60 (1.322)
11	• 71233-0019	71233-0219	71233-0419	71233-0519	71233-0119	71233-0319	51.10 (2.012)	42.00 (1.654)	37.80 (1.488)
12	• 71233-0021	71233-0221	71233-0421	71233-0521	71233-0121	71233-0321	55.30 (2.177)	46.20 (1.819)	42.00 (1.653)

• US Standard Product, available through Molex franchised distributors

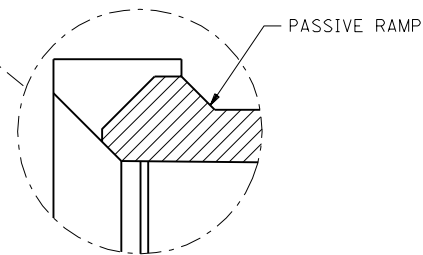
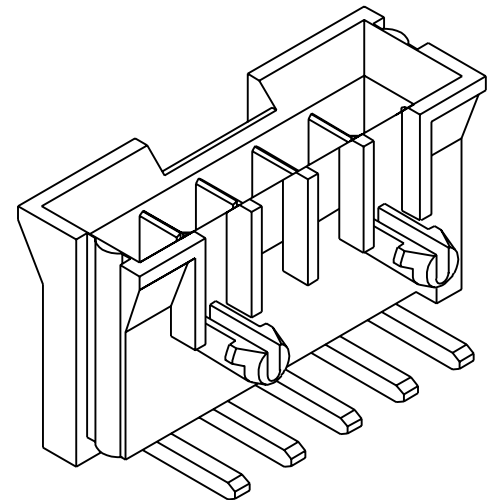
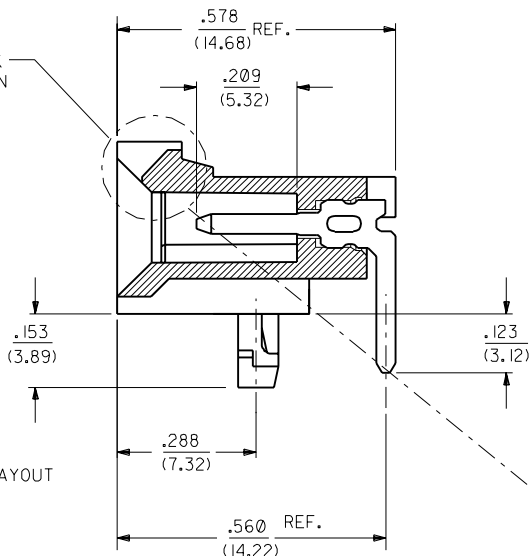
NOTES:

1. ASSEMBLY NO. 71233-0007 SHOWN FOR ILLUSTRATION.
2. MATES WITH PART NO. 71694-****, AND 5557--.
3. SEE FOLLOWING PAGES FOR PART NOS. & CONFIGURATIONS.
4. **PLATING CODE:**
 - (164) .000150/(0.0038) MIN. TIN/LEAD OVERALL, OVER NICKEL OVERALL.
 - (569) .000030/(0.00076) MIN. SELECT GOLD AND .000100/(0.00254) MIN. SELECT TIN/LEAD OVER NICKEL OVERALL.
 - (578) .000015/(0.00038) MIN. SELECT GOLD AND .000150/(0.0038) MIN. SELECT TIN/LEAD OVER NICKEL OVERALL.
5. ITEM NO'S PRECEDED BY AN "X" IN THE CHARTS ARE NOT AVAILABLE.
6. HOUSING MATERIAL: HIGH TEMP. 94V-0 GLASS FILLED POLYESTER MATERIAL COLOR: WHITE.
7. PIN MATERIAL: BRASS.
8. PART CONFORMS TO SPECIFICATION NO. PS-71690-001.
9. **PACKAGING SPECIFICATIONS:**
 - FOR TRAY, SEE PK-71232-0000
 - FOR TUBE, SEE PK-71233-0000

10. LOCATION FOR .25/(6.4) TALL "T" FOR 71233-5005.



POSITIVE LOCK VERSION SHOWN



PASSIVE LOCK OPTION

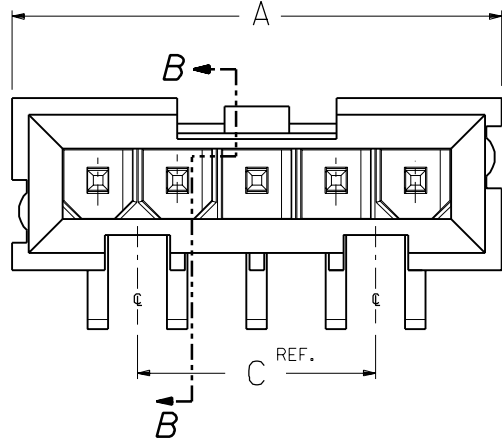
K	CHANGE PROD. SPEC. ECR UBT2001-0195 KMS 9/22/2000	71233
J	CUSTOM "T" NOTE 10 PER EC U80454 ELO 97/8/12	71233
I	ALL WHITE MAT'L PER EC U71003 ELO 97/2/24	71233
H	ADD TUBE OPTION PER ECR U70907 ELO 97/2/20	71233
G	REVISID PER ECR U61108 03/14/96 TSE	71233
F	REV/ADD PLATINGS PER ECR U60547 11/07/95 sas	71233
E	REV PEGS-REM "X" PER ECR U5189 08/02/95 sas	71233
D	REV VIEW/NOTES PER ECR U50607 01/26/95 sas	71233
C	REV CKT PLATING INDICATOR US0005 08/02/94 MURPHY	71233

4	J	B	REVISE DWG PER ECR U40117 6/28/94 sas
3	I	B	REVISE DWG PER ECR U40117 6/28/94 sas
2	E	A	INITIAL RELEASE PER ECR U50897 11/11/93 PAR
1	K	A	INITIAL RELEASE PER ECR U50897 11/11/93 PAR

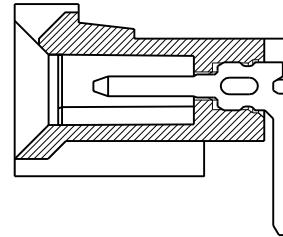
DIMENSIONS SHOWN (METRIC) INCH		UNLESS OTHERWISE SPECIFIED TOLERANCES ANGULAR ± 1/2°	
INCH		METRIC	
3 PLACE ±	.010	---	
2 PLACE ±	.015	± 0.13	
1 PLACE	---	± 0.25	
DRAWING INFORMATION			
DRAWN BY: RWB		CHECKED BY: PAR	
APP'D BY: FAH		SCALE: 5: 1	
PART NO. SEE CHART		DRWG. NO. SDA-71233-****	
FILE NAME: 571233P1		DIV. 152E	
THIS DRAWING CONTAINS INFORMATION THAT IS PROPRIETARY TO MOLEX INC. AND SHOULD NOT BE USED WITHOUT WRITTEN PERMISSION.			

MFG. SH.		REV. ONLY ON CAD SYSTEM	
TITLE		SINGLE ROW MINI-FIT HEADER BLIND MATE, RIGHT ANGLE THRU-HOLE SALES ASSEMBLY	
FROM: MOLEX INCORPORATED		SHEET NO. DATE	
L15LE.ILL. 60532		U.S.A. 1 OF 4 10/19/93	
PART NO. SDA-71233-****		DRWG. NO. SDA-71233-****	
FILE NAME: 571233P1		DIV. 152E	
THIS DRAWING CONTAINS INFORMATION THAT IS PROPRIETARY TO MOLEX INC. AND SHOULD NOT BE USED WITHOUT WRITTEN PERMISSION.			

SEE SHEET 1 FOR ALL OTHER INFORMATION



NO PEG OPTION

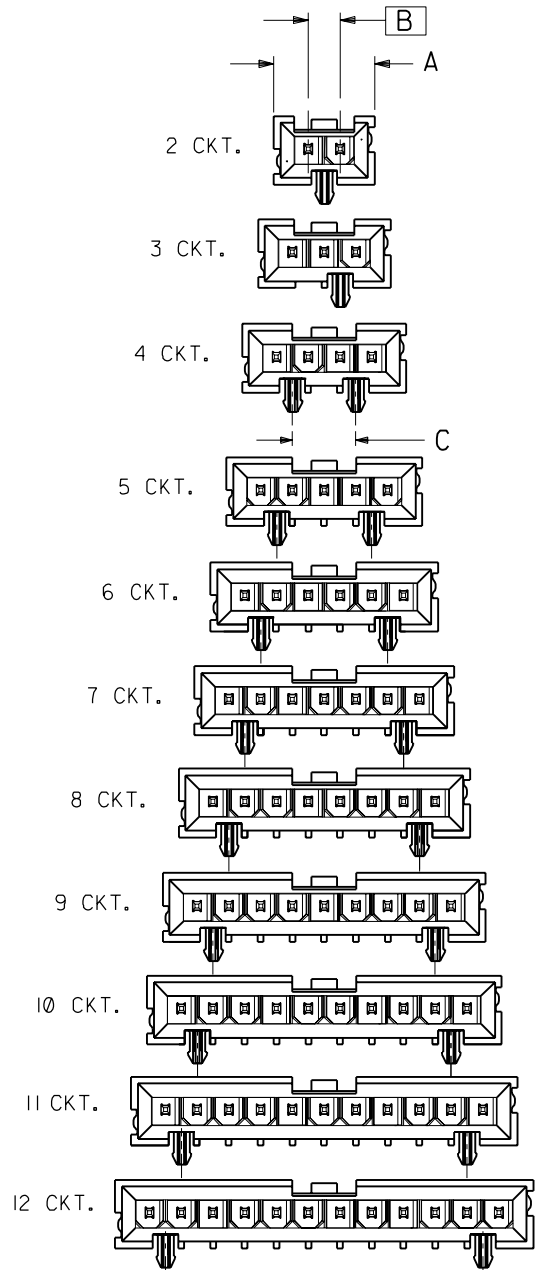


SECTION B-B

OVERALL DIMENSIONS

ASSEMBLIES WITH & WITHOUT PEGS

SIZE	DIM. "A"		DIM. "B" BASIC		DIM. "C" REF.	
	INCH	(MM)	INCH	(MM)	INCH	(MM)
2	0.524	(13.31)	0.1654	(4.200)	N/A	N/A
3	0.689	(17.50)	0.3307	(8.400)	N/A	N/A
4	0.855	(21.71)	0.4961	(12.600)	0.330	(8.40)
5	1.020	(25.91)	0.6614	(16.800)	0.496	(12.60)
6	1.185	(30.10)	0.8268	(21.000)	0.661	(16.80)
7	1.351	(34.31)	0.9921	(25.200)	0.826	(21.00)
8	1.516	(38.50)	1.1575	(29.400)	0.992	(25.20)
9	1.682	(42.72)	1.3228	(33.600)	1.157	(29.40)
10	1.847	(46.91)	1.4882	(37.800)	1.322	(33.60)
11	2.012	(51.10)	1.6535	(42.000)	1.488	(37.80)
12	2.177	(55.30)	1.8189	(46.200)	1.653	(42.00)



RIGHT ANGLE CONFIGURATIONS

DIMENSIONS SHOWN (METRIC) INCH		UNLESS OTHERWISE SPECIFIED TOLERANCES ANGULAR ± 1/2°		REVISIONS ONLY ON CAD SYSTEM	
INCH		METRIC		TITLE	
3 PLACE ± .010	---	---	---	SINGLE ROW MINI-FIT HEADER	
2 PLACE ± .015	± 0.38			RIGHT ANGLE, BLIND MATE	
1 PLACE ---	± 0.25			THRU-HOLE SALES ASSEMBLY	
DRAWING WHERE APPLICABLE MUST REMAIN WITHIN DIMENSIONS		MOLEX INCORPORATED		SHEET NO.	DATE
PART NO. 1515E.JLL. 69532		U.S.A.		2	08/02/93
DRAWING NO. SEE CHART		SDA-71233-*****			
FILE NAME 571233P2	SCALE	THIS DRAWING CONTAINS INFORMATION THAT IS PROPRIETARY TO MOLEX INC. AND SHOULD NOT BE USED WITHOUT WRITTEN PERMISSION.	DIV. TC	SIZE C	

DRWG. BY RWB	CHK'D. BY PAR		
APP'D. BY FAH	SCALE		
LTR.	REVISIONS	LTR.	REVISIONS

HOUSINGS WITH PEGS

SIZE	STAT	ASSEMBLY ITEM NUMBER	PLATING
2		71233-0001	164 PLATE
3		71233-0003	
4		71233-0005	
5		71233-0007	
6		71233-0009	
7		71233-0011	
8		71233-0013	
9		71233-0015	
10		71233-0017	
11		71233-0019	
12		71233-0021	
2		71233-0101	
3		71233-0103	
4		71233-0105	
5		71233-0107	
6		71233-0109	
7		71233-0111	
8		71233-0113	
9		71233-0115	
10		71233-0117	
11		71233-0119	
12		71233-0121	

(POSITIVE LOCK, TRAY PACK)

SIZE	STAT	ASSEMBLY ITEM NUMBER	PLATING
2		71233-0002	164 PLATE
3		71233-0004	
4		71233-0006	
5		71233-0008	
6		71233-0010	
7		71233-0012	
8		71233-0014	
9		71233-0016	
10		71233-0018	
11		71233-0020	
12		71233-0022	
2		71233-0102	
3		71233-0104	
4		71233-0106	
5		71233-0108	
6		71233-0110	
7		71233-0112	
8		71233-0114	
9		71233-0116	
10		71233-0118	
11		71233-0120	
12		71233-0122	

(PASSIVE LOCK, TRAY PACK)

HOUSINGS WITHOUT PEGS

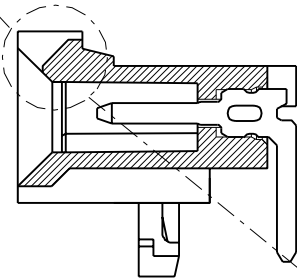
SIZE	STAT	ASSEMBLY ITEM NUMBER	PLATING
2		71233-0201	164 PLATE
3		71233-0203	
4		71233-0205	
5		71233-0207	
6		71233-0209	
7		71233-0211	
8		71233-0213	
9		71233-0215	
10		71233-0217	
11		71233-0219	
12		71233-0221	
2		71233-0301	
3		71233-0303	
4		71233-0305	
5		71233-0307	
6		71233-0309	
7		71233-0311	
8		71233-0313	
9		71233-0315	
10		71233-0317	
11		71233-0319	
12		71233-0321	

(POSITIVE LOCK, TRAY PACK)

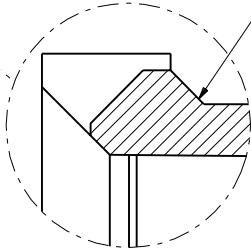
SIZE	STAT	ASSEMBLY ITEM NUMBER	PLATING
2		71233-0202	164 PLATE
3		71233-0204	
4		71233-0206	
5		71233-0208	
6		71233-0210	
7		71233-0212	
8		71233-0214	
9		71233-0216	
10		71233-0218	
11		71233-0220	
12		71233-0222	
2		71233-0302	
3		71233-0304	
4		71233-0306	
5		71233-0308	
6		71233-0310	
7		71233-0312	
8		71233-0314	
9		71233-0316	
10		71233-0318	
11		71233-0320	
12		71233-0322	

(PASSIVE LOCK, TRAY PACK)

POSITIVE LOCK VERSION SHOWN



PASSIVE RAMP



REV. NO.	DATE	BY	CHK'D BY	SCALE
LTR.		FAH	PAR	

DIMENSIONS SHOWN (METRIC) INCH	
3 PLACE ± .005	INCH
2 PLACE ± .01 ± 0.13	METRIC
1 PLACE --- ± 0.25	

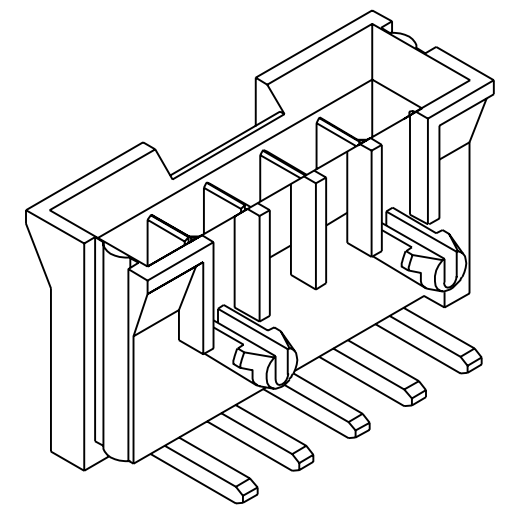
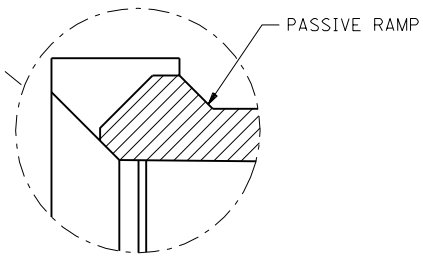
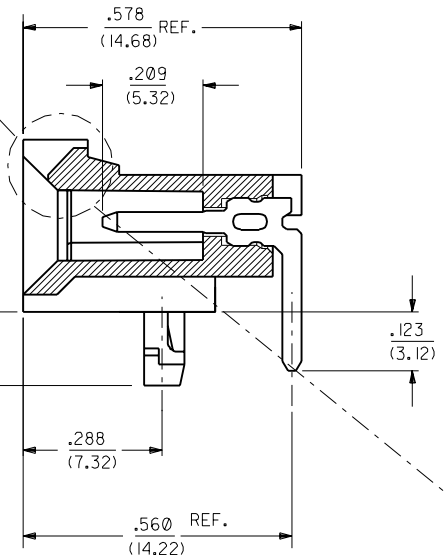
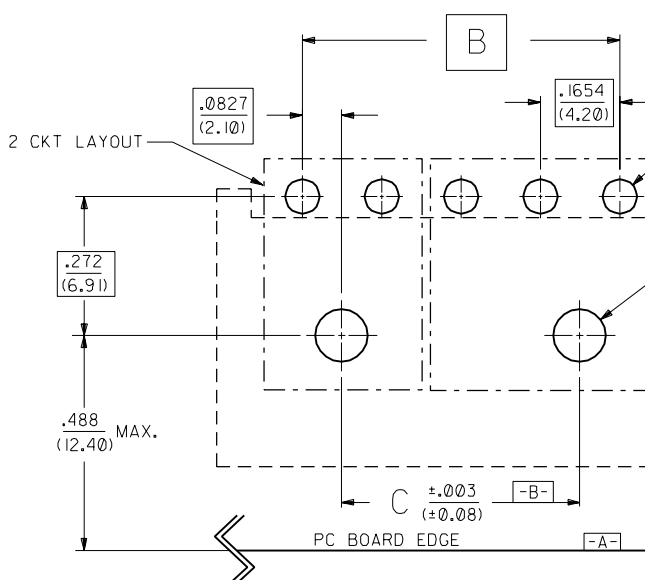
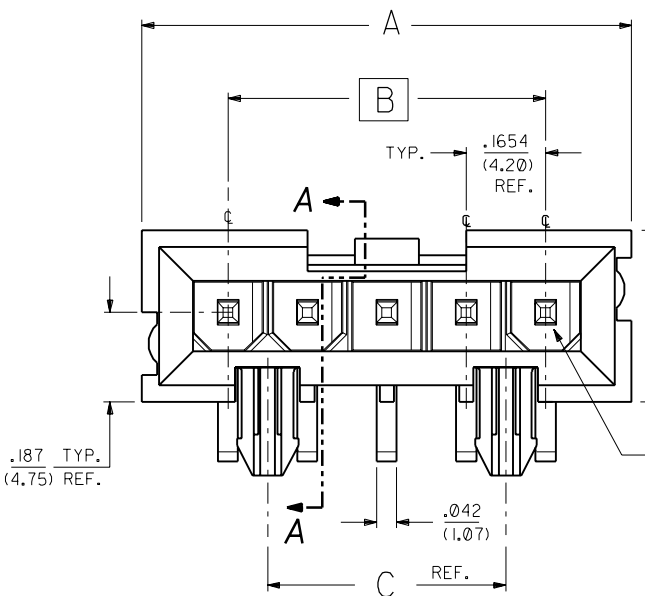
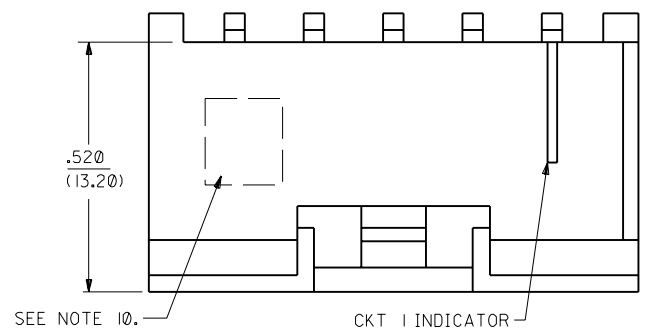
UNLESS OTHERWISE SPECIFIED TOLERANCES ANGULAR ± 1/2°		REVISE ONLY ON CAD SYSTEM	
TITLE SINGLE ROW MINI-FIT HEADER RIGHT ANGLE, BLIND MATE, THRU-HOLE SALES ASSEMBLY			
PART NO. SDA-71233-0000		DATE 08/02/93	
DRAWN BY RWB		CHK'D BY PAR	
APP'D BY FAH		SCALE :	
FILE NAME 571233P3		DIV. TC	

71233

NOTES:

1. ASSEMBLY NO. 71233-0007 SHOWN FOR ILLUSTRATION.
2. MATES WITH PART NO. 71694-****, AND 5557--.
3. SEE FOLLOWING PAGES FOR PART NOS. & CONFIGURATIONS.
4. **PLATING CODE:**
 - (164) .000150/(0.0038) MIN. TIN/LEAD OVERALL, OVER NICKEL OVERALL.
 - (569) .000030/(0.00076) MIN. SELECT GOLD AND .000100/(0.00254) MIN. SELECT TIN/LEAD OVER NICKEL OVERALL.
 - (578) .000015/(0.00038) MIN. SELECT GOLD AND .000150/(0.0038) MIN. SELECT TIN/LEAD OVER NICKEL OVERALL.
5. ITEM NO'S PRECEDED BY AN "X" IN THE CHARTS ARE NOT AVAILABLE.
6. HOUSING MATERIAL: HIGH TEMP. 94V-0 GLASS FILLED POLYESTER MATERIAL COLOR: WHITE.
7. PIN MATERIAL: BRASS.
8. PART CONFORMS TO SPECIFICATION NO. PS-71690-001.
9. **PACKAGING SPECIFICATIONS:**
 - FOR TRAY, SEE PK-71232-0000
 - FOR TUBE, SEE PK-71233-0000

10. LOCATION FOR .25/(6.4) TALL "T" FOR 71233-5005.



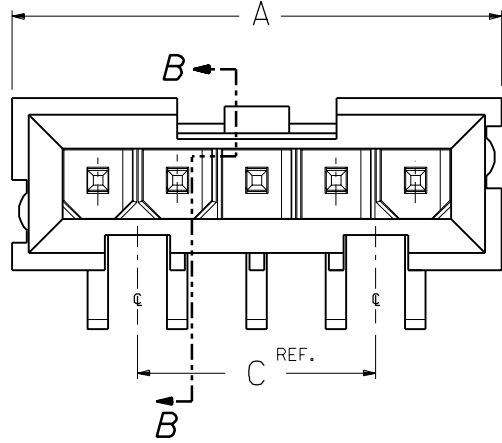
K	CHANGE PROD. SPEC. ECR UBT2001-0195 KMS 9/22/2000	71233
J	CUSTOM "T" NOTE 10 PER EC U80454 ELO 97/8/12	71233
I	ALL WHITE MAT'L PER EC U71003 ELO 97/2/24	71233
H	ADD TUBE OPTION PER ECR U70907 ELO 97/2/20	71233
G	REVISID PER ECR U61108 03/14/96 TSE	71233
F	REV/ADD PLATINGS PER ECR U60547 11/07/95 sas	71233
E	REV PEGS-REM "X" PER ECR U5189 08/02/95 sas	71233
D	REV VIEW/NOTES PER ECR U50607 01/26/95 sas	71233
C	REV CKT PLATING INDICATOR US0005 08/02/94 MURPHY	71233

4	J	B	REVISE DWG PER ECR U40117 6/28/94 sas
3	I	A	INITIAL RELEASE PER ECR U30897 11/11/93 PAR
2	E	A	INITIAL RELEASE PER ECR U30897 11/11/93 PAR
1	K	A	INITIAL RELEASE PER ECR U30897 11/11/93 PAR

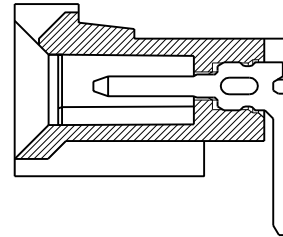
DIMENSIONS SHOWN (METRIC) INCH		UNLESS OTHERWISE SPECIFIED TOLERANCES ANGULAR ± 1/2°	
3 PLACE ±	.010	---	---
2 PLACE ±	.015	± 0.13	---
1 PLACE	---	± 0.25	---
DRAWING INFORMATION			
DRWG. NO.	SEE CHART	DATE	10/19/93
FILE NAME	571233P1	DIV.	512E
APP'D. BY	FAH	SCALE	5: 1
THIS DRAWING CONTAINS INFORMATION THAT IS PROPRIETARY TO MOLEX INC. AND SHOULD NOT BE USED WITHOUT WRITTEN PERMISSION.			

MFG. SH.	REV.	LTR.	REVISIONS
4	J	B	REVISE DWG PER ECR U40117 6/28/94 sas
3	I	A	INITIAL RELEASE PER ECR U30897 11/11/93 PAR
2	E	A	INITIAL RELEASE PER ECR U30897 11/11/93 PAR
1	K	A	INITIAL RELEASE PER ECR U30897 11/11/93 PAR

SEE SHEET 1 FOR ALL OTHER INFORMATION



NO PEG OPTION

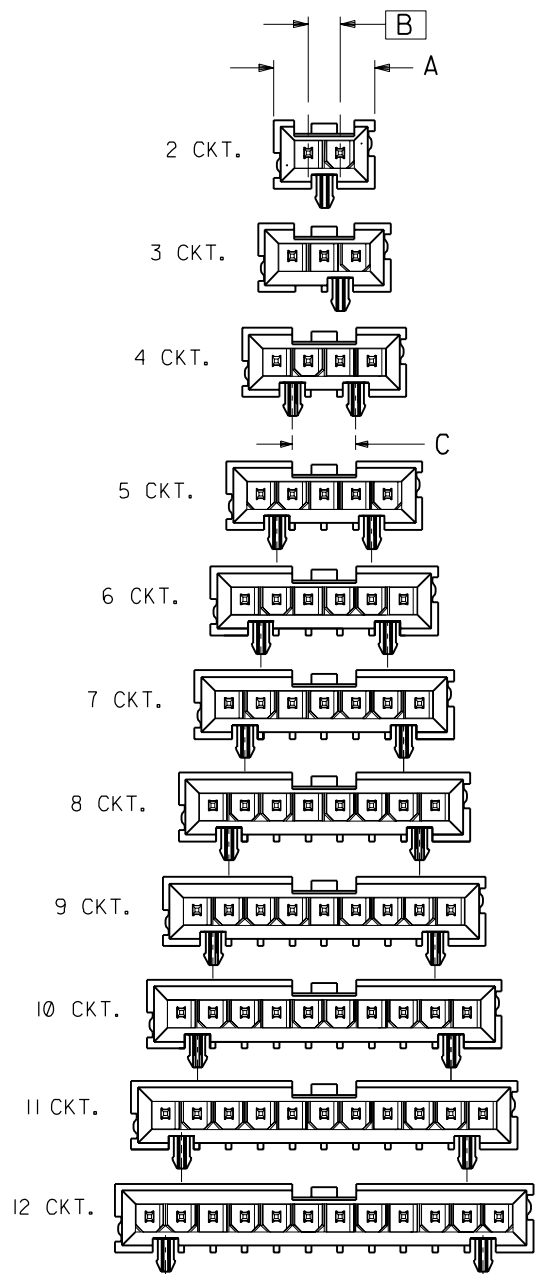


SECTION B-B

OVERALL DIMENSIONS

ASSEMBLIES WITH & WITHOUT PEGS

SIZE	DIM. "A"		DIM. "B" BASIC		DIM. "C" REF.	
	INCH	(MM)	INCH	(MM)	INCH	(MM)
2	0.524	(13.31)	0.1654	(4.200)	N/A	N/A
3	0.689	(17.50)	0.3307	(8.400)	N/A	N/A
4	0.855	(21.71)	0.4961	(12.600)	0.330	(8.40)
5	1.020	(25.91)	0.6614	(16.800)	0.496	(12.60)
6	1.185	(30.10)	0.8268	(21.000)	0.661	(16.80)
7	1.351	(34.31)	0.9921	(25.200)	0.826	(21.00)
8	1.516	(38.50)	1.1575	(29.400)	0.992	(25.20)
9	1.682	(42.72)	1.3228	(33.600)	1.157	(29.40)
10	1.847	(46.91)	1.4882	(37.800)	1.322	(33.60)
11	2.012	(51.10)	1.6535	(42.000)	1.488	(37.80)
12	2.177	(55.30)	1.8189	(46.200)	1.653	(42.00)



RIGHT ANGLE CONFIGURATIONS

DIMENSIONS SHOWN (METRIC) INCH		UNLESS OTHERWISE SPECIFIED TOLERANCES ANGULAR ± 1/2°		REVISIONS		REVISIONS		REVISIONS		REVISIONS		REVISIONS		REVISIONS		REVISIONS		REVISIONS		REVISIONS		REVISIONS	
INCH		METRIC		E		D		B		A		E		D		B		A		E		D	
3 PLACE ± .010		---		SEE SHEET 1		SEE SHEET 1		SEE SHEET 1		SEE SHEET 1		SEE SHEET 1		SEE SHEET 1		SEE SHEET 1		SEE SHEET 1		SEE SHEET 1		SEE SHEET 1	
2 PLACE ± .015		± 0.38		SEE SHEET 1		SEE SHEET 1		SEE SHEET 1		SEE SHEET 1		SEE SHEET 1		SEE SHEET 1		SEE SHEET 1		SEE SHEET 1		SEE SHEET 1		SEE SHEET 1	
1 PLACE ---		± 0.25		SEE SHEET 1		SEE SHEET 1		SEE SHEET 1		SEE SHEET 1		SEE SHEET 1		SEE SHEET 1		SEE SHEET 1		SEE SHEET 1		SEE SHEET 1		SEE SHEET 1	
DRAFT WHERE APPLICABLE MUST REMAIN WITHIN DIMENSIONS		DRAFT WHERE APPLICABLE MUST REMAIN WITHIN DIMENSIONS		DRAFT WHERE APPLICABLE MUST REMAIN WITHIN DIMENSIONS		DRAFT WHERE APPLICABLE MUST REMAIN WITHIN DIMENSIONS		DRAFT WHERE APPLICABLE MUST REMAIN WITHIN DIMENSIONS		DRAFT WHERE APPLICABLE MUST REMAIN WITHIN DIMENSIONS		DRAFT WHERE APPLICABLE MUST REMAIN WITHIN DIMENSIONS		DRAFT WHERE APPLICABLE MUST REMAIN WITHIN DIMENSIONS		DRAFT WHERE APPLICABLE MUST REMAIN WITHIN DIMENSIONS		DRAFT WHERE APPLICABLE MUST REMAIN WITHIN DIMENSIONS		DRAFT WHERE APPLICABLE MUST REMAIN WITHIN DIMENSIONS		DRAFT WHERE APPLICABLE MUST REMAIN WITHIN DIMENSIONS	
DRAWN BY: RWB		CHK'D BY: PAR		DRAWN BY: RWB		CHK'D BY: PAR		DRAWN BY: RWB		CHK'D BY: PAR		DRAWN BY: RWB		CHK'D BY: PAR		DRAWN BY: RWB		CHK'D BY: PAR		DRAWN BY: RWB		CHK'D BY: PAR	
APP'D BY: FAH		SCALE: :		APP'D BY: FAH		SCALE: :		APP'D BY: FAH		SCALE: :		APP'D BY: FAH		SCALE: :		APP'D BY: FAH		SCALE: :		APP'D BY: FAH		SCALE: :	
FILE NAME: 571233P2		SCALE: :		FILE NAME: 571233P2		SCALE: :		FILE NAME: 571233P2		SCALE: :		FILE NAME: 571233P2		SCALE: :		FILE NAME: 571233P2		SCALE: :		FILE NAME: 571233P2		SCALE: :	
MOLEX INC. AND SHOULD NOT BE USED WITHOUT WRITTEN PERMISSION		MOLEX INC. AND SHOULD NOT BE USED WITHOUT WRITTEN PERMISSION		MOLEX INC. AND SHOULD NOT BE USED WITHOUT WRITTEN PERMISSION		MOLEX INC. AND SHOULD NOT BE USED WITHOUT WRITTEN PERMISSION		MOLEX INC. AND SHOULD NOT BE USED WITHOUT WRITTEN PERMISSION		MOLEX INC. AND SHOULD NOT BE USED WITHOUT WRITTEN PERMISSION		MOLEX INC. AND SHOULD NOT BE USED WITHOUT WRITTEN PERMISSION		MOLEX INC. AND SHOULD NOT BE USED WITHOUT WRITTEN PERMISSION		MOLEX INC. AND SHOULD NOT BE USED WITHOUT WRITTEN PERMISSION		MOLEX INC. AND SHOULD NOT BE USED WITHOUT WRITTEN PERMISSION		MOLEX INC. AND SHOULD NOT BE USED WITHOUT WRITTEN PERMISSION		MOLEX INC. AND SHOULD NOT BE USED WITHOUT WRITTEN PERMISSION	

TITLE		REVISIONS		REVISIONS		REVISIONS		REVISIONS		REVISIONS		REVISIONS		REVISIONS		REVISIONS		REVISIONS		REVISIONS		REVISIONS	
SINGLE ROW MINI-FIT HEADER		E		D		B		A		E		D		B		A		E		D		B	
RIGHT ANGLE, BLIND MATE		SEE SHEET 1		SEE SHEET 1		SEE SHEET 1		SEE SHEET 1		SEE SHEET 1		SEE SHEET 1		SEE SHEET 1		SEE SHEET 1		SEE SHEET 1		SEE SHEET 1		SEE SHEET 1	
THRU-HOLE SALES ASSEMBLY		SEE SHEET 1		SEE SHEET 1		SEE SHEET 1		SEE SHEET 1		SEE SHEET 1		SEE SHEET 1		SEE SHEET 1		SEE SHEET 1		SEE SHEET 1		SEE SHEET 1		SEE SHEET 1	
MOLEX INCORPORATED		SEE SHEET 1		SEE SHEET 1		SEE SHEET 1		SEE SHEET 1		SEE SHEET 1		SEE SHEET 1		SEE SHEET 1		SEE SHEET 1		SEE SHEET 1		SEE SHEET 1		SEE SHEET 1	
PART NO. 1515E.JLL. 69532		SEE SHEET 1		SEE SHEET 1		SEE SHEET 1		SEE SHEET 1		SEE SHEET 1		SEE SHEET 1		SEE SHEET 1		SEE SHEET 1		SEE SHEET 1		SEE SHEET 1		SEE SHEET 1	
DATE 08/02/93		SEE SHEET 1		SEE SHEET 1		SEE SHEET 1		SEE SHEET 1		SEE SHEET 1		SEE SHEET 1		SEE SHEET 1		SEE SHEET 1		SEE SHEET 1		SEE SHEET 1		SEE SHEET 1	
U.S.A.		SEE SHEET 1		SEE SHEET 1		SEE SHEET 1		SEE SHEET 1		SEE SHEET 1		SEE SHEET 1		SEE SHEET 1		SEE SHEET 1		SEE SHEET 1		SEE SHEET 1		SEE SHEET 1	
SDA-71233-*****		SEE SHEET 1		SEE SHEET 1		SEE SHEET 1		SEE SHEET 1		SEE SHEET 1		SEE SHEET 1		SEE SHEET 1		SEE SHEET 1		SEE SHEET 1		SEE SHEET 1		SEE SHEET 1	

HOUSINGS WITH PEGS

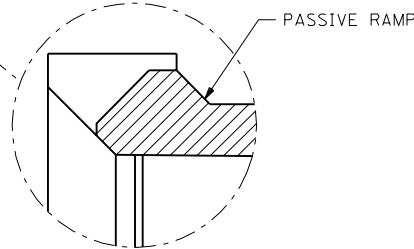
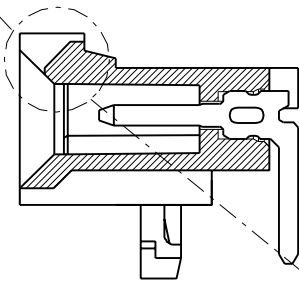
SIZE	STAT	ASSEMBLY ITEM NUMBER	PLATING
2		71233-0001	164 PLATE
3		71233-0003	
4		71233-0005	
5		71233-0007	
6		71233-0009	
7		71233-0011	
8		71233-0013	
9		71233-0015	
10		71233-0017	569 PLATE
11		71233-0019	
12		71233-0021	
2		71233-0101	
3		71233-0103	
4		71233-0105	
5		71233-0107	
6		71233-0109	
7		71233-0111	
8		71233-0113	
9		71233-0115	
10		71233-0117	
11		71233-0119	
12		71233-0121	

(POSITIVE LOCK, TRAY PACK)

SIZE	STAT	ASSEMBLY ITEM NUMBER	PLATING
2		71233-0002	164 PLATE
3		71233-0004	
4		71233-0006	
5		71233-0008	
6		71233-0010	
7		71233-0012	
8		71233-0014	
9		71233-0016	
10		71233-0018	569 PLATE
11		71233-0020	
12		71233-0022	
2		71233-0102	
3		71233-0104	
4		71233-0106	
5		71233-0108	
6		71233-0110	
7		71233-0112	
8		71233-0114	
9		71233-0116	
10		71233-0118	
11		71233-0120	
12		71233-0122	

(PASSIVE LOCK, TRAY PACK)

POSITIVE LOCK VERSION SHOWN



PASSIVE RAMP

HOUSINGS WITHOUT PEGS

SIZE	STAT	ASSEMBLY ITEM NUMBER	PLATING
2		71233-0201	164 PLATE
3		71233-0203	
4		71233-0205	
5		71233-0207	
6		71233-0209	
7		71233-0211	
8		71233-0213	
9		71233-0215	
10		71233-0217	569 PLATE
11		71233-0219	
12		71233-0221	
2		71233-0301	
3		71233-0303	
4		71233-0305	
5		71233-0307	
6		71233-0309	
7		71233-0311	
8		71233-0313	
9		71233-0315	
10		71233-0317	
11		71233-0319	
12		71233-0321	

(POSITIVE LOCK, TRAY PACK)

SIZE	STAT	ASSEMBLY ITEM NUMBER	PLATING
2		71233-0202	164 PLATE
3		71233-0204	
4		71233-0206	
5		71233-0208	
6		71233-0210	
7		71233-0212	
8		71233-0214	
9		71233-0216	
10		71233-0218	569 PLATE
11		71233-0220	
12		71233-0222	
2		71233-0302	
3		71233-0304	
4		71233-0306	
5		71233-0308	
6		71233-0310	
7		71233-0312	
8		71233-0314	
9		71233-0316	
10		71233-0318	
11		71233-0320	
12		71233-0322	

(PASSIVE LOCK, TRAY PACK)

I SEE SHEET I		DIMENSIONS SHOWN (METRIC) INCH		REVISE ONLY ON CAD SYSTEM	
G SEE SHEET I		UNLESS OTHERWISE SPECIFIED TOLERANCES ANGULAR ± 1/2°		TITLE SINGLE ROW MINI-FIT HEADER RIGHT ANGLE, BLIND MATE, THRU-HOLE SALES ASSEMBLY	
F SEE SHEET I		INCH METRIC		MOLEX INCORPORATED SHEET NO. DATE	
E SEE SHEET I		3 PLACE ± .005 ---		L15LEJLL. 69532 U.S.A. 3 08/02/93	
C SEE SHEET I		2 PLACE ± .01 ± 0.13		PART NO. DRWG. NO.	
A SEE SHEET I		1 PLACE --- ± 0.25		SEE CHART SDA-71233-*****	
LTR. REVISIONS		DRAFT WHERE APPLICABLE MUST REMAIN WITHIN DIMENSIONS		FILE NAME 571233P3	
LTR. REVISIONS		DRWG. BY RWB CHK'D BY PAR		THIS DRAWING CONTAINS INFORMATION THAT IS PROPRIETARY TO MOLEX INC. AND SHOULD NOT BE USED WITHOUT WRITTEN PERMISSION.	
		APP'D BY FAH SCALE :		DIV. TC	

HOUSINGS WITH PEGS

SIZE	STAT	ASSEMBLY ITEM NUMBER	PLATING
2		71233-0401	578 PLATE
3		71233-0403	
4		71233-0405	
5		71233-0407	
6		71233-0409	
7		71233-0411	
8		71233-0413	
9		71233-0415	
10		71233-0417	
11		71233-0419	
12		71233-0421	

(POSITIVE LOCK, TRAY PACK)

SIZE	STAT	ASSEMBLY ITEM NUMBER	PLATING
2		71233-0402	578 PLATE
3		71233-0404	
4		71233-0406	
5		71233-0408	
6		71233-0410	
7		71233-0412	
8		71233-0414	
9		71233-0416	
10		71233-0418	
11		71233-0420	
12		71233-0422	

(PASSIVE LOCK, TRAY PACK)

HOUSINGS WITHOUT PEGS

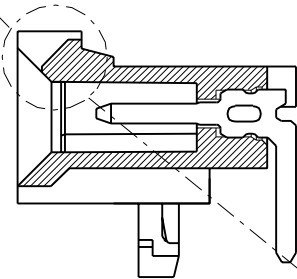
SIZE	STAT	ASSEMBLY ITEM NUMBER	PLATING
2		71233-0501	578 PLATE
3		71233-0503	
4		71233-0505	
5		71233-0507	
6		71233-0509	
7		71233-0511	
8		71233-0513	
9		71233-0515	
10		71233-0517	
11		71233-0519	
12		71233-0521	

(POSITIVE LOCK, TRAY PACK)

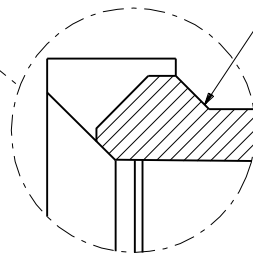
SIZE	STAT	ASSEMBLY ITEM NUMBER	PLATING
2		71233-0502	578 PLATE
3		71233-0504	
4		71233-0506	
5		71233-0508	
6		71233-0510	
7		71233-0512	
8		71233-0514	
9		71233-0516	
10		71233-0518	
11		71233-0520	
12		71233-0522	

(PASSIVE LOCK, TRAY PACK)

POSITIVE LOCK VERSION SHOWN



PASSIVE RAMP



HOUSINGS WITH PEGS

SIZE	STAT	ASSEMBLY ITEM NUMBER	PLATING
3		71233-1003	164 PLATE

(POSITIVE LOCK, TUBE PACK)

CUSTOM "T" OPTION

SIZE	STAT	ASSEMBLY ITEM NUMBER	PLATING
4		71233-5005	164 PLATE

(POSITIVE LOCK, TRAY PACK)
SIMILAR TO 71233-5005, SEE NOTE 10., SHEET 1

DIMENSIONS SHOWN (METRIC) INCH
UNLESS OTHERWISE SPECIFIED
TOLERANCES ANGULAR ± 1/2°

	INCH	METRIC
3 PLACE	± .005	---
2 PLACE	± .01	± 0.13
1 PLACE	---	± 0.25

DRAFT WHERE APPLICABLE MUST REMAIN WITHIN DIMENSIONS

DRWG. BY: RWB CHK'D. BY: PAR
APP'D. BY: FAH SCALE: :

REVISE ONLY ON CAD SYSTEM

TITLE: SINGLE ROW MINI-FIT HEADER
RIGHT ANGLE, BLIND MATE,
THRU-HOLE SALES ASSEMBLY

MOLEX INCORPORATED U.S.A.
L15LE.JLL. 69532

PART NO. SDA-71233-*****
SHEET NO. 4 DATE 11/07/95

FILE NAME: 571233P4.DWG
DIV. TC

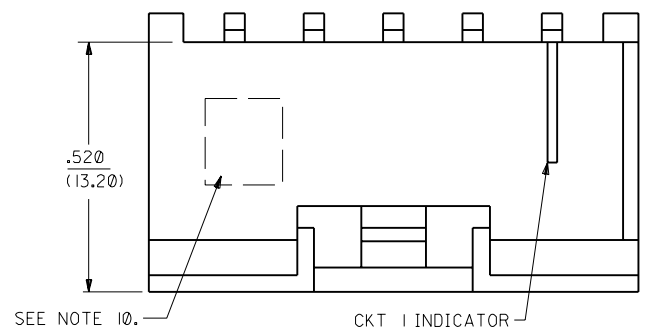
REV.	DATE	DESCRIPTION	BY	CHK'D.
J		SEE SHEET 1		
I		SEE SHEET 1		
H		SEE SHEET 1		
G		SEE SHEET 1		
F		SEE SHEET 1		
LTR.		REVISIONS	LTR.	REVISIONS

71233

NOTES:

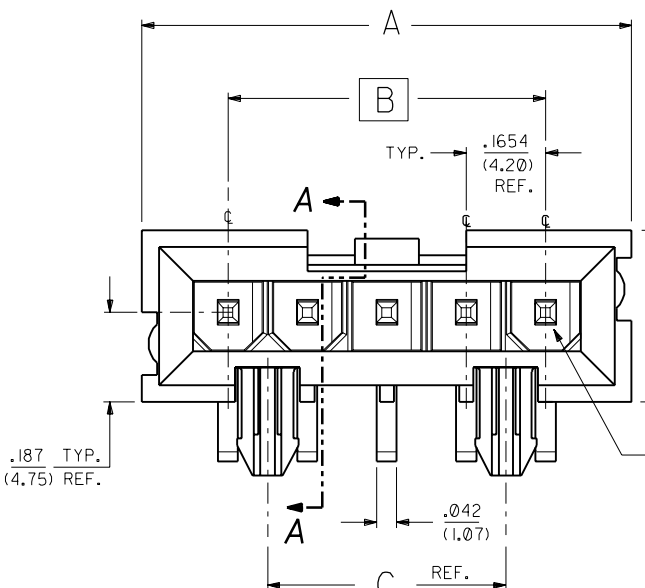
- 1. ASSEMBLY NO. 71233-0007 SHOWN FOR ILLUSTRATION.
- 2. MATES WITH PART NO. 71694-****, AND 5557--.
- 3. SEE FOLLOWING PAGES FOR PART NOS. & CONFIGURATIONS.
- 4. PLATING CODE:
 (164) .000150/(0.0038) MIN. TIN/LEAD OVERALL, OVER NICKEL OVERALL.
 (569) .000030/(0.00076) MIN. SELECT GOLD AND .000100/(0.00254) MIN. SELECT TIN/LEAD OVER NICKEL OVERALL.
 (578) .000015/(0.00038) MIN. SELECT GOLD AND .000150/(0.0038) MIN. SELECT TIN/LEAD OVER NICKEL OVERALL.
- 5. ITEM NO'S PRECEDED BY AN 'X' IN THE CHARTS ARE NOT AVAILABLE.
- 6. HOUSING MATERIAL: HIGH TEMP. 94V-0 GLASS FILLED POLYESTER MATERIAL COLOR: WHITE.
- 7. PIN MATERIAL: BRASS.
- 8. PART CONFORMS TO SPECIFICATION NO. PS-71690-001.
- 9. PACKAGING SPECIFICATIONS:
 FOR TRAY, SEE PK-71232-0000
 FOR TUBE, SEE PK-71233-0000

10. LOCATION FOR .25/(6.4) TALL "T" FOR 71233-5005.



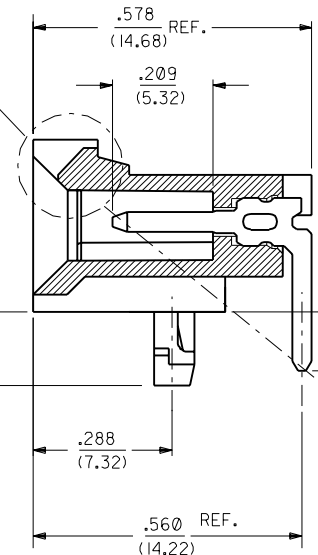
SEE NOTE 10.

CKT 1 INDICATOR

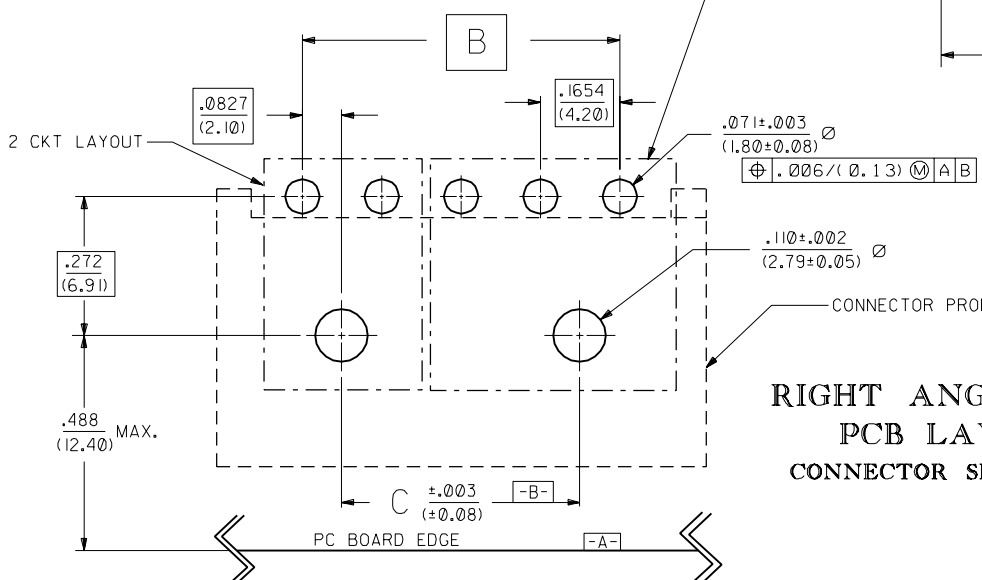


POSITIVE LOCK VERSION SHOWN

CIRCUIT 1

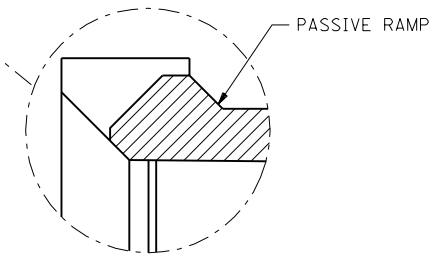
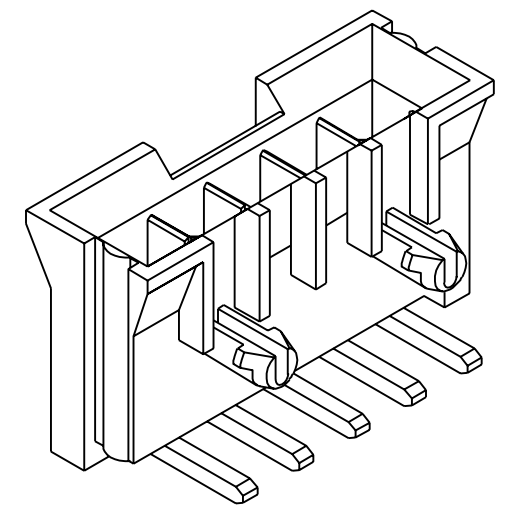


SECTION A-A



CONNECTOR PROFILE SHOWN FOR REFERENCE ONLY

RIGHT ANGLE TAIL PCB LAYOUT CONNECTOR SIDE SHOWN



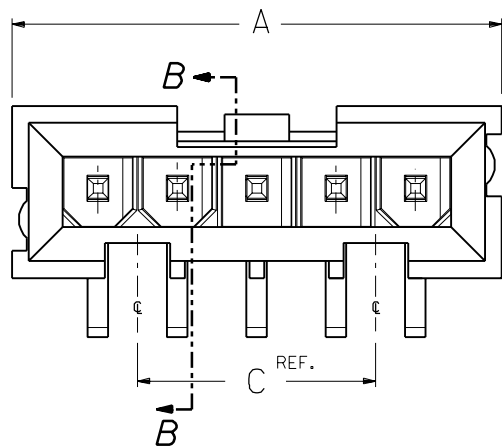
PASSIVE LOCK OPTION

K	CHANGE PROD. SPEC. ECR UBT2001-0195 KMS 9/22/2000	71233
J	CUSTOM "T" NOTE 10 PER EC U80454 ELO 97/8/12	71233
I	ALL WHITE MAT'L PER EC U71003 ELO 97/2/24	71233
H	ADD TUBE OPTION PER ECR U70907 ELO 97/2/20	71233
G	REVISID PER ECR U61108 03/14/96 TSE	71233
F	REV/ADD PLATINGS PER ECR U60547 11/07/95 sas	71233
E	REV PEGS-REM "X" PER ECR U5189 08/02/95 sas	71233
D	REV VIEW/NOTES PER ECR U50607 01/26/95 sas	71233
C	REV CKT PLATING INDICATOR U50005 08/02/94 MURPHY	71233

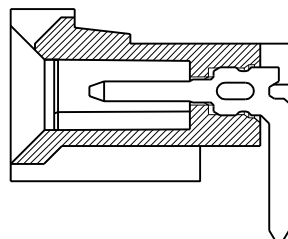
4	J	B	REVISE DWG PER ECR U40117 6/28/94 sas
3	I	B	REVISE DWG PER ECR U40117 6/28/94 sas
2	E	A	INITIAL RELEASE PER ECR U50897 11/11/93 PAR
1	K	A	INITIAL RELEASE PER ECR U50897 11/11/93 PAR

DIMENSIONS SHOWN (METRIC) INCH		TITLE	
UNLESS OTHERWISE SPECIFIED TOLERANCES ANGULAR ± 1/2°		SINGLE ROW MINI-FIT HEADER BLIND MATE, RIGHT ANGLE THRU-HOLE SALES ASSEMBLY	
INCH METRIC		FORM: MOLEX INCORPORATED SHEET NO. DATE	
3 PLACE ± .010 ---	---	L15LE.ILL. 60532 U.S.A. 1 OF 4	07/19/93
2 PLACE ± .015 ± 0.13	---	PART NO. DRWG. NO.	
1 PLACE --- ± 0.25	---	SEE CHART	SDA-71233-****
DRAFT WHERE APPLICABLE MUST REMAIN WITHIN DIMENSIONS			
DRWG. BY: RWB	CHK'D. BY: PAR	FILE NAME: S71233P1	DIV. 512E
APP'D. BY: FAH	SCALE: 5: 1	THIS DRAWING CONTAINS INFORMATION THAT IS PROPRIETARY TO MOLEX INC. AND SHOULD NOT BE USED WITHOUT WRITTEN PERMISSION.	

SEE SHEET 1 FOR ALL OTHER INFORMATION



NO PEG OPTION

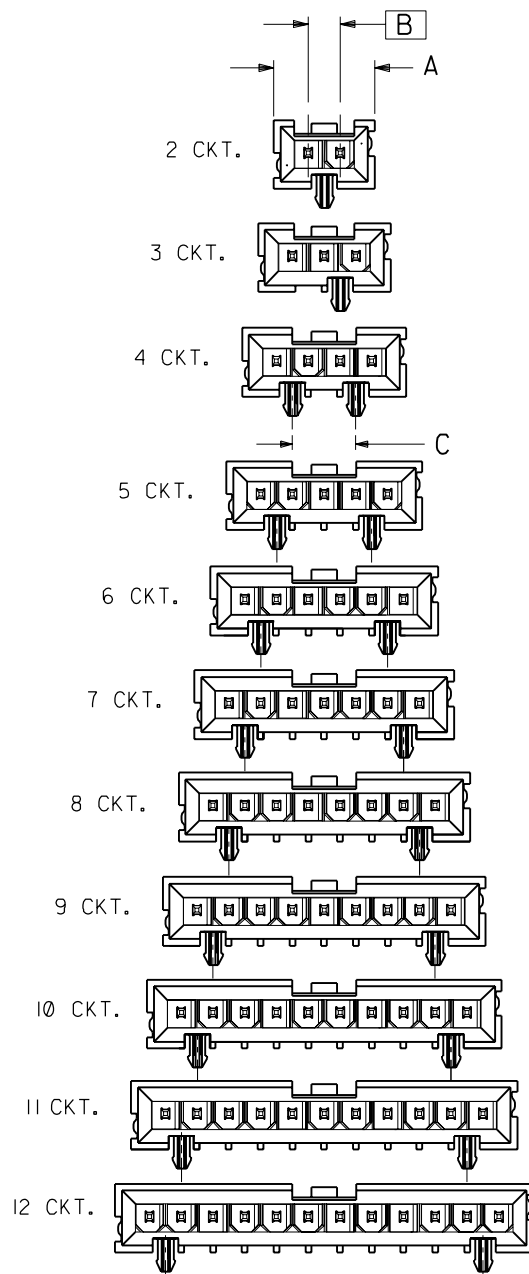


SECTION B-B

OVERALL DIMENSIONS

ASSEMBLIES WITH & WITHOUT PEGS

SIZE	DIM. "A"		DIM. "B" BASIC		DIM. "C" REF.	
	INCH	(MM)	INCH	(MM)	INCH	(MM)
2	0.524	(13.31)	0.1654	(4.200)	N/A	N/A
3	0.689	(17.50)	0.3307	(8.400)	N/A	N/A
4	0.855	(21.71)	0.4961	(12.600)	0.330	(8.40)
5	1.020	(25.91)	0.6614	(16.800)	0.496	(12.60)
6	1.185	(30.10)	0.8268	(21.000)	0.661	(16.80)
7	1.351	(34.31)	0.9921	(25.200)	0.826	(21.00)
8	1.516	(38.50)	1.1575	(29.400)	0.992	(25.20)
9	1.682	(42.72)	1.3228	(33.600)	1.157	(29.40)
10	1.847	(46.91)	1.4882	(37.800)	1.322	(33.60)
11	2.012	(51.10)	1.6535	(42.000)	1.488	(37.80)
12	2.177	(55.30)	1.8189	(46.200)	1.653	(42.00)



RIGHT ANGLE CONFIGURATIONS

DIMENSIONS SHOWN (METRIC) INCH UNLESS OTHERWISE SPECIFIED TOLERANCES ANGULAR ± 1/2°		REVISE ONLY ON CAD SYSTEM	
INCH METRIC		TITLE	
3 PLACE ± .010	---	SINGLE ROW MINI-FIT HEADER RIGHT ANGLE, BLIND MATE THRU-HOLE SALES ASSEMBLY	
2 PLACE ± .015 ± 0.38		MOLEX INCORPORATED SHEET NO. DATE	
1 PLACE --- ± 0.25		1515E.JLL. 69532 U.S.A. 2 08/02/93	
DRAFT WHERE APPLICABLE MUST REMAIN WITHIN DIMENSIONS		PART NO. DRWG. NO.	
DRAWN BY: RWB CHK'D BY: PAR		SEE CHART SDA-71233-*****	
APP'D BY: FAH SCALE: :		FILE NAME: 571233P2 MOLEX INC. AND SHOULD NOT BE USED WITHOUT WRITTEN PERMISSION.	

LTR.	REVISIONS	LTR.	REVISIONS
	E		SEE SHEET 1
	D		SEE SHEET 1
	B		SEE SHEET 1
	A		SEE SHEET 1

HOUSINGS WITH PEGS

SIZE	STAT	ASSEMBLY ITEM NUMBER	PLATING
2		71233-0401	578 PLATE
3		71233-0403	
4		71233-0405	
5		71233-0407	
6		71233-0409	
7		71233-0411	
8		71233-0413	
9		71233-0415	
10		71233-0417	
11		71233-0419	
12		71233-0421	

(POSITIVE LOCK, TRAY PACK)

SIZE	STAT	ASSEMBLY ITEM NUMBER	PLATING
2		71233-0402	578 PLATE
3		71233-0404	
4		71233-0406	
5		71233-0408	
6		71233-0410	
7		71233-0412	
8		71233-0414	
9		71233-0416	
10		71233-0418	
11		71233-0420	
12		71233-0422	

(PASSIVE LOCK, TRAY PACK)

HOUSINGS WITHOUT PEGS

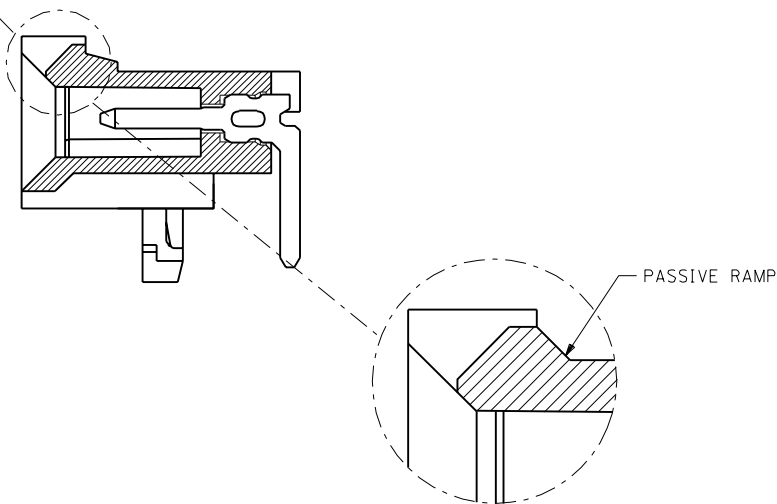
SIZE	STAT	ASSEMBLY ITEM NUMBER	PLATING
2		71233-0501	578 PLATE
3		71233-0503	
4		71233-0505	
5		71233-0507	
6		71233-0509	
7		71233-0511	
8		71233-0513	
9		71233-0515	
10		71233-0517	
11		71233-0519	
12		71233-0521	

(POSITIVE LOCK, TRAY PACK)

SIZE	STAT	ASSEMBLY ITEM NUMBER	PLATING
2		71233-0502	578 PLATE
3		71233-0504	
4		71233-0506	
5		71233-0508	
6		71233-0510	
7		71233-0512	
8		71233-0514	
9		71233-0516	
10		71233-0518	
11		71233-0520	
12		71233-0522	

(PASSIVE LOCK, TRAY PACK)

POSITIVE LOCK
VERSION SHOWN



HOUSINGS WITH PEGS

SIZE	STAT	ASSEMBLY ITEM NUMBER	PLATING
3		71233-1003	164 PLATE

(POSITIVE LOCK, TUBE PACK)

CUSTOM "T" OPTION

SIZE	STAT	ASSEMBLY ITEM NUMBER	PLATING
4		71233-5005	164 PLATE

(POSITIVE LOCK, TRAY PACK)
SIMILAR TO 71233-5005, SEE NOTE 10., SHEET 1

DIMENSIONS SHOWN (METRIC) INCH UNLESS OTHERWISE SPECIFIED TOLERANCES ANGULAR $\pm 1/2^\circ$		REVISE ONLY ON CAD SYSTEM	
3 PLACE $\pm .005$	INCH	TITLE	
2 PLACE $\pm .01$	METRIC	SINGLE ROW MINI-FIT HEADER	
1 PLACE --- ± 0.25		RIGHT ANGLE, BLIND MATE, THRU-HOLE SALES ASSEMBLY	
DRAFT WHERE APPLICABLE MUST REMAIN WITHIN DIMENSIONS		MOLEX INCORPORATED U.S.A.	
PART NO. 69532		SHEET NO. 4	
DATE 11/07/95		DATE 11/07/95	
DRAWG. NO. SDA-71233-*****		DRAWG. NO. SDA-71233-*****	
FILE NAME 571233P4		DIV. TC	
MOLX INC. AND SHOULD NOT BE USED WITHOUT WRITTEN PERMISSION		SIZE IC	
DRWG. BY: RWB	CHK'D. BY: PAR	SEE CHART	
APP'D. BY: FAH	SCALE:		
LTR. REVISIONS	LTR. REVISIONS		