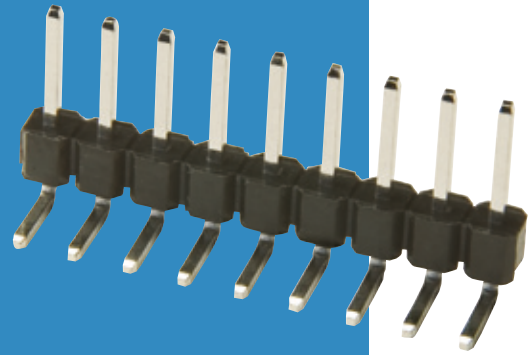


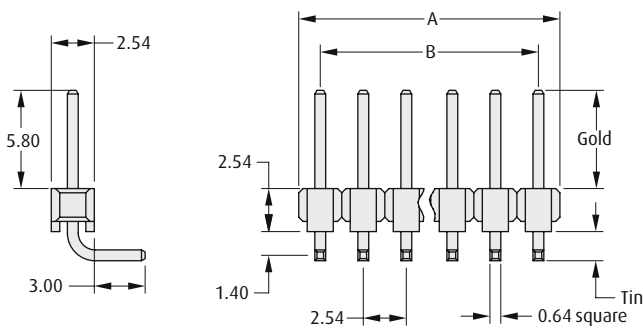
M20 Connectors

Male Horizontal Single Row PC Tail

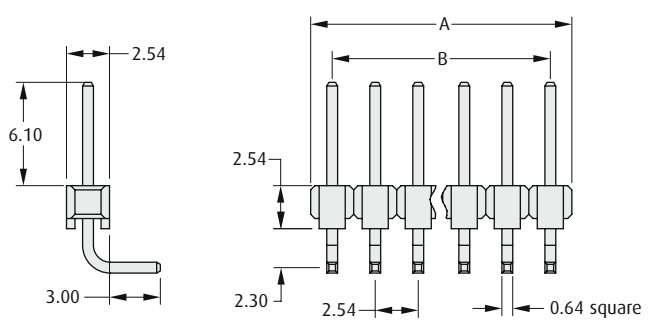
- Horizontal orientation for 90° board-to-board applications.
- Pin headers can be cut into smaller sizes.
- Choice of mating pin lengths or specify your own pin headers (see page 152).
- Suitable for use with female connectors and jumper sockets shown on pages 140 to 145.



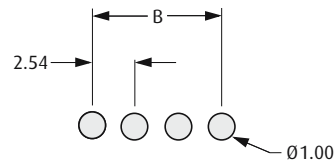
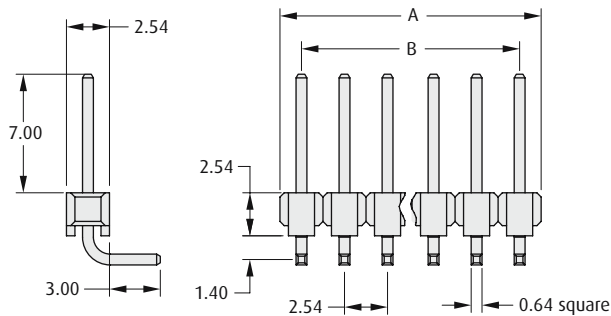
5.8mm



6.1mm



7.0mm



Recommended PC Board Pattern

CALCULATION

A	2.54 x No. of contacts per row
B	2.54 x (No. of contacts per row - 1)

HOW TO ORDER

M20 - 9 XX XX XX

SERIES CODE

SIZE

71	7.0mm Mating Height
75	5.8mm Mating Height
96	6.1mm Mating Height

NO. OF CONTACTS PER ROW

02 to 40

FINISH

42	Gold + Tin (M20-975)	PG
45	Gold (M20-971, 996)	PG
46	Tin	PG

All dimensions in mm.

2.54mm (.100") PITCH