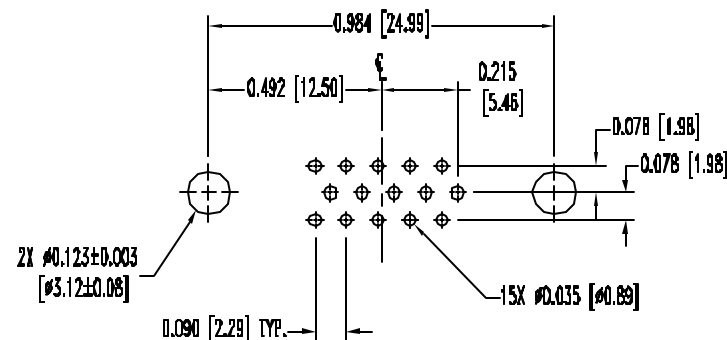
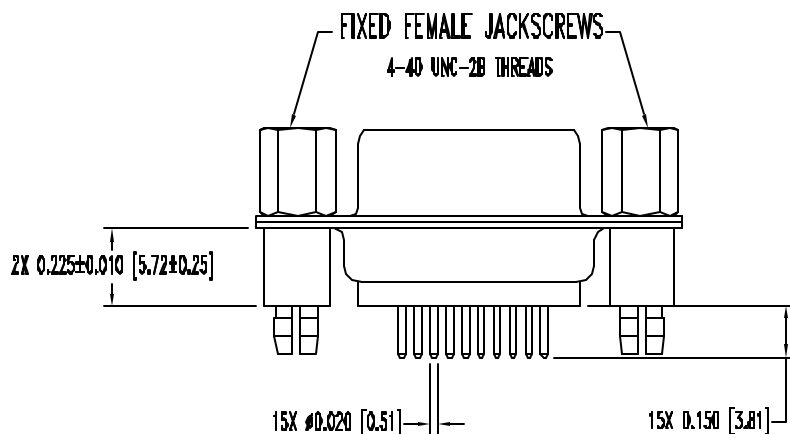
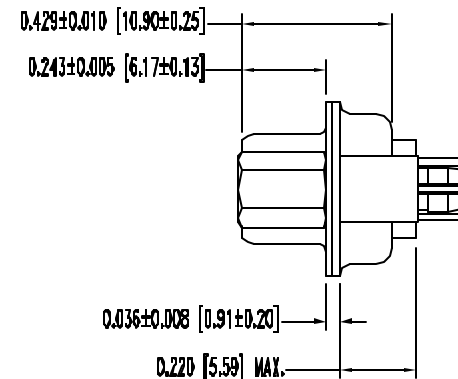
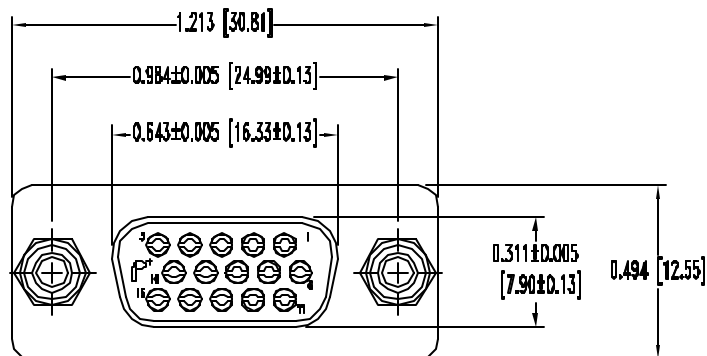


POSITRONIC INDUSTRIES BELIEVES THE DATA ON THIS DRAWING TO BE RELIABLE, SINCE THE TECHNICAL INFORMATION IS GIVEN FREE OF CHARGE, THE USER EMPLOYS SUCH INFORMATION AT HIS OWN DISCRETION AND RISK. POSITRONIC INDUSTRIES ASSUMES NO RESPONSIBILITY FOR RESULTS OBTAINED OR DAMAGES INCURRED FROM USE OF SUCH INFORMATION IN WHOLE OR IN PART.

SK4086

DATE	REV	REVISION RECORD	APP	DR	CK
12-10-01	NC	ECO 18748		ME	



NOTES:

1. MATERIALS AND FINISHES:

INSULATOR: GLASS FILLED POLYESTER PER MIL-N-24519, UL 94V-0, BLACK COLOR.
 CONTACTS: PRECISION MACHINED HIGH TENSILE PHOSPHOR BRONZE, GOLD FLASH OVER NICKEL PLATE.
 SHELLS: STEEL WITH ZINC PLATE AND DICHROMATE SEAL.
 JACKSCREWS: STEEL WITH ZINC PLATE AND DICHROMATE SEAL.
 PUSH-ON FASTENERS: PHOSPHOR BRONZE WITH TIN PLATE.

2. ELECTRICAL CHARACTERISTICS:

CONTACT CURRENT RATING: 5 AMPERES NOMINAL.
 INITIAL CONTACT RESISTANCE: 0.010 OHMS MAXIMUM.
 INSULATOR RESISTANCE: 5 G OHMS.
 WORKING VOLTAGE: 300 V. r. m. s.

3. TEMPERATURE RANGE: -55°C TO +125°C.

4. DIMENSIONS ARE IN INCHES [MILLIMETERS].

CONTACT HOLE PATTERN



POSITRONIC INDUSTRIES INC.
 www.connectpositronic.com



DECIMAL TOL.
 ± 0.015 [0.38]

WF # 4230

ANGULAR TOL.
 ± 5°

ODD SERIES

TITLE

ODD15F3S60T0

DATE

12-10-01

DRAWING NUMBER

SK4086

SCALE
 N.T.S.

DRAWN BY
 APPROVED BY

M. ENBA

REV.

NC