

REVISIONS				
LTR	DESCRIPTION	DATE	APPROVED	
A	INITIAL RELEASE SEE DO 3946	DL 04/04/00	A.J.	
B	SEE DO 4010	CW 05/12/00	A.J.	
C	SEE DO 4069	JL 06/30/00	A.J.	
D	SEE DO 4093 & DO 4094	CW 07/24/00	A.J.	
E	SEE DO 4111	CW 08/03/00	A.J.	
F	SEE DO 4119	CW 08/11/00	A.J.	
G	SEE DO 4584	AJ 08/10/01	L.F.	
H	SEE DO 7006	CP 10/20/10	A.J.	
J	SEE DO 7036	CP 11/08/10	I.M.	

## CA-XXH2-XX-X

NO. OF POS. \_\_\_\_\_  
 HEADER VALUE LINE \_\_\_\_\_

TAIL LENGTH **6** : \_\_\_\_\_  
 1 = .138 [3.50]  
 3 = .228 [5.80]

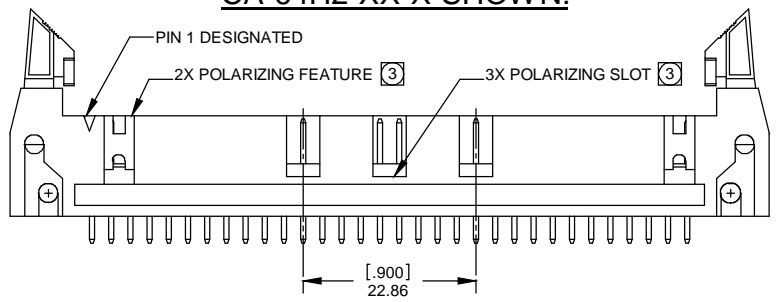
PLATING **4** : \_\_\_\_\_  
 A = GOLD FLASH  
 C = CONTACT AREA: .000015 GOLD  
 TAIL AREA: .000100 TIN  
 UNDERPLATE: .000050 NICKEL

LATCH OPTIONS **7** : \_\_\_\_\_  
 S = SHORT LATCHES  
 SR = LONG LATCHES  
 (FOR USE WITH STRAIN RELIEF)

### TABULATION:

No. of Positions	Dim. A	Dim. B	Dim. C	Dim. D	Dim. E
10	1.256	0.400	1.000	0.854	0.719
	31.90	10.16	27.68	21.70	18.25
14	1.456	0.600	1.290	1.054	0.919
	36.98	15.24	32.76	26.78	23.33
16	1.556	0.700	1.390	1.154	1.019
	39.52	17.78	35.30	29.32	25.87
20	1.756	0.900	1.590	1.354	1.219
	44.60	22.86	40.38	34.40	30.95
24	1.956	1.100	1.790	1.554	1.419
	49.68	27.94	45.46	39.48	36.03
26	2.056	1.200	1.890	1.654	1.519
	52.22	30.48	48.00	42.02	38.57
30	2.256	1.400	2.090	1.854	1.719
	57.30	35.56	53.08	47.10	43.65
34	2.456	1.600	2.290	2.054	1.919
	62.38	40.64	58.16	52.18	48.73
40	2.756	1.900	2.590	2.354	2.219
	70.00	48.26	65.78	59.80	56.35
50	3.256	2.400	3.090	2.854	2.719
	82.70	60.96	78.48	72.50	69.05
60	3.756	2.900	3.590	3.354	3.219
	95.40	73.66	91.18	85.20	81.75
64	3.956	3.100	3.790	3.554	3.419
	100.48	78.74	96.26	90.28	86.83

### CA-64H2-XX-X SHOWN.



5. MEETS THE REQUIREMENTS OF DIRECTIVE 2002/95/EC OF THE EUROPEAN PARLIAMENT AND OF THE COUNCIL OF 27 JANUARY 2003 ON THE RESTRICTION OF THE USE OF CERTAIN HAZARDOUS SUBSTANCES IN ELECTRICAL AND ELECTRONIC EQUIPMENT. (RoHS)

**4** ADDITIONAL PLATING OPTIONS AVAILABLE.

**3**  
 -SIZE 10 TO 16 PIN HAVE 1 POLARIZING SLOT.  
 -SIZE 20 TO 50 PIN HAVE 1 POLARIZING SLOT, 2 POLARIZING FEATURES.  
 -SIZE 60 TO 64 PIN HAVE 3 POLARIZING SLOTS, 2 POLARIZING FEATURES.

2. CONTACT MATERIAL: BRASS.  
 CONTACT PLATING: SEE ORDERING NOMENCLATURE.

1. INSULATOR MATERIAL: PBT, UL94V-0, COLOR : BLACK.

NOTES: UNLESS OTHERWISE SPECIFIED

DIMENSIONS ARE IN MILLIMETERS  
 TOLERANCES ARE:  
 DECIMALS ANGLES  
 X ±.25 33°  
 XX ±.13  
 DIMENSIONS IN BRACKETS (XX.X)  
 ARE IN INCHES, TOLERANCES  
 ARE:  
 DECIMALS ANGLES  
 XX ±.010 33°  
 XX ±.005  
 DO NOT SCALE DRAWING

APPROVALS	DATE
DRAWN D. LANG	4/4/00
CHECKED A. JOCHEN	4/4/00

**CA** CIRCUIT ASSEMBLY CORP.  
 18 THOMAS ST., IRVINE, CALIFORNIA 92618-2777

**CONNECTOR ASSEMBLY 'ROHS'**  
**CA-XXH2-XX-X**  
**H2 SERIES**

SIZE	CODE IDENT NO.	DRAWING NO.	REV.
C	52072	620413	J

SCALE: 2:1 SHEET 1