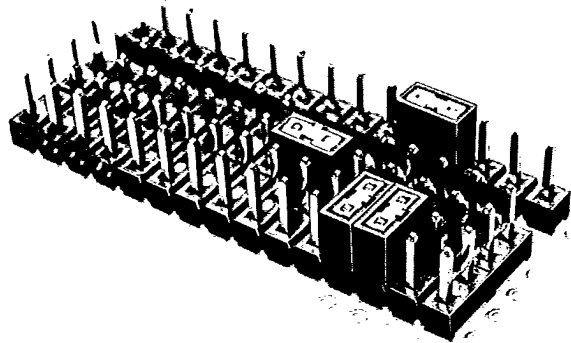


TWO-CONTACT SHORT CIRCUIT SOCKET & LOW PROFILE PIN HEADER

A-61-05-07



Two-contact short circuit socket and low profile pin header, which can switch or convert circuit on PCB without using switch. Small and light-weight sockets, best suitable for high density packaging on PCB, feature low cost and easy handling.

- Socket connector has highly reliable socket contact of the 2-point connecting structure.
- Small and light weight connector with height of .177 (4.5) can be assembled in low packaging in combination with counterpart pin header of which insulator height is .10 (2.54).
- .10 (2.54) pitch, high density packaging lengthwise and laterally
- Rated current: 3A, DWV: 1,000 VAC rms (one minute), Contact resistance: 20 mΩ max. (initial)
- Pin header PCB mounting hole: .031 (0.8) dia.

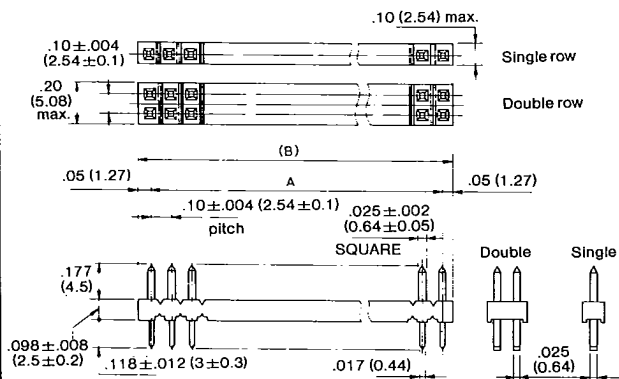
Dimensions subject to change.
(millimeters are in parentheses)

PIN HEADER (for short circuit socket)

Materials/Finishes

Insulator: PPS

Contact: Phosphor bronze, gold over nickel plate (connecting area... see finish code, the other area... gold flash over nickel)



• Double row pin header

No. of Contacts	Part Number	A ±.008 (±0.2)	B Ref.
10	PS-10PF-D4T1-PKL*	.40 (10.16)	.50 (12.7)
20	PS-20PF-D4T1-PKL*	.90 (22.86)	1.00 (25.4)
30	PS-30PF-D4T1-PKL*	1.40 (35.56)	1.50 (38.1)

The other even number of contacts less than 30 contacts not shown is available.

• Single row pin header

No. of Contacts	Part Number	A ±.008 (±0.2)	B Ref.
3	PS-3PF-S4T1-PKL*	.20 (5.08)	.30 (7.62)
5	PS-5PF-S4T1-PKL*	.40 (10.16)	.50 (12.7)
15	PS-15PF-S4T1-PKL*	1.40 (35.56)	1.50 (38.1)

The other even number of contacts less than 15 contacts not shown above is available.

(Note) Add finish code to * position.

TWO-CONTACT SHORT CIRCUIT SOCKET

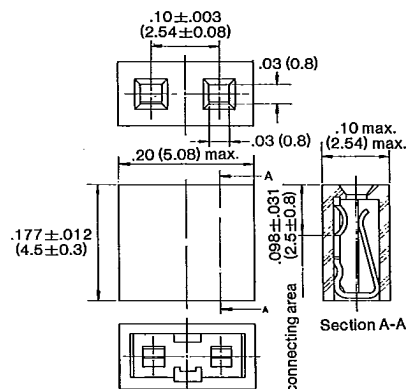
Materials/Finishes

Insulator: Glass-filled Nylon (UL94V-0)

Contact: Phosphor bronze, gold over nickel plate (connecting area... see below, the other area... gold flash over nickel)

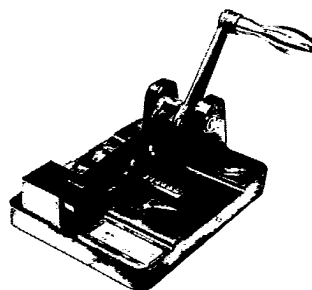
• Part number: PS-2SH4-*

(add gold plate finish code on connecting area to * position)



Pin header cutting tool: PN:WT150-1-KL1

Pin header has a groove on insulator between each laterally adjacent contacts and can be cut in desired number of contacts.



GENERAL SPECIFICATIONS (MAIN PERFORMANCE)

(Note) Group A . . . crimp type socket connector, dip receptacle pin header, pin connector
 Group B . . . socket connector for FRC (contact installed) and PCB transition connector

TEST ITEM		PERFORMANCE			TEST METHOD	
		GROUP A		GROUP B		
ELECTRICAL	Rated current	3 A		1 A	—	
	Insulation resistance	1000 MΩ min.		1000 MΩ min.	To be measured within 1 min. with 500 VDC (100 VDC for FRC socket) applied between contacts	
	D.W.V.	1000 VAC r.m.s.		500 VAC r.m.s.	Between the most adjacent contacts for 1 min.	
	Contact resistance	10 mΩ max.		(a) socket . . . 20 mΩ max. (b) transition 10 mΩ max.	Voltage drop measurement, test current 0.1 A DC, applied voltage 3—6 V	
	Low level contact resistance	10 mΩ max.		(a) socket . . . 20 mΩ max. (b) transition 10 mΩ max.	Test current 1 mA max. Open test voltage 20 mV max.	
MECHANICAL	Lever operating force (shrouded pin header)	2 kg max. for 10 contact connector 2.5 kg max. for 16—34 contact connector 3 kg max. for 40—50 contact connector 3.5 kg max. for 60 contact connector			Both levers are operated evenly to unmated connectors and the load is measured using tester	
	Locking strength (shrouded pin header)	(a) 8 kg min. (b) no cracking, breaking or loosening of parts			Mated connectors are pulled in the axial direction and the load is measured using tester.	
	Individual contact unmating force	40 g min.			A steel pin gage (.025±.00004 (0.64±0.01)) is inserted into and withdrawn from socket contact in the axial direction and withdrawal force is measured	
	Connector mating/unmating force	(a) connector mating force . . . 300 g x (no. of contacts) max. (b) connector unmating force . . . 40 g x (no. of contacts) min.			Pin header is inserted into and withdrawn from socket connector in the axial direction and the load is measured using a tester	
	Cover holding force	—		(a) socket . . . 10 kg min. (b) transition 5 kg min.	Cover insulator assembled in base insulator is pulled to separate from base insulator and the load is measured	
	Crimp tensile strength (crimp contact only)	Nominal sect. area	Corresponding AWG No.	Min. crimp tensile strength	Both ends of crimped contact and wire are pulled to the axial direction until the contact and the wire are ultimately separated or broken	
	0.2 mm ²	#24	3.5 kg			
	0.15	#26	2.1			
	0.08	#28	1.4			
ENVIRONMENTAL	Thermal shock	Step	Temperature (°C)		Time (min.)	MIL-STD-202, Method 107, condition B (condition A for FRC connector), mated connector, 5 cycles, no physical damage during test.
		1	-65±½ (-55±½ for Group B)		30	
		2	+25±½		5 max.	
		3	+125±½ (+85±½ for Group B)		30	
		4	+25±½		5 max.	
	Moisture resistance	After test Insulation resistance 100 MΩ min.			MIL-STD-202, Method 103, condition B, Mated connector, 40±2°C, 90 to 95% relative humidity, 96 hours	
	Salt spray	No evidence of corrosion on contacts sufficient to interfere with operation of connectors.			MIL-STD-202, method 101, condition B, Mated connector, 5% salt solution, 35°C, 48 hours	
	Vibration	No cracking, breaking or loosening of parts, no interruption more than 1 microsecond max. Individual contact unmating force and connector mating/unmating force are to be passed			MIL-STD-202, Method 204 (Method 201 for FRC connector) Mated connectors, carrying a 100 mA current during test	
	Shock	No cracking, breaking or loosening of parts. No interruption more than 1 microsecond			MIL-STD-202, Method 202, Mated connector, 50G, one blow in each direction of three mutually perpendicular axes, carrying a 100mA current during test	
	Durability	No physical defects during test After test, Individual contact unmating force: 40 g min. Contact resistance: 10 mΩ max. (40 mΩ max. for FRC connector)			500 cycles of mating and unmating	
Current cycling	Wire size (AWG)	Test current (A)	Voltage drop (mV)		50 cycles of current cycling test (one cycle consists current running of 30 minutes and no current of 15 minutes) are conducted and the resistance at connecting portion is measured.	
	#28	1.25	5			
	#26	1.25	4			
	#24	3.75	10			

Note: For detailed specifications, consult us.