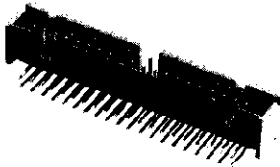


**Low Profile Headers—Shrouded with 3.81 [.150] End Dimension
Double Row, 2.54 x 2.54 [.100 x .100] Centers (Continued)**

**0.64 [.025] Square
Right Angle Post
(with Board Retention
Feature)**



Material and Finish:

Housing — Grey thermoplastic, 94V-0 rated, flame retardant, high temperature compatible

Contacts — Copper alloy, duplex plated (See chart, below)

Related Product Data:

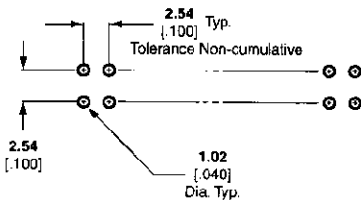
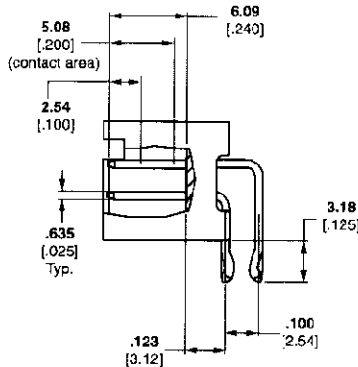
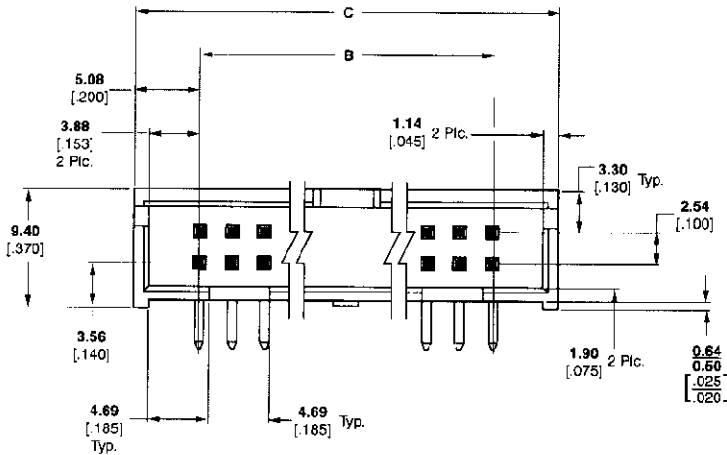
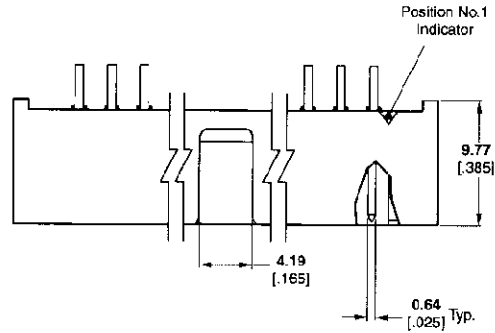
Electrical Characteristics — Page 464

Mateable Connectors — Pages 465, 466

Plating Specifications:

Duplex¹ — 0.00038 [.000015] gold on contact area, 0.00254-0.00508 [.000100-.000200] tin-lead on solder area, with entire post underplated 0.00127 [.000050] nickel

Duplex² — 0.00076 [.000030] gold on contact area, 0.00254-0.00508 [.000100-.000200] tin-lead on solder area, with entire post underplated 0.00127 [.000050] nickel



**Recommended Hole Layout
For Manual Insertion**

No. of Pos.	Dimensions		Contact Plating	Part No.
	B	C		
10	10.16	20.32	Duplex ¹	104340-1
	.400	.800	Duplex ²	104341-1
20	22.86	33.02	Duplex ¹	104340-4
	.900	1.300	Duplex ²	104341-4
34	40.64	50.80	Duplex ¹	—
	1.600	2.000	Duplex ²	104341-7
40	48.26	58.42	Duplex ¹	104340-8
	1.900	2.300	Duplex ²	104341-8
50	60.96	71.12	Duplex ¹	104340-9
	2.400	2.800	Duplex ²	104341-9