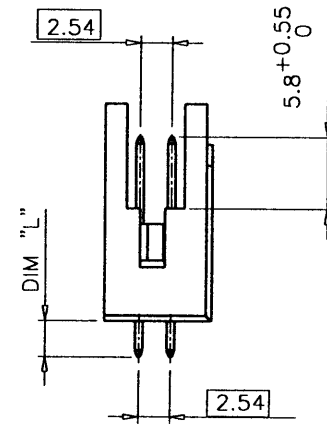
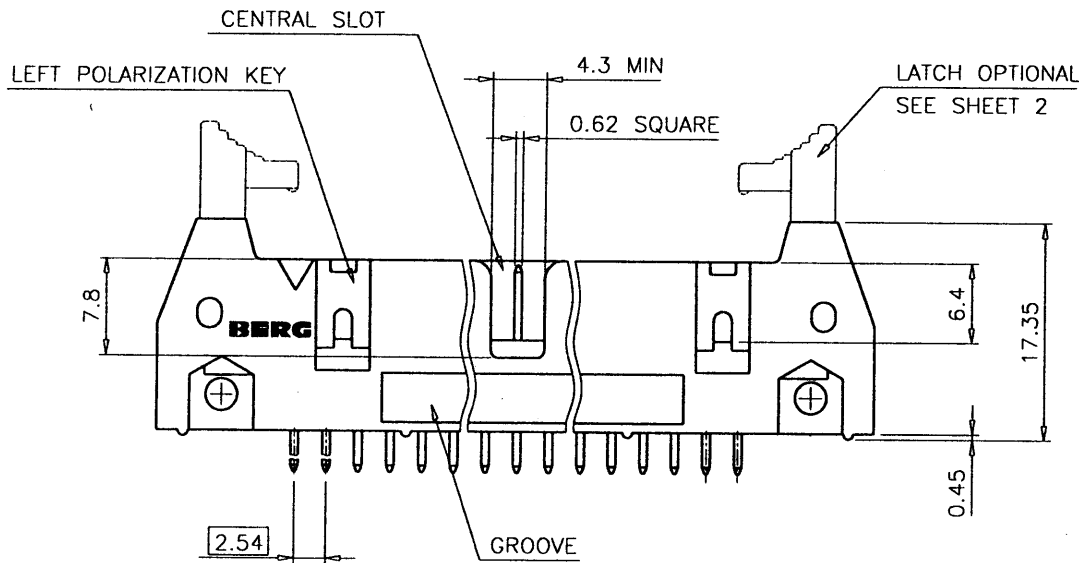
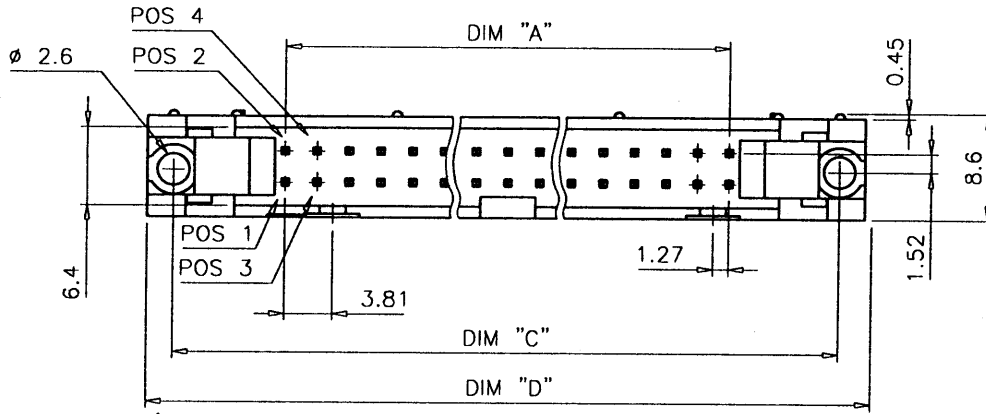


PRODUCT NUMBER	DIM "A"	DIM "C"	DIM "D"	MISSING PINS
77339-XY		SEE TABLE SHEET 213 2/2		



NOTES.

- 1 - MATERIAL CONTACT: PHOSPHOR BRONZE.
- 2 - MATERIAL PLASTIC: POLYESTER 30% GLASSFILLED FLAME RETARDANT PER UL-94-VO COLOR GREY.
- 3 - PRODUCTS PACKED IN ANTISTATIC TUBES 550mm.

All other rights reserved. Reproduction in whole or in part without the written permission of BERG ELECTRONICS is prohibited.

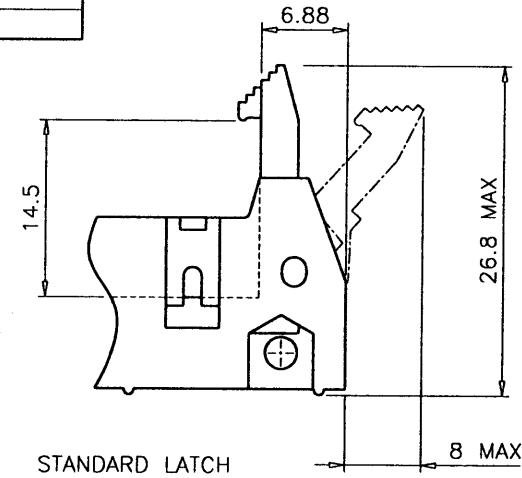
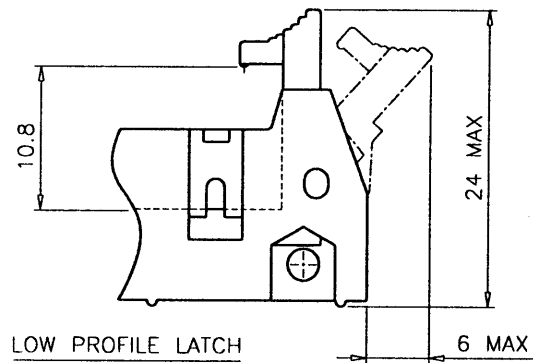
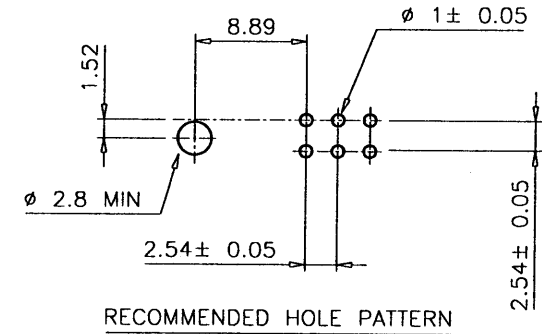
BERG
 ELECTRONICS

All other rights reserved. Reproduction in whole or in part without the written permission of BERG ELECTRONICS is prohibited.

0.76um Au	3.81um SnPb MIN
CONTACT AREA	SOLDER TAIL AREA
PLATING THICKNESS OVER 1.27um Ni MIN	

mat'l. code SEE NOTES				tolerances unless otherwise specified		CUSTOMER COPY		BERG ELECTRONICS	
lir	ecn no	dr	date	linear	angles	projection	title	QKIE HEADER	
P	F20085	JLB	92.02.11					STRAIGHT 0.76um Au	
R	F50302	JMC	95.04.19			mm	product family	QKIE	
				dr	COMPAGNON			95.04.19	size
				enfr	PHAMVAN JM	95.04.19	scale	77339	
				chr	COMPAGNON	95.04.19	scale	A3	
				appd	JM.P	95.04.19	scale	2.5:1	
sheet	revision	R	R						
index	sheet	1	2						

PRODUCT NUMBER	SIZE	DIM "A"	DIM "C"	DIM "D"	CENTRAL SLOT	LEFT POL KEY	GROOVE	MISSING PINS
77339-X06	2x3	5.08	22.86	26.92	NO	NO	NO	
77339-X08	2x4	7.62	25.4	29.46	NO	NO	NO	
77339-X10	2x5	10.16	27.94	32	YES	NO	NO	
77339-X14	2x7	15.24	33.02	37.08	YES	NO	NO	
77339-X16	2x8	17.78	35.56	39.62	YES	YES	YES	
77339-X18	2x9	20.32	38.1	42.16	YES	YES	NO	
77339-X20	2x10	22.86	40.64	44.7	YES	YES	YES	
77339-X26	2x13	30.48	48.26	52.32	YES	YES	YES	
77339-X30	2x15	35.56	58.42	57.4	YES	YES	NO	
77339-X33	2x17	40.64	58.42	62.48	YES	YES	NO	PIN 5
77339-X34	2x17	40.64	58.42	62.48	YES	YES	NO	
77339-X39	2x20	48.26	59.94	70.1	YES	YES	YES	PIN 20
77339-X40	2x20	48.26	59.94	70.1	YES	YES	YES	
77339-X44	2x22	53.34	65.02	75.18	YES	YES	YES	
77339-X49	2x25	60.96	72.64	82.8	YES	YES	YES	PIN 10
77339-X50	2x25	60.96	72.64	82.8	YES	YES	YES	
77339-X60	2x30	73.66	85.34	95.5	YES	YES	YES	
77339-X64	2x32	78.74	90.42	100.58	YES	YES	YES	



77339-7YY						
77339-5YY		•				•
77339-4YY		•				•
77339-3YY		•		•		
77339-2YY	•					•
77339-1YY	•				•	
77339-0YY	•			•		
PRODUCT CODE "X"	2.9	4.5	15.5	WITHOUT LATCH	STANDARD LATCH	LOW PROF LATCH
	DIM "L"			EJECTOR LATCH OPTION		

mal't code				tolerances unless otherwise specified		CUSTOMER COPY		BERG ELECTRONICS	
SEE NOTES									
l/r	ec'n no	dr	date	linear		projection		title	
P	F20085	JLB	92.02.11			⊕		QKIE HEADER	
R	F50302	JMC	95.04.19	angles		mm		STRAIGHT 0.76μm Au	
				dr	COMPAGNON J	95.04.19		product family	code
				engr	PHAMVAN JM	95.04.19		QKIE	213
				chr	COMPAGNON	95.04.19	scale	size/dwg no	sheet
				appd	J.M.P	95.04.19	2.5:1	A3	2 of -
sheet index	revision	sheet							