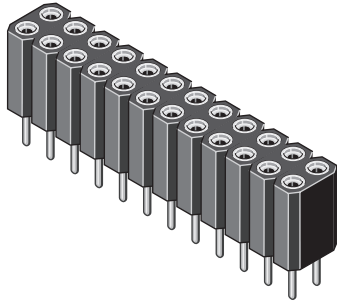


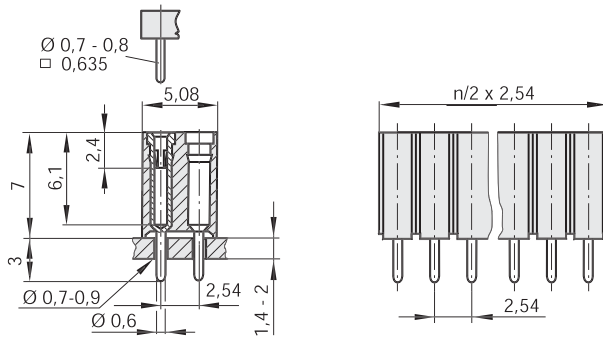
**FEMALE HEADER „PRECISION“**  
**ID: 116**                      BL 20-XXX

Series 431



**TECHNICAL DATA**

Pitch	2,54 mm
Insulating Material	high temp. thermoplast UL94V-0
Contact Material	Brass/BeCu
Rated Current	3 Amp.
Rated Voltage	100 V <sub>RMS</sub> /150 V <sub>DC</sub>
Withstanding Voltage	min. 1000 V <sub>RMS</sub>
Operating Temperature	-55°C to +125°C
Maximum Soldering Temperature	260°C for 10 seconds



All dimensions in mm.  
 Other dimensions upon request.

	BL 20 - XXX - X XXX U
BL 20:	2 rows, straight
XXX:	No. of contacts 2 - 100 poles possible
X:	Blank = sleeve: Sn / clip Au 8 = sleeve: Sn / clip 0,75µm Au
XXX:	Blank = mounting height 7,00mm 800 = mounting height 8,00mm 850 = mounting height 8,50mm
U:	RoHS-compliant with high temp. plastic

7 | 2,54 mm