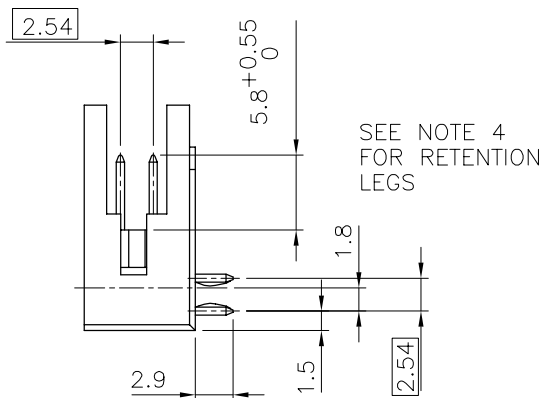
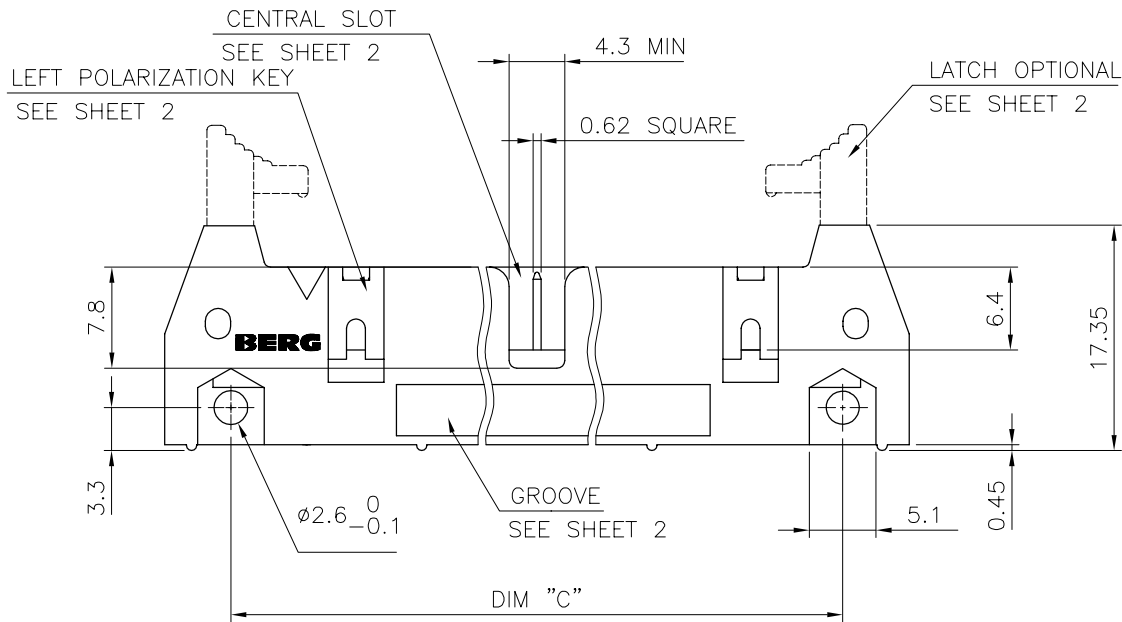
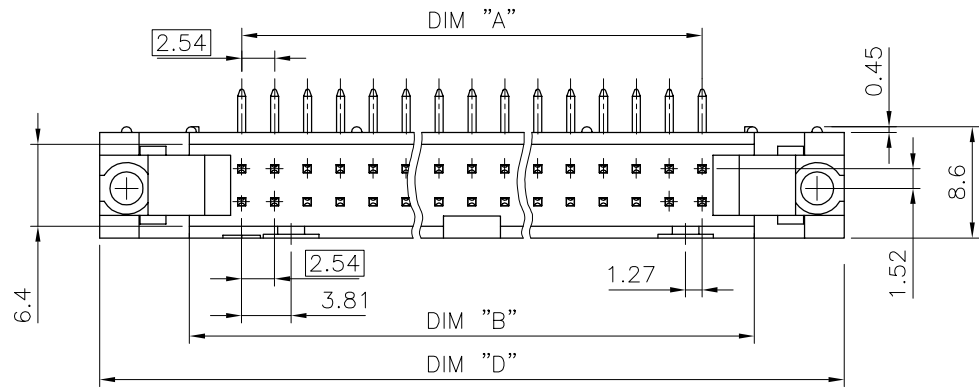


PRODUCT NUMBER	DIM "A"	DIM "B"	DIM "C"	DIM "D"
71913-XY	SEE TABLE SHEET 213 2/2			



NOTES:

- 1 - MATERIAL CONTACT: COPPER ALLOY.
- 2 - MATERIAL PLASTIC: POLYESTER 30% GLASSFILLED FLAME RETARDANT PER UL-94-V0, COLOR BLUE.
- 3 - PRODUCTS PACKED IN ANTISTATIC POLYBAG.
- 4 - A DASH "R" AT THE END OF P/N INDICATES A RETENTION FEATURE. RETENTION LEGS LOCATED IN CENTER OF CONNECTOR.
- 5 - A DASH "Y" AT THE END OF P/N INDICATES PRODUCTS PACKED IN TUBES. (EX: 71913-034Y)
- 6 - A DASH "A" AT THE END OF P/N INDICATES RETENTION FEATURE AND PRODUCTS PACKED IN TUBES.

0.76 μ m Au	3.81um SnPb MIN
CONTACT AREA	SOLDER TAIL AREA
PLATING THICKNESS OVER 1.27um Ni MIN	

mat'l. code		tolerances unless otherwise specified		CUSTOMER COPY		ELECTRONICS www.fciconnect.com	
SEE NOTES				projection		title	
ltr	ecn no	dr	date	linear		QKIE HEADER RIGTH ANGLE 0.76 μ m Au	
B	F40686	JMC	94.09.08	angles		product family	code
C	V51312	PNZ	95.11.13		QKIE HDR	213	
D	F50886	OMA	95.11.28		size	dwg no	
E	F70191	PNZ	97.04.14	dr j.compagnon 87.08.05	mm	71913	
				engr JM PHAMVAN 94.09.08	scale	1 of 2	
				chr JM.COMPAGNON 94.09.08	2.5:1		
				appd JM. P 94.09.08	A3		
sheet	revision	E	E				
index	sheet	1	2				

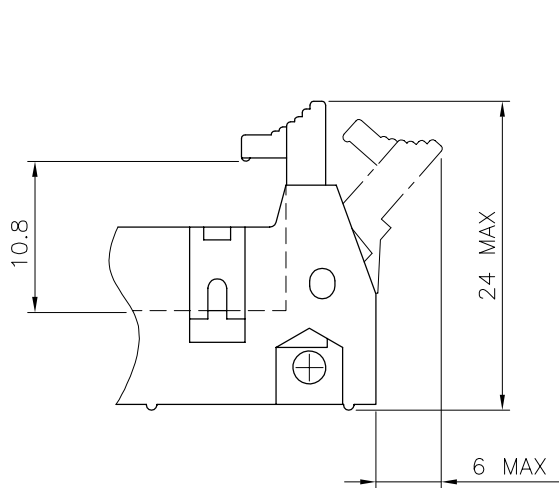
All rights strictly reserved. Reproduction or use in third parties is any form without written authority from the proprietor. Copyright © Bertron S.A.

Tous droits strictement réservés. Toute réimpression ou utilisation sans autorisation écrite du propriétaire. Copyright © Bertron S.A.

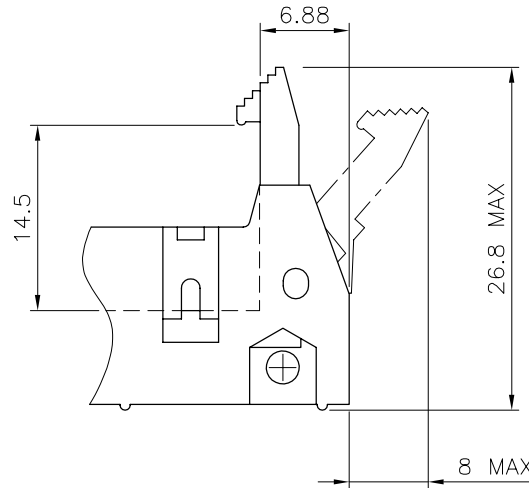
Tous droits réservés. Toute réimpression ou reproduction sans autorisation écrite de FCI est formellement interdite.

All rights strictly reserved. Reproduction or reuse in third parties is any form without the prior written authorization of FCI is expressly forbidden.

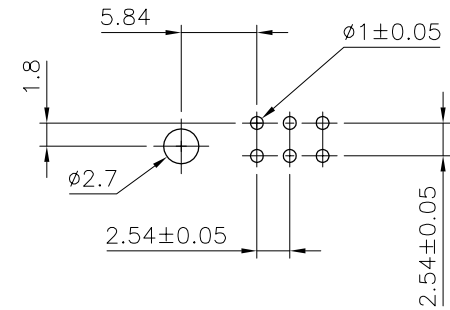
PRODUCT NUMBER	SIZE	DIM "A"	DIM "B"	DIM "C"	DIM "D"	CENTRAL SLOT	LEFT POL KEY	GROOVE
71913-X06	2x3	5.08	13.15	16.76	26.92	NO	NO	NO
71913-X08	2x4	7.62	15.69	19.30	29.46	NO	NO	NO
71913-X10	2x5	10.16	18.23	21.84	32	YES	NO	NO
71913-X14	2x7	15.24	23.31	26.92	37.08	YES	NO	NO
71913-X16	2x8	17.78	25.85	29.46	39.62	YES	YES	YES
71913-X18	2x9	20.32	28.39	32.00	42.16	YES	YES	NO
71913-X20	2x10	22.86	30.93	34.54	44.7	YES	YES	YES
71913-X26	2x13	30.48	38.55	42.14	52.32	YES	YES	YES
71913-X30	2x15	35.56	43.63	47.24	57.4	YES	YES	NO
71913-X34	2x17	40.64	48.71	52.32	62.48	YES	YES	NO
71913-X40	2x20	48.26	56.33	59.94	70.1	YES	YES	YES
71913-X44	2x22	53.34	61.41	65.02	75.18	YES	YES	YES
71913-X50	2x25	60.96	69.03	72.64	82.8	YES	YES	YES
71913-X60	2x30	73.66	81.73	85.34	95.5	YES	YES	YES
71913-X64	2x32	78.74	86.81	87.88	100.58	YES	YES	YES



LOW PROFILE LATCH



STANDARD LATCH



RECOMMENDED HOLE PATTERN

71913-2YY			●
71913-1YY		●	
71913-0YY	●		
PRODUCT CODE "X"	WITHOUT LATCH	STANDARD LATCH	LOW PROFILE LATCH
	EJECTOR LATCH OPTION		

mat'l. code			tolerances unless otherwise specified		CUSTOMER COPY	ELECTRONICS www.fciconnect.com	
ltr	ecn no	dr	date	linear	projection	title	
A	10764	PC	88.04.22			QKIE HEADER	
B	F40686	JMC	94.09.08	angles	mm	RIGHT ANGLE 0.76µm Au	
C	V51312	PNZ	95.11.13			product family	
D	F50886	OMA	95.11.28	dr	J.COMPAGNON	87.08.05	QKIE HDR
E	F70191	PNZ	97.04.14	engr	JM. PHAMVAN	94.09.08	213
				chr	J.COMPAGNON	94.09.08	size
				appd	JM.P	94.09.08	dwg no
				scale		2.5:1	sheet
				A3		71913	2 of
sheet index	revision sheet						