

BB02-FU

CUSTOMER PRODUCT SPECIFICATION SHEET

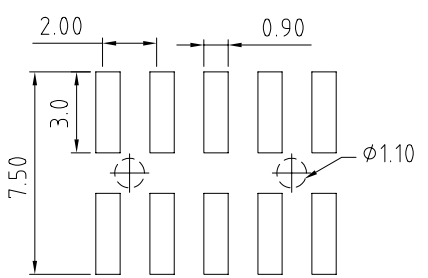
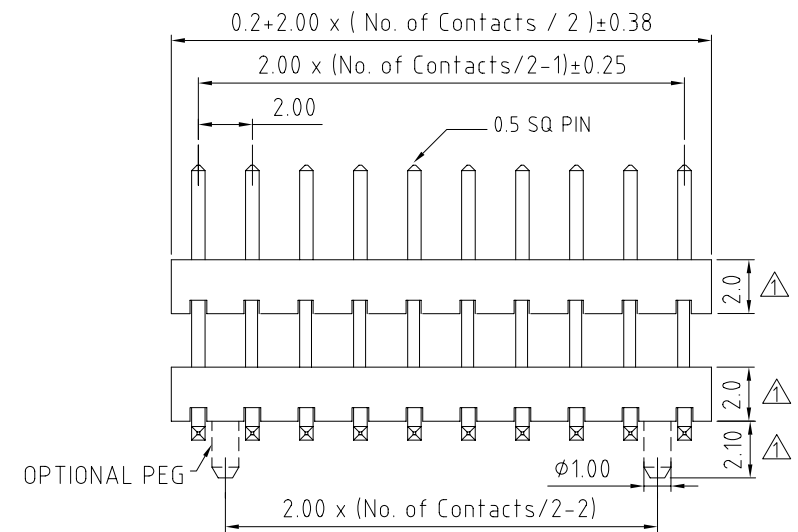
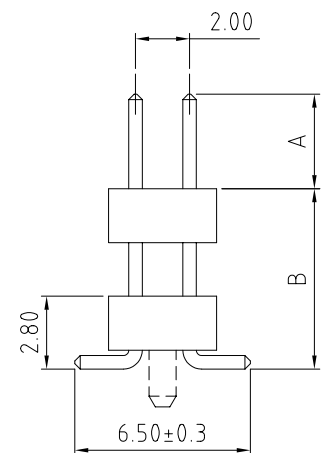
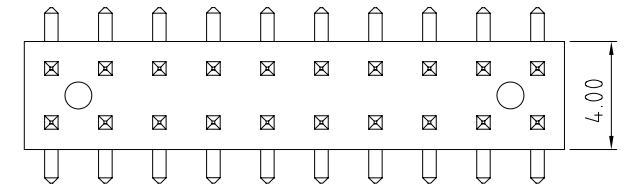


BB02-FU :- 2.00mm (0.079") PIN HEADER, DUAL ROW, STRAIGHT, SMT TYPE BOARD SPACER, 06 to 50 CONTACTS

SPECIFICATIONS

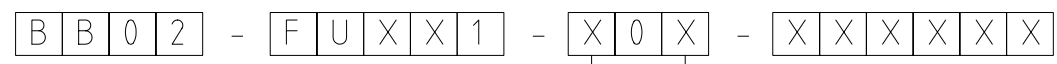
CURRENT RATING 2 AMP
 INSULATOR RESISTANCE 1000 MEGOHMS MIN.
 DIELECTRIC WITHSTANDING AC 500 V
 CONTACT RESISTANCE 20m OHMS MAX.
 OPERATING TEMPERATURE -40° TO +105°C
 MAX. PROCESSING TEMP 230°C FOR 60 SEC
 CONTACT MATERIAL BRASS
 INSULATOR MATERIAL POLYESTER,UL 94V-0
 STANDARD: NYLON 6T
 FINISH GOLD, TIN, OR SELECTIVE PLATED
 SOLDERABILITY IR REFLOW: 260°C FOR 10 SEC
 WAVE: 230°C FOR 5-10 SEC
 MANUAL SOLDER: 350°C FOR 3-5 SEC

MATES WITH :- BB02-GH BB02-GT
 BB02-GK BB02-GY
 BB02-GL BB02-GZ
 BB02-GM BB02-RG
 BB02-GP
 BB02-GQ



RECOMMENDED PC BOARD SMD LAYOUT

HOW TO ORDER



NO. OF CONTACTS 06 TO 50	CONTACT PLATING GOLD FLASH = K 10 MICRO INCHES GOLD = A 15 MICRO INCHES GOLD = B 30 MICRO INCHES GOLD = C TIN = T	SELECTIVE GOLD FLASH = D SELECTIVE 10 MICRO INCHES GOLD = E SELECTIVE 15 MICRO INCHES GOLD = F SELECTIVE 30 MICRO INCHES GOLD = G STANDARD = K	PACKAGING OPTIONS 3 - TUBE 5 - TUBE & CAP 6 - T & R 8 - T & R & CAP	PIN HEIGHT A (1/10MM) PLEASE SPECIFY PIN LENGTH REQUIRED I.E. 2.5mm=25 TOL. ±0.2	PIN HEIGHT B (1/10MM) PLEASE SPECIFY PIN LENGTH REQUIRED I.E. 2.5mm=025 TOL. ±0.2	WITH OR WITHOUT LOCATING PEG A = WITH B = WITHOUT
-----------------------------	--	--	---	--	---	---

REV. DATE & DRN
 10 15/07/05 - CHC RELEASE
 11 27/04/05 - NYW
 MAX. PIN NO 80->50.
 AMEND INSULATOR.
 AMEND PCB LAYOUT.
 12 08/08/06 - NYW
 DRAWING MODIFICATION

Scale: 5:1	THIRD ANGLE	Unstated Tolerances: 0 Dec Places 1 Dec Places 2 Dec Places 3 Dec Places	Material SEE NOTE
Drawn: CHC			
App'd: NYW	Title PIN HEADER		NOT TO SCALE
Date: 8 AUG '06	Revision: 1.2		Unit: mm

www.gradconn.com

THIS DRAWING IS CONFIDENTIAL AND MUST NOT BE COPIED OR DISCLOSED WITHOUT WRITTEN CONSENT

Type: BB02-FU
BB02-FU
Drawing Number:
Sheet 1 of 1
Drawing © E and O E