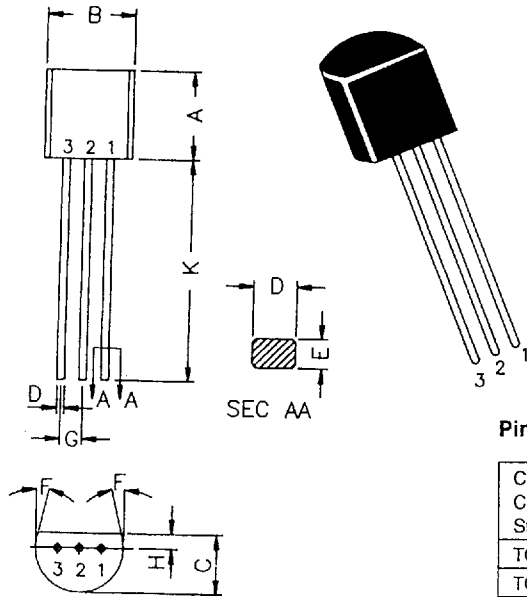


TO-92



DIM	MIN	MAX
A	4,32	5,33
B	4,45	5,20
C	3,18	4,19
D	0,41	0,55
E	0,35	0,50
F	5 DEG	
G	1,14	1,40
H	1,14	1,53
K	12,70	-

ALL DIMENSIONS IN M.M.

Pin Configuration Available in TO-92

CDIL Code Style	Pin 1	Pin 2	Pin 3
TO-92	Collector	Base	Emitter
TO-92-1	Base	Collector	Emitter
TO-92-2	Base	Emitter	Collector
TO-92-3	Collector	Emitter	Base
TO-92-4	Emitter	Base	Collector

Maximum Ratings					Electrical Characteristics (Ta=25°C, Unless Otherwise Specified)																				
Type No.	V _{CB0} (V) Min	V _{CE0} (V) Min	V _{EBO} (V) Min	P _O (W) @Tc=25°C	I _C (A)	I _{CB0} (μA) Max	V _{CB} (V) @ (V)	I _{CES} (μA) Max	V _{CE} (V) @ (V)	h _{FE} @	I _C & V _{CE} (mA) (V)	V _{CE(SAT)} (V) Max	V _{BE(SAT)} (V) Max	I _C (mA) @ (mA)	C _{cb} (pF) Typ	f _t (MHz) Min	f _t (MHz) Typ	f _t (MHz) Max	I _C (mA)	t _{on} (ns) Max	N _F (dB) Max	@ Freq (MHz)	C _{re} (pF) Max	CDIL Case Style	
2N2712	18	18	5	0.625	0.1	0.5	18			75	225	2	4.5		12	80		300	2						TO-92-1
2N2714	18	18	5	0.625	0.1	0.5	18			75	225	2	4.5	0.3		.6		1.2	50						TO-92-1
#2N2923	25	25	5	0.625	0.1	0.1	25			90	180	2	10		10										TO-92-1
#2N2924	25	25	5	0.625	0.1	0.1	25			150	300	2	10		10										TO-92-1
#2N2925	25	25	5	0.625	0.1	0.1	25			235	470	2	10		10										TO-92-1
#2N2926	18	18	5	0.625	0.1	0.5	18			35	470	2	10		10										TO-92-1
2N3390	25	25	5	0.625	0.1	0.1	18			400	800	2	4.5		10										TO-92-1
2N3391	25	25	5	0.625	0.1	0.1	18			250	500	2	4.5		10							5			TO-92-1
2N3391A	25	25	5	0.625	0.1	0.1	18			250	500	2	4.5		10							5			TO-92-1
2N3392	25	25	5	0.625	0.1	0.1	18			150	300	2	4.5		10										TO-92-1
2N3393	25	25	5	0.625	0.1	0.1	8			90	180	2	4.5		10										TO-92-1
2N3394	25	25	5	0.625	0.1	0.1	18			55	110	2	4.5		10										TO-92-1
2N3395	25	25	5	0.625	0.1	0.1	18			150	500	2	4.5		10										TO-92-1
2N3396	25	25	5	0.625	0.1	0.1	18			90	500	2	4.5		10										TO-92-1
2N3397	25	25	5	0.625	0.1	0.1	18			55	500	2	4.5		10										TO-92-1
2N3398	25	25	5	0.625	0.1	0.1	18			55	800	2	4.5		10										TO-92-1
2N3414	25	25	5	0.6	0.5	0.1	25			75	225	2	4.5	0.3		.6		1.3	50						TO-92-1
2N3415	25	25	5	0.625	0.1	0.1	25			180	540	2	4.5	0.3		.6		1.3	50						TO-92-1
2N3416	50	50	5	0.625	0.1	0.1	50			75	225	2	4.5	0.3		.6		1.3	50						TO-92-1