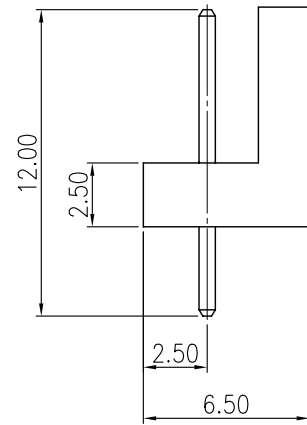
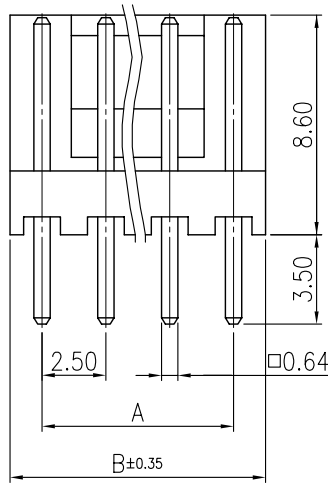


V1.1

REVISIONS							
SYM	DISCRIPTION	DATE	APPROVED	SYM	DISCRIPTION	DATE	APPROVED
△				△			
△				△			

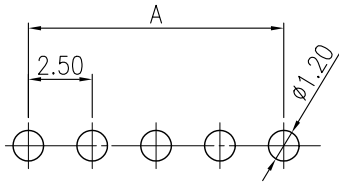
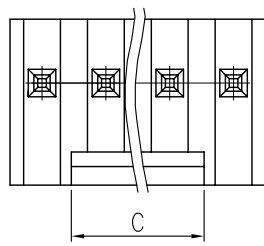
****CUSTOMER DRAWING FOR REFERENCE ONLY, SAMPLES APPROVAL ARE REQUIRED!!**



PART NO.	Contacts	DIMENSIONS(mm)		
		A	B	C
MCs004-P02T	1X2	2.50	5.00	2.20
MCs004-P03T	1X3	5.00	7.50	2.70
MCs004-P04T	1X4	7.50	10.00	5.20
MCs004-P05T	1X5	10.00	12.50	5.20
MCs004-P06T	1X6	12.50	15.00	6.20
MCs004-P07T	1X7	15.00	17.50	8.20
MCs004-P08T	1X8	17.50	20.00	10.20
MCs004-P09T	1X9	20.00	22.50	10.20
MCs004-P10T	1X10	22.50	25.00	10.20
MCs004-P11T	1X11	25.00	27.50	11.20
MCs004-P12T	1X12	27.50	30.00	11.20
MCs004-P13T	1X13	30.00	32.50	13.20
MCs004-P14T	1X14	32.50	35.00	13.20
MCs004-P15T	1X15	35.00	37.50	13.20

SPECIFICATIONS:
 VOLTAGE RATING: 250V AC,DC
 CURRENT RATING: 3A AC,DC
 WITHSTAND VOLTAGE : 1000V AC/MINUTE
 INSULATION RESISTANCE: 1000MΩ MIN
 TEMPERATURE RANGE: -25°C ~ +85°C
 (INCLUDING TEMPERATURE RISE IN APPLYING ELECTRICAL CURRENT)
 CONTACT RESISTANCE: INITIAL VALUE/10MΩ MAX
 AFTER ENVIRONMENTAL TESTING/20MΩ MAX
 MATERIAL:
 CONTACT: BRASS, TIN PLATED
 BASE: NYLON 66 UL94V-0+GLASS FIBER

ORDER INFORMATION:
 MCs004-PXXT
 MC: WAFER SERIES
 s: 2.50mm PITCH
 004: SERIES NO.
 P: PCB TYPE, STRAIGHT
 XX: NO. OF CONTACTS
 T: TERMINAL PLATING,
 TIN PLATING



PCB LAYOUT

MATING	HOUSING	MCs004-XX-H	TERMINAL	MCs004-T
TOLERANCES UNLESS OTHERWISE SPECIFIED ±0.30	SIGNATURES		DATE	MODEL
	DRAWN	VIVI	22/AUG/03'	TITLE
SYMBOL △	UNIT mm	SCALE 5/1	CHECKED	ZOLA
			22/AUG/03'	NO.
APPROVALS			MCs004-P__T	

MMT CORPORATION