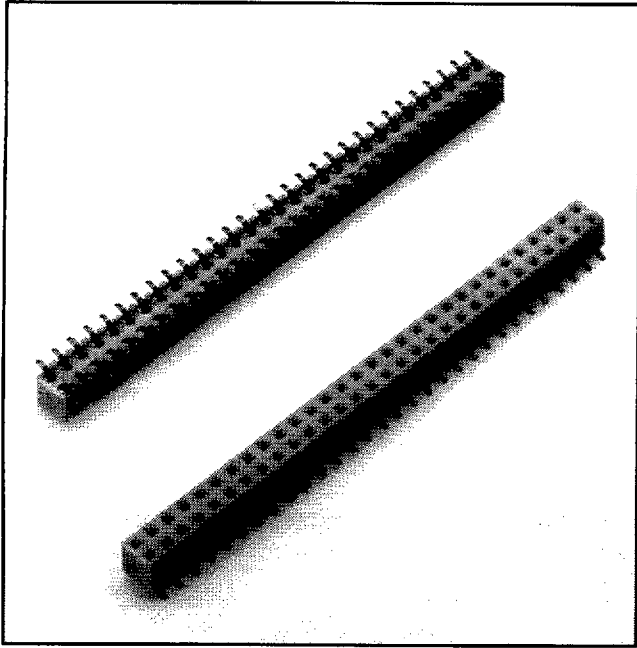


2mm Board Mount Socket

Surface Mount

150 Series



- High temperature dielectric
- IR and vapor solder compatible
- Surface mount
- Industry standard compatible
- Minimizes PC board stacking heights
- End stackable feature

2

TS-0519-07
Sheet 1 of 2

Physical

Insulation

Material: Glass Filled PCT
Flammability: UL 94V-0
Color: Natural

Contact

Material: Beryllium Copper
Plating
Underplate: 50-150 μ " [1.27-3.81 μ m] Nickel — QQ-N-290, Class 2
Wiping Area: Gold — MIL-G-45204, Type II, Grade C
Solder Tails: 100-300 μ " [2.54-7.62 μ m] 90/10 Tin Lead — MIL-P-81728

Marking: Orientation delta and 3M logo

Note: The location and thickness of the contact plating is determined by the part number. Refer to ordering information.

Electrical

Current Rating: 1.5 A
Insulation Resistance: $> 5 \times 10^9 \Omega$ at 250 Vdc
Withstanding Voltage: 500 Vdc at Sea Level

Environmental

Temperature Rating: -67°F to $+221^\circ\text{F}$ (-55°C to $+105^\circ\text{C}$)

UL File No.: E68080
CSA File No.: LR 89866

3M Electronic Products Division

6801 River Place Blvd.
Austin, TX 78726-9000

6

For technical, sales or ordering information call
800-225-5373

■ 9005413 0000013 748 ■

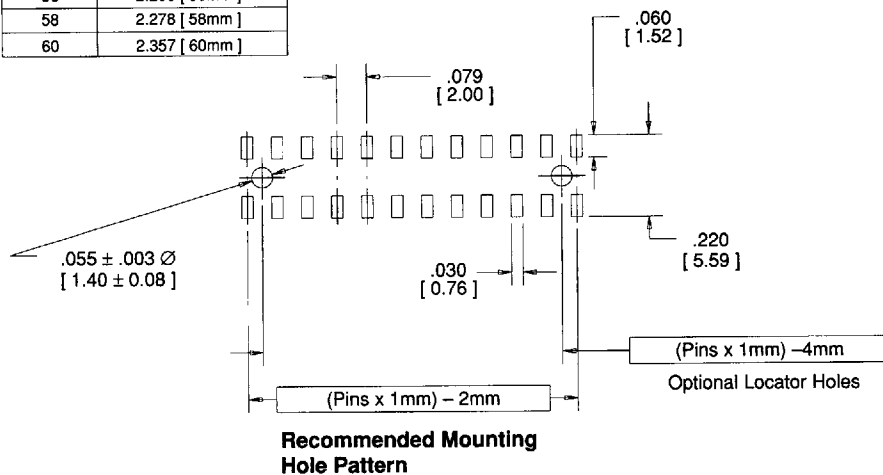
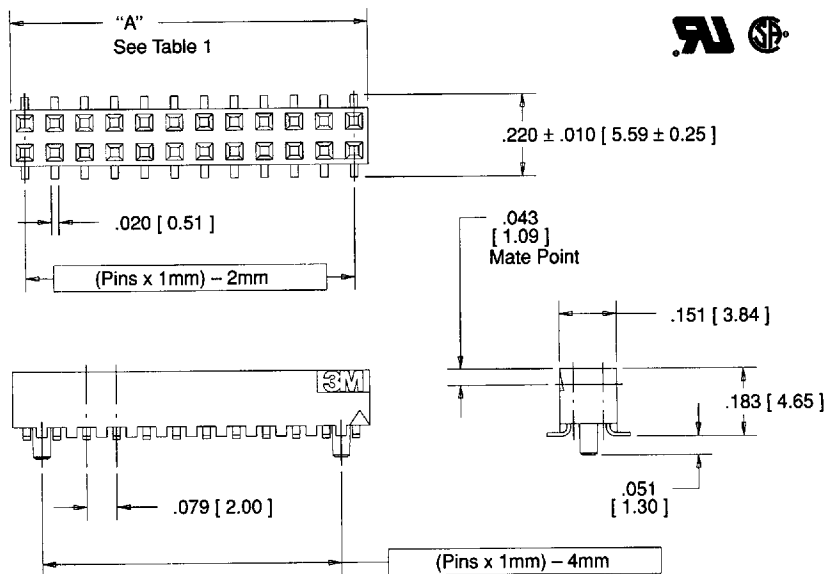
2mm Board Mount Socket

Surface Mount

150 Series

Sheet 2 of 2

Contact Qty	Dim "A"
2	.077 [2mm]
4	.156 [4 mm]
6	.231 [6mm]
8	.310 [8mm]
10	.389 [10mm]
12	.467 [12mm]
14	.546 [14mm]
16	.625 [16mm]
18	.704 [18mm]
20	.782 [20mm]
22	.861 [22mm]
24	.940 [24mm]
26	1.019 [26mm]
28	1.097 [28mm]
30	1.176 [30mm]
32	1.255 [32mm]
34	1.334 [34mm]
36	1.412 [36mm]
38	1.491 [38mm]
40	1.570 [40mm]
42	1.649 [42mm]
44	1.727 [44mm]
46	1.806 [46mm]
48	1.885 [48mm]
50	1.964 [50mm]
52	2.042 [52mm]
54	2.121 [54mm]
56	2.200 [56mm]
58	2.278 [58mm]
60	2.357 [60mm]



Inch [mm]			
Tolerance Unless Noted			
	.0	.00	.000
Inch	±.1	±.01	±.005

[] Dimensions for Reference Only

TS-0519-07

Ordering Information

X1502XX-20X0-XX

Packaging
V = Bulk
Blank = Standard

Number of Positions
(See Table 1)
(Even No.: 2-60)

Board Location Post
0 = None
2 = With Board Location Post

Plating
TB = 30 μ" [0.76. μm] Gold
TH = 15 μ" [0.38. μm] Gold