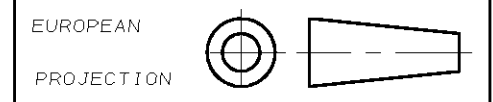


ZEICHNUNG GESCHÜTZT DURCH
 ©COPYRIGHT 1988
 AMP DEUTSCHLAND GMBH
 ALLE RECHTE VORBEHALTEN

REV.	ÄNDERUNG	DATUM	NAME
1	MASS 2.54 ± 0.3 WAR 2.54 MASS 3.0 ± 0.2 WAR 3.0 HINZU ALLG. TOLERANZ ± 0.1	02.11.88	AUGUSTINIAK
2	TABELLE HINZU	02.03.89	A.HO
3	ZEICHNUNG IN EUROPEAN PROJECTION GEÄNDERT	04.12.90	A.HO
4	LÖTLÄNGE VON 3.0 IN 3.1 GEÄNDERT	16.03.92	A.HO
D	VERPACKUNGSANGABE HINZU	15.01.96	F.RDT

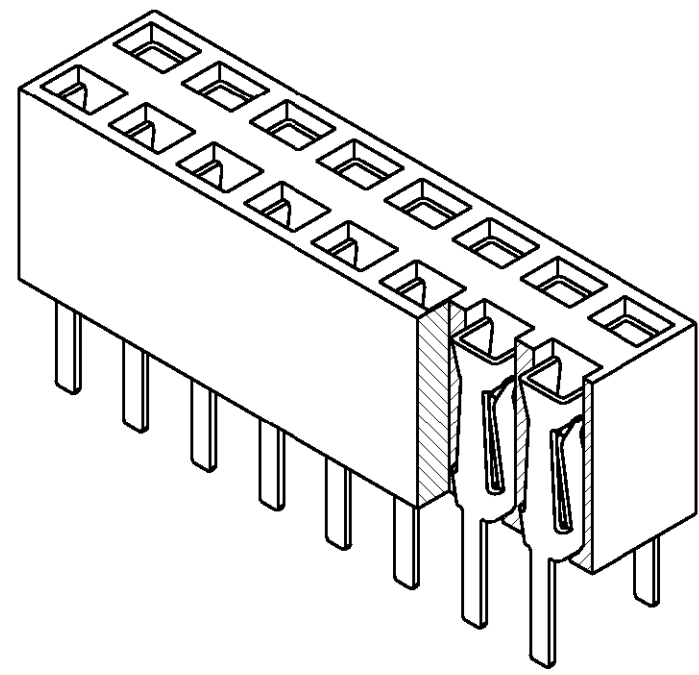
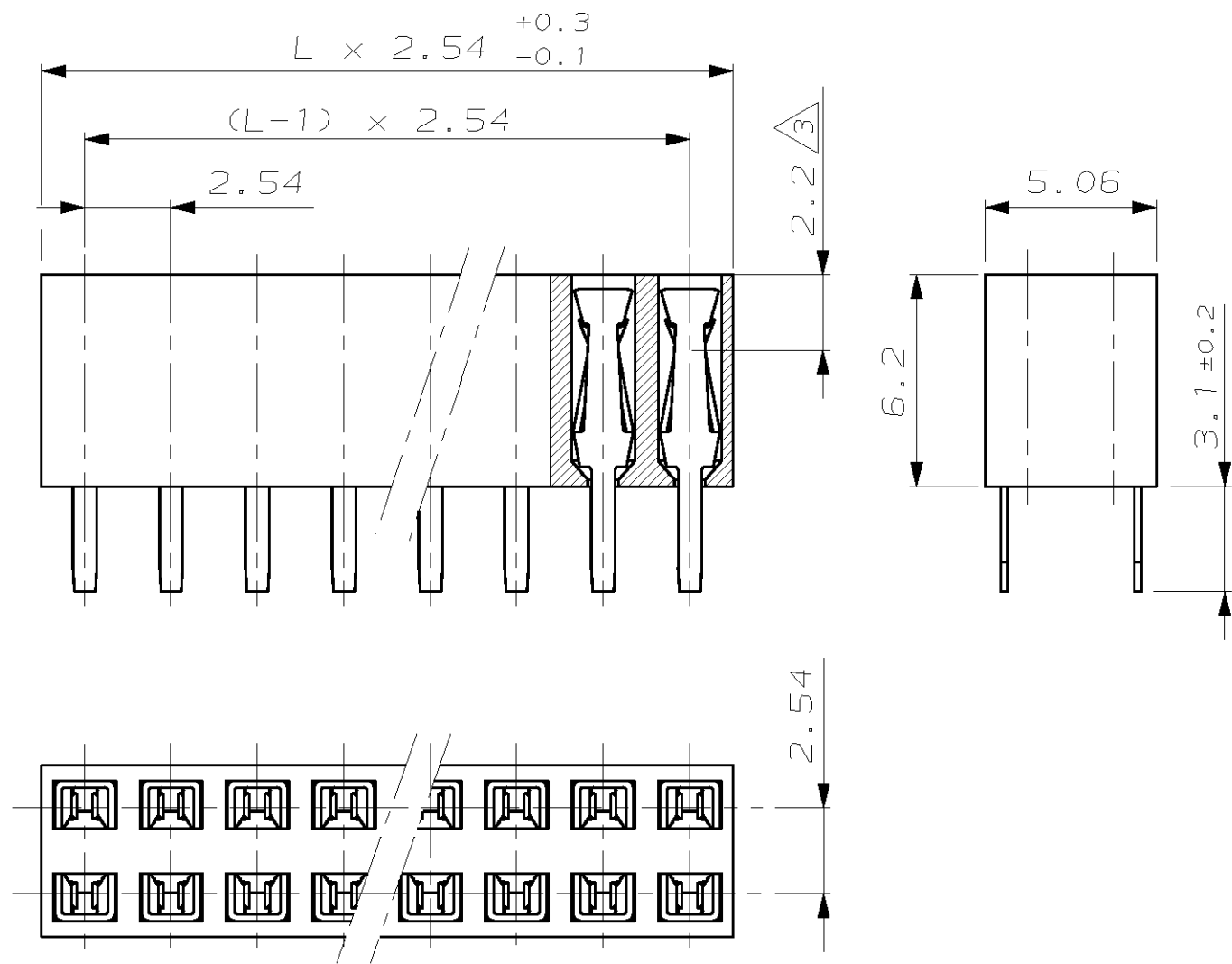
DO NOT SCALE
 DIMENSIONS IN mm

METRIC

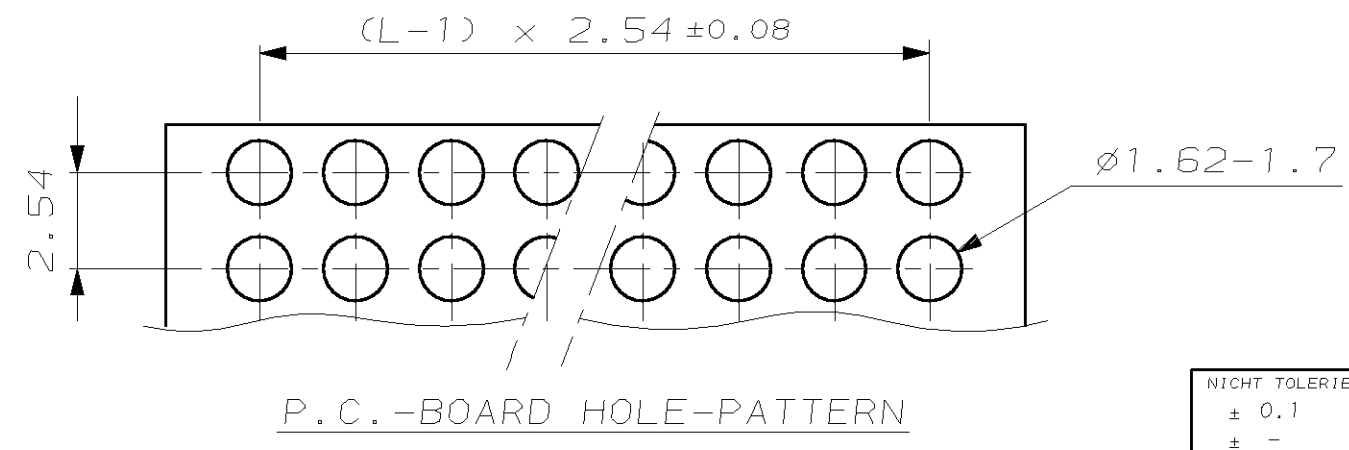


NOTES:

- 1. PLATING: UNDERCOATING: 1,3 μ m Ni.
 AT CONT.PLACE: 0,8 μ m Au.
 AT SOLDER-TYNES: 2,5 μ m Sn.Pb.
- 2. MATES WITH 0,63 SQUARE/ROUND MODU POSTS.
- 3. CONTACT-POINT.
- 4. RECOMMENDED P.C.BOARD-THICKNESS: 1,6.
- 5. HV100 CONNECTOR PACKED IN ANTISTATIC BLISTER



POS. PER ROW	L ± 0.3 / -0.1	PART-NO.
1	2.80	215 315 -1
2	5.08	-2
3	7.62	-3
4	10.16	-4
5	12.70	-5
6	15.24	-6
7	17.78	-7
8	20.32	-8
9	22.86	-9
10	25.40	1-
11	27.94	1-
12	30.48	1-
13	33.02	1-
14	35.56	1-
15	38.10	1-
16	40.64	1-
17	43.18	1-
18	45.72	1-
19	48.26	1-
20	50.80	2-
21	53.34	2-
22	55.88	2-
23	58.42	2-
24	60.96	2-
25	63.50	2-
26	66.04	2-
27	68.58	2-
28	71.12	2-
29	73.66	2-
30	76.20	3-
31	78.74	3-
32	81.28	3-
33	83.82	3-
34	86.36	3-
35	88.90	3-
36	91.44	3- 215 315 -6



NICHT TOLERIERTE MASSE	± 0.1
MASSTAB	5:1

VERWENDET FÜR E 92-9803	GREEN FINISH	Cu Sn PBTP-GV MATERIAL	REC. CONTACT REC. HOUSING DESCRIPTION
CUSTOMER DRAWING FOR REFERENCE ONLY WILL NOT BE UPDATED	AMP AMP-HOLLAND B.V. 's-Hertogenbosch, The Netherlands.		
	THIS DRAWING IS UNPUBLISHED RELEASED FOR PUBLICATION 14.8.1986 © COPYRIGHT 1986 BY AMP-HOLLAND B.V. ALL INTERNATIONAL RIGHTS RESERVED. AMP PRODUCTS MAY BE COVERED BY U.S. AND FOREIGN PATENTS AND/OR PATENTS PENDING.		
DR. L.V.D.HEYDEN	DATE 20.05.86	WIRE RANGE -	NAME HV 100 VERTICAL CONNECTOR
CHK.	DATE	INSUL. RANGE -	DUAL ROW, 6,2mm HEIGHT, BOTTOM/TOP ENTRY, GOLD, MAX. 2x36 POSITIONS.
APP. -	DATE	SIZE A3	SHEET 1 OF 1
		DWG. No.	215315
		REV. DATE D M Y	150196
		REV. LTR.	D