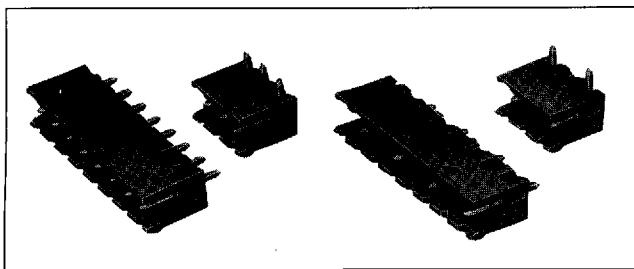


BUCHANAN® electronic connectors

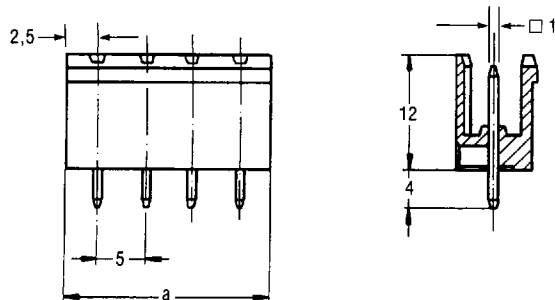
SERIES 72 Shrouded Open-end Printed Circuit Board Headers (For Series 52 Locking-type Connector)



PITCH (center-to-center terminal spacing):
5mm and 10mm

DIMENSIONS

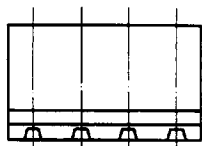
B72N4V (vertical solder pins)



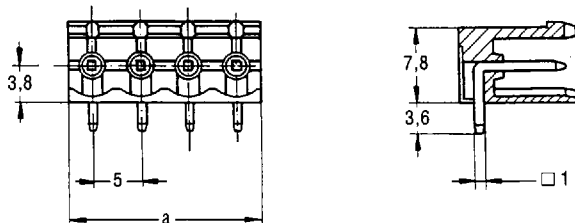
Formulas For Dimension "a"
(N = Number of terminals)

5mm Headers:
 $a = N \times 5$

10mm Headers:
 $a = (N \times 10) - 5$



B72N4H (horizontal solder pins)



DESIGN FEATURES

- Shrouded "open-end" 5mm and 10mm headers
- Mates with Series 52 locking-type plug-in connectors
- Allows for vertical or horizontal mounting of connectors
- Fits same spacing as 5.08mm headers up to 6 circuits
- Header insulator — UL 94 V-0 rated
- Polarization feature of connector and header allows for varied applications
- Gold and silver plated terminals available in addition to standard tin plating

TECHNICAL DATA

ELECTRICAL:

Maximum Current: 12A
Operating Voltage: 250V

MATERIALS:

Housing Polybutylene terephthalate (PBTP), GV20
Color: Blue
Flammability: UL 94 V-0

Pin Brass, tin plated

MECHANICAL:

Pitch (pin spacing): 5mm and 10mm
Recommended PCB Hole Dia.: 1,7mm

ENVIRONMENTAL:

Operating Temperature Range:
-30°C to +120°C Gold and silver contact system
-30°C to +105°C Tin contact system

AGENCY APPROVALS:



ORDERING INFORMATION

No. of Term.	Catalog No. 5mm Vertical	Catalog No. 5mm Horizontal	Catalog No. 10mm Vertical	Catalog No. 10mm Horizontal	No. of Term.	Catalog No. 5mm Vertical	Catalog No. 5mm Horizontal	Catalog No. 10mm Vertical	Catalog No. 10mm Horizontal
2	B72N4V02T	B72N4H02T	B72N5V02T	B72N5H02T	17	B72N4V17T	B72N4H17T		
3	B72N4V03T	B72N4H03T	B72N5V03T	B72N5H03T	18	B72N4V18T	B72N4H18T		
4	B72N4V04T	B72N4H04T	B72N5V04T	B72N5H04T	19	B72N4V19T	B72N4H19T		
5	B72N4V05T	B72N4H05T	B72N5V05T	B72N5H05T	20	B72N4V20T	B72N4H20T		
6	B72N4V06T	B72N4H06T	B72N5V06T	B72N5H06T	21	B72N4V21T	B72N4H21T		
7	B72N4V07T	B72N4H07T	B72N5V07T	B72N5H07T	22	B72N4V22T	B72N4H22T		
8	B72N4V08T	B72N4H08T	B72N5V08T	B72N5H08T	23	B72N4V23T	B72N4H23T		
9	B72N4V09T	B72N4H09T	B72N5V09T	B72N5H09T	24	B72N4V24T	B72N4H24T		
10	B72N4V10T	B72N4H10T	B72N5V10T	B72N5H10T					
11	B72N4V11T	B72N4H11T	B72N5V11T	B72N5H11T					
12	B72N4V12T	B72N4H12T	B72N5V12T	B72N5H12T					
13	B72N4V13T	B72N4H13T							
14	B72N4V14T	B72N4H14T							
15	B72N4V15T	B72N4H15T							
16	B72N4V16T	B72N4H16T							