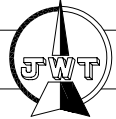


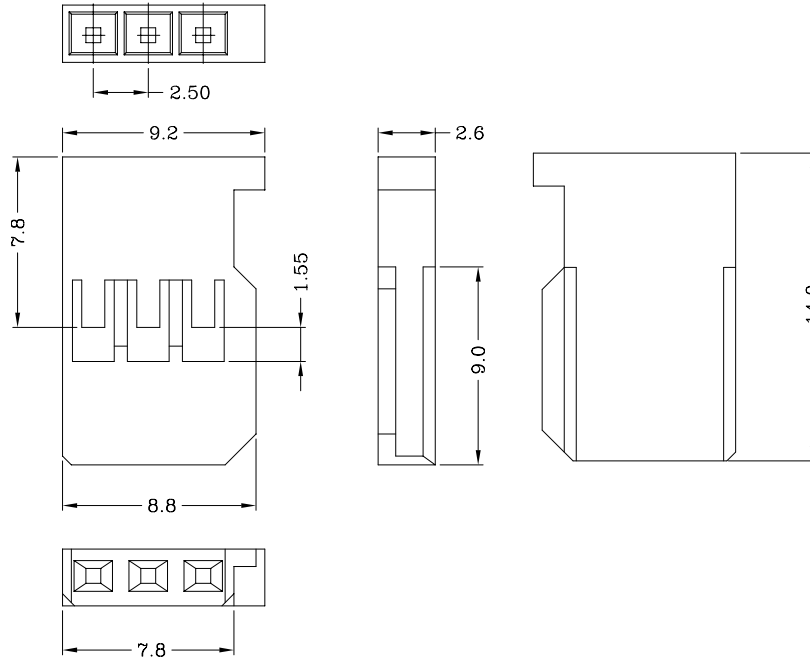
A2510 Series

2.50mm pitch crimp terminal socket



Features:

- * Available in 3 circuits
- * Material: PBT UL 94V-0 (Black)
- * JWT Part No.: A2510H00-3P



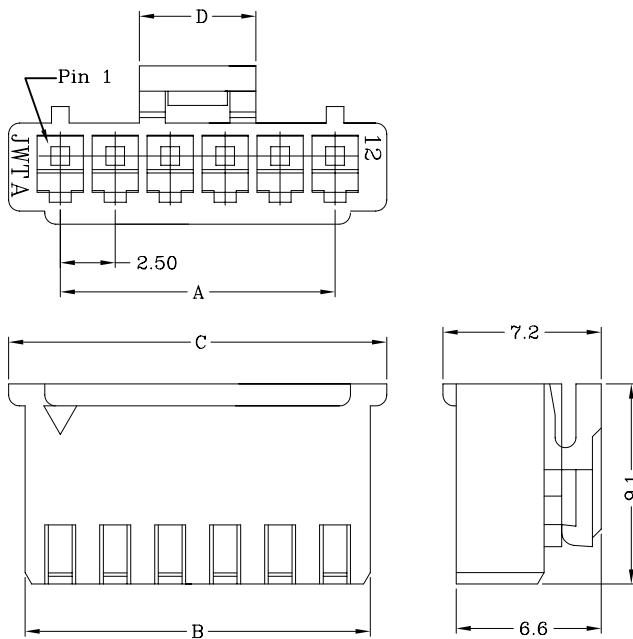
A2512 Series

2.50mm pitch crimp terminal socket

UL:Recognized No. E144544

Features:

- * Available in 2 through 15 circuits
- * Material: Nylon 66 UL 94V-0 (White)
- * Contact terminal: A2501 series terminal
- * Mates with A2512 series wafer



Circuits	Part No	Dimension mm				PCS/BAG
		A	B	C	D	
2	A2512H00-2P	2.50	5.7	7.2	3.0	1000
3	A2512H00-3P	5.00	8.2	9.7	3.0	1000
4	A2512H00-4P	7.50	10.7	12.2	5.3	1000
5	A2512H00-5P	10.00	13.2	14.7	6.5	1000
6	A2512H00-6P	12.50	15.7	17.2	6.5	1000
7	A2512H00-7P	15.00	18.2	19.7	10.3	500
8	A2512H00-8P	17.50	20.7	22.2	10.3	500
9	A2512H00-9P	20.00	23.2	24.7	10.3	500
10	A2512H00-10P	22.50	25.7	27.2	15.3	500
11	A2512H00-11P	25.00	28.2	29.7	15.3	500
12	A2512H00-12P	27.50	30.7	32.2	15.3	500
13	A2512H00-13P	30.00	33.2	34.7	15.3	500
14	A2512H00-14P	32.50	35.7	37.2	15.3	500
15	A2512H00-15P	35.00	38.2	39.7	15.3	500

A2512 Series

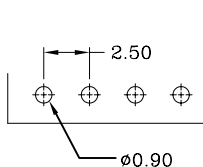
2.50mm pitch wafer (V & R-Type)



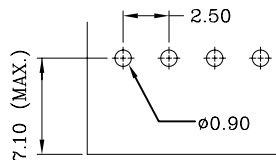
UL:Recognized No. E144544

Features:

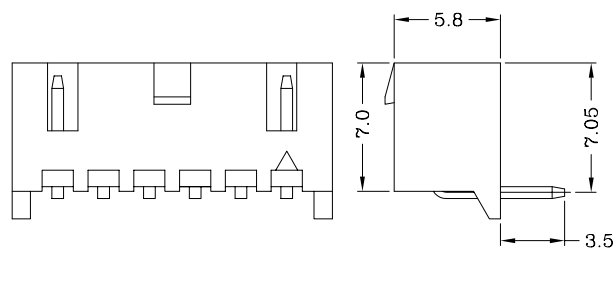
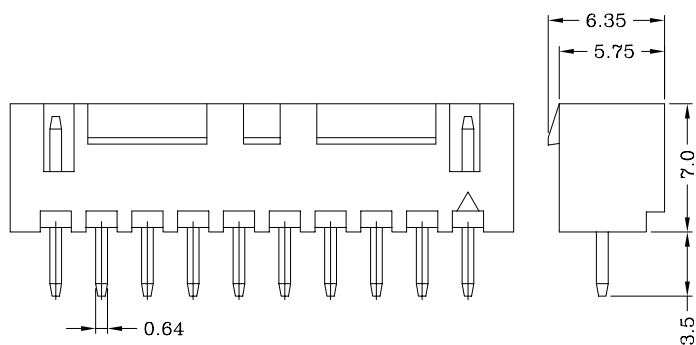
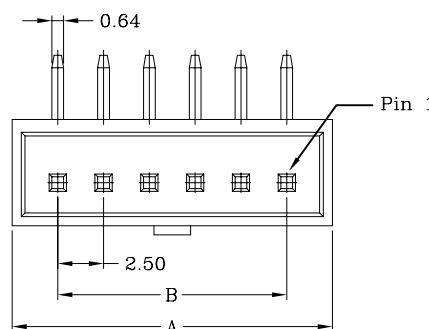
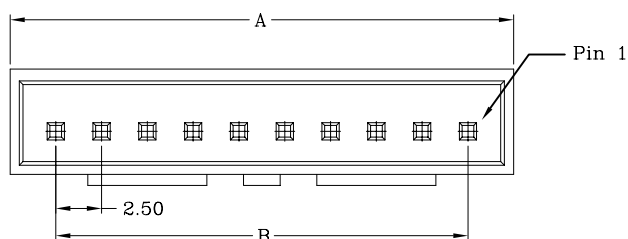
- * Available in 2 through 15 circuits
- * Material: Insulator: Nylon 66 UL 94V-0 (White)
Contact: 0.64mm(.025") square pin, brass, tin plated
- * Mates with A2512 series socket



P.C.B LAYOUT



P.C.B LAYOUT



Straight angle

Right angle

Circuits	Part No		Dimension mm		Qty/Bag
	Straight Angle	Right Angle	A	B	
2	A2512WV0-2 P	A2512WR0-2 P	7.48	2.50	1000
3	A2512WV0-3 P	A2512WR0-3 P	9.98	5.00	1000
4	A2512WV0-4 P	A2512WR0-4 P	12.48	7.50	1000
5	A2512WV0-5 P	A2512WR0-5 P	14.98	10.00	1000
6	A2512WV0-6 P	A2512WR0-6 P	17.48	12.50	1000
7	A2512WV0-7 P	A2512WR0-7 P	19.98	15.00	500
8	A2512WV0-8 P	A2512WR0-8 P	22.48	17.50	500
9	A2512WV0-9 P	A2512WR0-9 P	24.98	20.00	500
10	A2512WV0-10 P	A2512WR0-10 P	27.48	22.50	500
11	A2512WV0-11 P	A2512WR0-11 P	29.98	25.00	500
12	A2512WV0-12 P	A2512WR0-12 P	32.48	27.50	250
13	A2512WV0-13 P	A2512WR0-13 P	34.98	30.00	250
14	A2512WV0-14 P	A2512WR0-14 P	37.48	32.50	250
15	A2512WV0-15 P	A2512WR0-15 P	39.98	35.00	250