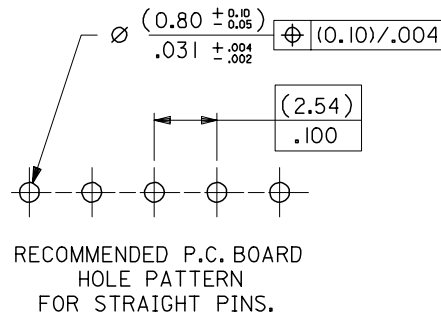


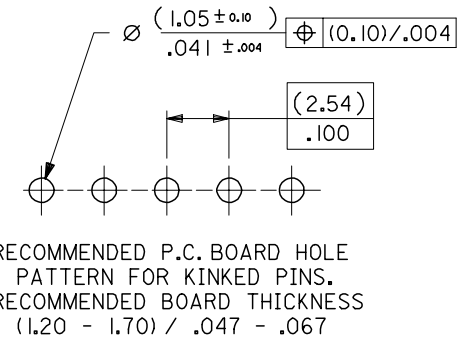
NOTES

- 1) CONTACT-PLATED PHOSPHOR BRONZE.
- 2) HOUSING-15% GLASS FILLED POLYESTER. COLOUR-BLACK.
- 3) FOR KINK OPTION, ALTERNATE PINS KINKED IN OPPOSITE DIRECTIONS.
- 4) FOR (0.635)/.025 SQ. MALE PINS THE LENGTH MUST BE (5.65)/.222 MIN & (7.00)/.276 MAX. TO ENSURE GOOD CONNECTION WITH CONTACT.

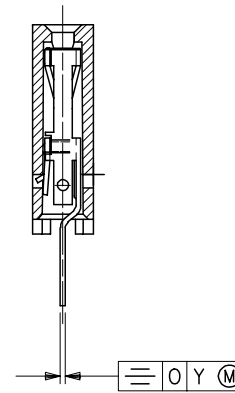
KINKED OPTION



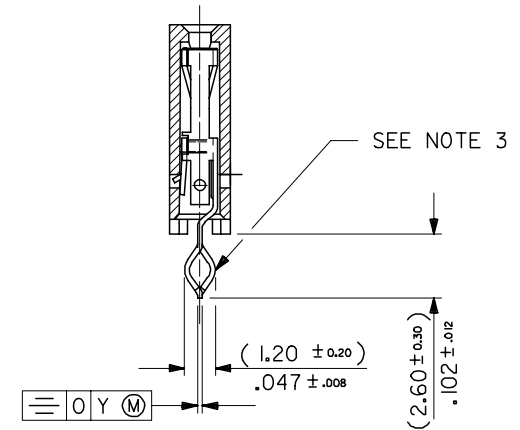
RECOMMENDED P.C. BOARD HOLE PATTERN FOR STRAIGHT PINS.



RECOMMENDED P.C. BOARD HOLE PATTERN FOR KINKED PINS. RECOMMENDED BOARD THICKNESS (1.20 - 1.70) / .047 - .067



SECTION C-C SHOWING STRAIGHT PINS.



SECTION C-C SHOWING KINKED PINS.

REVISION UPDATE EC NO: E2005-1198 DRWN:GMSWEEEN 2005/07/14 CHKD:JDENNEHY 2005/07/14 APPR: JDENNEHY 2005/07/18	DESCRIPTION Z	QUALITY SYMBOLS	GENERAL TOLERANCES (UNLESS SPECIFIED)	DIMENSION STYLE	SCALE	DESIGN UNITS	THIRD ANGLE PROJECTION
		$\nabla=0$ $\triangle=0$	mm INCH 4 PLACES ± --- ± --- 3 PLACES ± --- ± --- 2 PLACES ± --- ± --- 1 PLACE ± --- ± --- ANGULAR ± 2 °	MM/IN	5:1	METRIC	
		DRAWN BY: GMSWEEEN CHECKED BY: JDENNEHY APPROVED BY: JDENNEHY	DATE: 2005/07/14 DATE: 2005/07/14 DATE: 2005/07/18	DRAWN BY: DB CHECKED BY: JDENNEHY APPROVED BY: JDENNEHY	DATE: 1987/07/14 DATE: 2005/07/07 DATE: 2005/07/07	TITLE: C-GRID III, SINGLE ROW VERTICAL P.C. BOARD CONNECTOR ASSEMBLY. MOLEX INCORPORATED	SHEET NO. 1 OF 2
		DRAFT WHERE APPLICABLE MUST REMAIN WITHIN DIMENSIONS	SEE SHEET 2	MATERIAL NO. SDA-90147	DOCUMENT NO.		

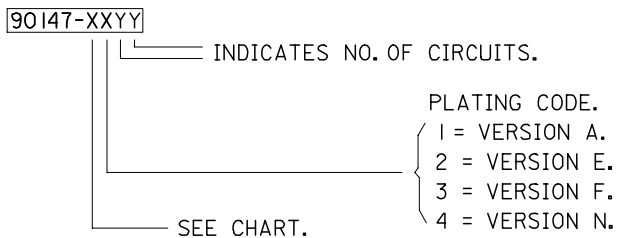
PART NO'S - STRAIGHT PINS	PART NO'S KINKED PINS	NO. OF CKTS	DIM. "A"	DIM. "B" (+0.00) ^{±.000} (-0.00) ^{±.012}	QTY. PER TUBE	
						STANDARD
90147-1X02		2	(2.54) .100	(5.08) .200	105	
↑ 03	↑	90147-2X03	3	(5.08) .200	(7.62) .300	72
04	↓	↑ 04	4	(7.62) .300	(10.16) .400	52
05	90147-9105	↑ 05	5	(10.16) .400	(12.70) .500	44
06	↑	06	6	(12.70) .500	(15.24) .600	36
07		07	7	(15.24) .600	(17.78) .700	30
08		08	8	(17.78) .700	(20.32) .800	26
09		09	9	(20.32) .800	(22.86) .900	22
10		10	10	(22.86) .900	(25.40) 1.000	22
11		11	11	(25.40) 1.000	(27.94) 1.100	20
12		12	12	(27.94) 1.100	(30.48) 1.200	18
13		13	13	(30.48) 1.200	(33.02) 1.300	16
14		14	14	(33.02) 1.300	(35.56) 1.400	14
15		15	15	(35.56) 1.400	(38.10) 1.500	14
16		16	16	(38.10) 1.500	(40.64) 1.600	13
17		17	17	(40.64) 1.600	(43.18) 1.700	13
18		18	18	(43.18) 1.700	(45.72) 1.800	12
19		19	19	(45.72) 1.800	(48.26) 1.900	12
20		20	20	(48.26) 1.900	(50.80) 2.000	11
21		21	21	(50.80) 2.000	(53.34) 2.100	11
22		22	22	(53.34) 2.100	(55.88) 2.200	10
23		23	23	(55.88) 2.200	(58.42) 2.300	9
24		24	24	(58.42) 2.300	(60.96) 2.400	9
25		25	25	(60.96) 2.400	(63.50) 2.500	8
26		26	26	(63.50) 2.500	(66.04) 2.600	8
27		27	27	(66.04) 2.600	(68.58) 2.700	8
28		28	28	(68.58) 2.700	(71.12) 2.800	7
29		29	29	(71.12) 2.800	(73.66) 2.900	7
30		30	30	(73.66) 2.900	(76.20) 3.000	7
↓ 31	↓	↓ 31	31	(76.20) 3.000	(78.74) 3.100	7
90147-1X 32	↓	90147-2X 32	32	(78.74) 3.100	(81.28) 3.200	6

PLATING VERSION A
PRE-PLATED HOT DIP TIN
1.0 TO 2.5 um (.000040" TO .000100").

PLATING VERSION E
1.27 TO 1.78 um (.000050" TO .000070") NICKEL
OVERALL, 0.38 TO 0.64 um (.000015" TO .000025")
GOLD ON CONTACT AREA (OVER NICKEL).
3 TO 5 um (.000120" TO .000200") TIN
ON SOLDER TAILS (OVER NICKEL).

PLATING VERSION F.
1.27 TO 1.78 um (.000050" TO .000070") NICKEL
OVERALL, 0.76 TO 1.0 um (.000030" TO .000040")
GOLD ON CONTACT AREA (OVER NICKEL).
3 TO 5 um (.000120" TO .000200") TIN
ON SOLDER TAILS (OVER NICKEL).

PLATING VERSION N.
1.27 TO 1.78 um (.000050" TO .000070") NICKEL
OVERALL, 0.76 TO 2.6 um (.000030" TO .000100")
GOLD ON CONTACT AREA (OVER NICKEL).
4 um (.000120") MINIMUM TIN
ON SOLDER TAILS (OVER NICKEL).



STANDARD PRODUCTS

ADD PART OPTION EC NO: E2005-1198 DRWN: GMSWEN 2005/07/14 CHKD: DENNEHY 2005/07/14 APPR: DENNEHY 2005/07/18 Z	QUALITY SYMBOLS ▽=0 ▽=0	GENERAL TOLERANCES (UNLESS SPECIFIED)		DIMENSION STYLE MM/IN	SCALE 5:1	DESIGN UNITS METRIC	THIRD ANGLE PROJECTION		
		4 PLACES ± --- ± --- 3 PLACES ± --- ± --- 2 PLACES ± --- ± --- 1 PLACE ± --- ± ---	mm INCH	DRAWN BY DB	DATE 1986/12/28	TITLE C-GRID III SINGLE ROW VERTICAL P.C. BOARD CONNECTOR			
		ANGULAR ± 2 °		CHECKED BY JDENNEHY	DATE 2005/07/07	MOLEX INCORPORATED			
		DRAFT WHERE APPLICABLE MUST REMAIN WITHIN DIMENSIONS		APPROVED BY JDENNEHY	DATE 2005/07/07	MATERIAL NO. SEE CHART	DOCUMENT NO. SDA-90147	SHEET NO. 2 OF 2	