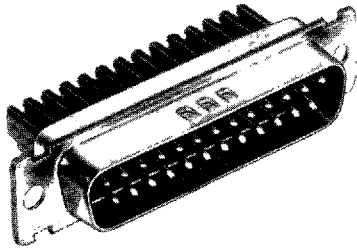
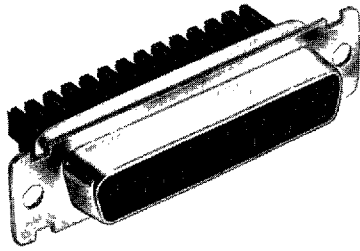


# D-Subminiature Commercial Metal Shell

## .109" (2.77mm) Density T\* Series Discrete Wire IDC



Plug



Socket

### Features

- Accommodates 24–26 AWG solid or stranded PVC wire
- Available in 4 connector sizes: 9, 15, 25, and 37, with insulation displacement terminations, both plug and socket styles
- Intermateable with all D-Subminiature connectors of comparable pin count and complying dimensionally with MIL-C-24308
- Available in alternate shell construction for compatibility with plastic backshell not manufactured by Cinch
- Grounding indents available on plug
- UL Recognized file no. E19071
- CSA Approved

### Performance Data

#### Materials

**Insulation Material:** UL 94V-0 rated glass-filled polyester, black

**Contact Material:** Phosphor bronze

**Contact Plating:** Gold flash over copper (for 30 μinch select plating consult factory)

**Shell Material:** Steel

**Shell Plating:** Zinc with yellow chromate coating or bright tin

### Electrical Characteristics

**Withstanding Voltage:** 1000 VAC rms (@ sea level)

**Current Rating:** 3 Amps

**Contact Resistance:** 2.7 Milliohms maximum

**Insulation Resistance:** 5000 Megohms minimum

### Mechanical Characteristics

**Individual Contact Insertion and Separation Force:** .07 oz. (19.88g) minimum; 12 oz. (340.8g) maximum

### Environmental Characteristics

**Shock:** Exceeds test requirements of MIL-STD-202D, Method 213, Condition G

**Operating Temperature:** – 65°C to + 125°C

**Vibration:** Exceeds requirements of MIL-STD-202D, Method 204, Condition D

**Humidity:** Exceeds requirements of MIL-STD-202D, Method 106

### Accessories

For metal shell D-Subminiature Connector accessories see pages 34 through 45.

### Tools

For IDC termination tools, see pages 46–49.

### Ordering Information

#### Zinc/Yellow Chromate

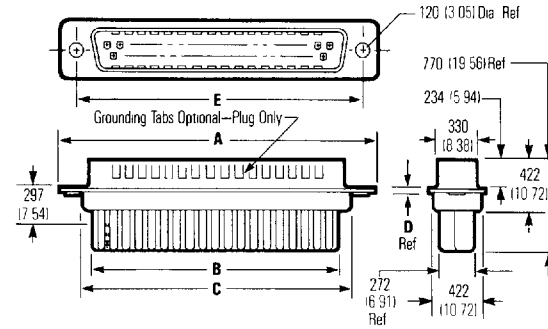
<b>T</b>	<b>B</b>	<b>- 25</b>	<b>P</b>	<b>- SH</b>
<u>Series Prefix</u>	<u>Shell Size</u>	<u>No. of Contacts</u>	<u>Contact Style</u>	<u>Series Suffix</u>
D-Subminiature	E = 09 A = 15 B = 25 C = 37	09 15 25 37	P = Plug S = Socket	

#### Tin Plated

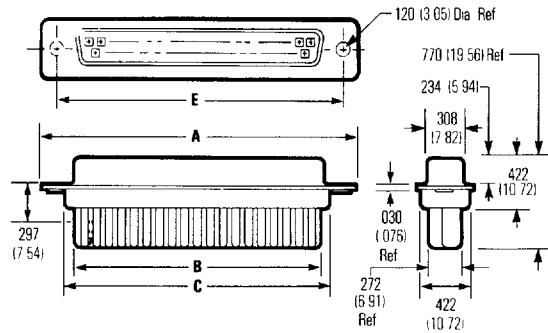
<b>T</b>	<b>B</b>	<b>S</b>	<b>- 25</b>	<b>P</b>	<b>T</b>	<b>I</b>	<b>- 1</b>
<u>Series Prefix</u>	<u>Shell Size</u>	<u>Series Identifier</u>	<u>No. of Contacts</u>	<u>Contact Style</u>	<u>Shell Finish</u>	<u>Modification (Optional)</u>	
D-Subminiature	E = 09 A = 15 B = 25 C = 37	Tin Plated Shell	09 15 25 37	P = Plug S = Socket	T = Tinned	<b>No Entry</b> = No Notches in Shell <b>1</b> = Alternate Shell Construction (See Features)	
						<b>Modification (Optional)</b> <b>I</b> = Grounding Indents (Available on plugs with tinned shells only)	

**Dimensions**

**Plug**



**Socket**

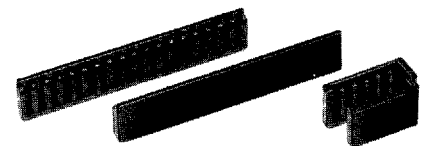


For standard shell dimensions and panel cutouts, see pages 5 and 6

No. of Contacts	A		B		C		D	
	in	mm	in	mm	in	mm	in	mm
9	1.213	30.81	.592	15.04	.759	19.28	.030	76
15	1.541	39.14	.918	23.32	1.083	27.51	.030	76
25	2.088	53.04	1.462	37.13	1.624	41.28	.039	99
37	2.729	69.32	2.114	53.70	2.272	57.71	.039	99

**(Strain Relief) Wire Covers**

No. of Contacts	Part No.
9	SSD-WC9
15	SSD-WC15
25	SSD-WC25
37	SSD-WC37



One-piece cover for 9 contact size. Two-piece cover for other sizes. Cover fits both plug and socket.