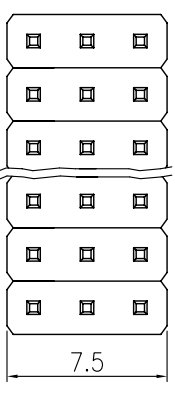
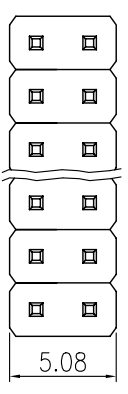
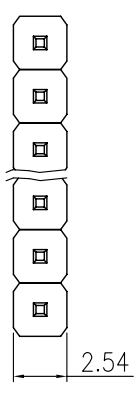
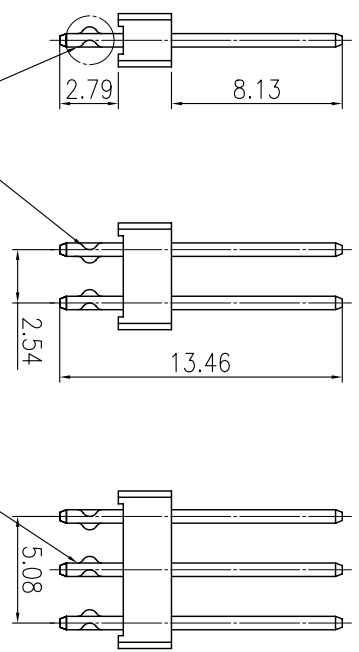
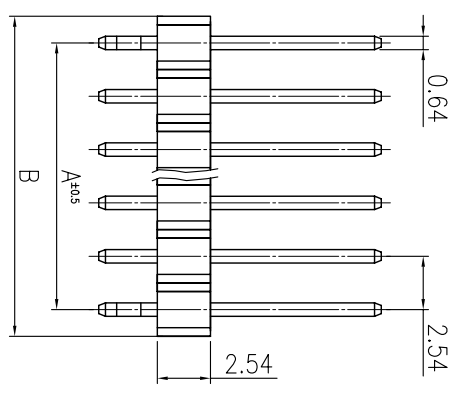


		REVISIONS		
SYM	DESCRIPTION	DATE	APPROVED	SYM
Δ	NOTE ROHS STANDARD	17/Apr/06	AARON	
Δ				

****CUSTOMER DRAWING FOR REFERENCE ONLY, SAMPLES APPROVAL ARE REQUIRED!!**



PART NO.	CIRCUITS	DIMENSION	
		A	B
PH6014-P020_Gf	X2	2.54	5.08
PH6014-P030_Gf	X3	5.08	7.62
PH6014-P040_Gf	X4	7.62	10.16
PH6014-P050_Gf	X5	10.16	12.70
PH6014-P060_Gf	X6	12.70	15.24
PH6014-P070_Gf	X7	15.24	17.78
PH6014-P080_Gf	X8	17.78	20.32
PH6014-P090_Gf	X9	20.32	22.86
PH6014-P100_Gf	X10	22.86	25.40
PH6014-P110_Gf	X11	25.40	27.94
PH6014-P120_Gf	X12	27.94	30.48
PH6014-P130_Gf	X13	30.48	33.02
PH6014-P140_Gf	X14	33.02	35.56
PH6014-P150_Gf	X15	35.56	38.10
PH6014-P160_Gf	X16	38.10	40.64
PH6014-P170_Gf	X17	40.64	43.18
PH6014-P180_Gf	X18	43.18	45.72
PH6014-P190_Gf	X19	45.72	48.26
PH6014-P200_Gf	X20	48.26	50.80
PH6014-P210_Gf	X21	50.80	53.34
PH6014-P220_Gf	X22	53.34	55.88
PH6014-P230_Gf	X23	55.88	58.42
PH6014-P240_Gf	X24	58.42	60.96
PH6014-P250_Gf	X25	60.96	63.50
PH6014-P260_Gf	X26	63.50	66.04
PH6014-P270_Gf	X27	66.04	68.58
PH6014-P280_Gf	X28	68.58	71.12
PH6014-P290_Gf	X29	71.12	73.66
PH6014-P300_Gf	X30	73.66	76.20
PH6014-P310_Gf	X31	76.20	78.74
PH6014-P320_Gf	X32	78.74	81.28
PH6014-P330_Gf	X33	81.28	83.82
PH6014-P340_Gf	X34	83.82	86.36
PH6014-P350_Gf	X35	86.36	88.90
PH6014-P360_Gf	X36	88.90	91.44
PH6014-P370_Gf	X37	91.44	93.98
PH6014-P380_Gf	X38	93.98	96.52
PH6014-P390_Gf	X39	96.52	99.06
PH6014-P400_Gf	X40	99.06	101.6

PECIFICATION
 CURRENT RATING : 3 A
 INSULATOR RESISTANCE : 5000MΩ MIN.
 DIELECTRIC WITHSTANDING : AC 500V.
 OPERATING TEMPERATURE: -40°C~+105°C.
 CONTACT MATERIAL : BRASS
 INSULATOR MATERIAL : STANDARD : P.B.T
 FINISH : GOLD FLASH

ORDER INFORMATION:
 PH6014-PXX0XGf
 PH: PIN HEADER
 a: 2.54mmX2.54mm PITCH
 014: SERIES NO.
 P: PCB TYPE STRAIGHT
 XX: NO. OF PINS PER ROW
 0X: NO. OF ROW
 Gf: TERMINAL PLATING, GOLD FLASH
 K: KINKED PINS(OPTION)

TOLERANCES UNLESS OTHERWISE SPECIFIED		SIGNATURES		DATE	
	±0.25	DRAWN	VVI	10/FEB/03	TITLE
SYMBOL	UNIT	CHECKED	ZOLA	10/FEB/03	MODEL
Δ	mm	APPROVALS			PH6014-P__0_Gf

MMT CORPORATION