

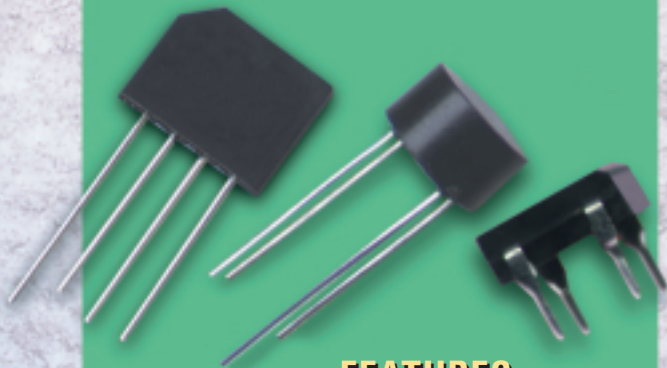
HIGH QUALITY BRIDGE RECTIFIERS

The Surge line of bridge rectifiers provides numerous benefits for engineers who need to maintain a tight control over power in their printed circuit boards.

Highly automated, high volume manufacturing allows us to provide extremely cost efficient products for a wide variety of OEM applications and industry segments.

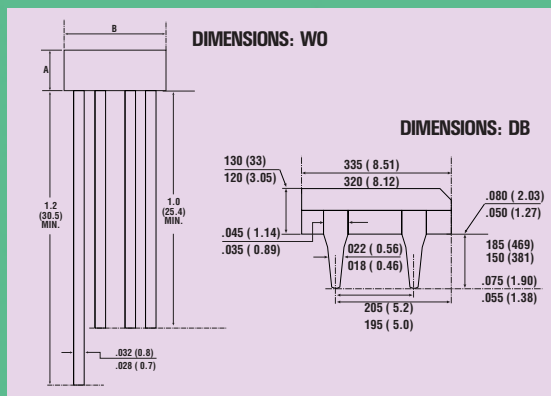
Available in several package styles and configurations, these UL-recognized devices operate within a wide variety of voltage and current ranges, (see specification tables) which allows for greater flexibility in OEM designs and system applications.

Surge's products are manufactured in ISO-certified facilities, and may be purchased from Surge directly or through distribution.



FEATURES:

- UL Recognized
- 1-50 Amperes
- Cost Efficient
- Glass Passivated Available
- Surface Mount Packages



Surge Components, Inc.
1016 Grand Blvd., Deer Park, NY 11729

Tel: 631-595-1818 Fax: 631-595-1283
www.surgecomponents.com

SURGE PART NUMBER	Max. Peak Reverse Voltage	Max. Avg. Rectified Current @ Half-Wave Resistive Load 60Hz		Max. Forward Peak Surge Current @ 8.3ms Superimposed	Max. Reverse Current @ PRV @ 25°C T _A	Max. Forward Voltage @ 25°C T _A	
	PRV	I _o @ T _c		IFM (surge)	I _R	IFM	V _{FM}
	V _{PK}	A _{AV}	°C	APK	μA _{dc}	APK	V _{PK}

THROUGH-HOLE 1.0 AMPERE/DB UL RECOGNIZED

DB101G	50	1.0	40	30	10	1.0	1.1
DB102G	100	1.0	40	30	10	1.0	1.1
DB103G	200	1.0	40	30	10	1.0	1.1
DB104G	400	1.0	40	30	10	1.0	1.1
DB105G	600	1.0	40	30	10	1.0	1.1
DB106G	800	1.0	40	30	10	1.0	1.1
DB107G	1000	1.0	40	30	10	1.0	1.1

SURFACE MOUNT 1.0 AMPERE/DB-S UL RECOGNIZED **SMT**

DBS101G	50	1.0	40	30	10	1.0	1.1
DBS102G	100	1.0	40	30	10	1.0	1.1
DBS103G	200	1.0	40	30	10	1.0	1.1
DBS104G	400	1.0	40	30	10	1.0	1.1
DBS105G	600	1.0	40	30	10	1.0	1.1
DBS106G	800	1.0	40	30	10	1.0	1.1
DBS107G	1000	1.0	40	30	10	1.0	1.1

1.5 AMPERE/RB UL RECOGNIZED

W005	50	1.5	50	30	10	1.0	1.1
W01	100	1.5	50	30	10	1.0	1.1
W02	200	1.5	50	30	10	1.0	1.1
W04	400	1.5	50	30	10	1.0	1.1
W06	600	1.5	50	30	10	1.0	1.1
W08	800	1.5	50	30	10	1.0	1.1
W10	1000	1.5	50	30	10	1.0	1.1

2.0 AMPERE/WOB UL RECOGNIZED

2W005M	50	2.0	50	50	10	1.0	1.1
2W01M	100	2.0	50	50	10	1.0	1.1
2W02M	200	2.0	50	50	10	1.0	1.1
2W04M	400	2.0	50	50	10	1.0	1.1
2W06M	600	2.0	50	50	10	1.0	1.1
2W08M	800	2.0	50	50	10	1.0	1.1
2W10M	1000	2.0	50	50	10	1.0	1.1

2.0 AMPERE/KBP UL RECOGNIZED

KBP201G	50	2.0	50	50	10	1.57	1.1
KBP202G	100	2.0	50	50	10	1.57	1.1
KBP203G	200	2.0	50	50	10	1.57	1.1
KBP204G	400	2.0	50	50	10	1.57	1.1
KBP205G	600	2.0	50	50	10	1.57	1.1
KBP206G	800	2.0	50	50	10	1.57	1.1
KBP207G	1000	2.0	50	50	10	1.57	1.1

3.0 AMPERE/SB-3 UL RECOGNIZED

SB305	50	3.0	*50	60	10	1.5	1.1
SB310	100	3.0	*50	60	10	1.5	1.1
SB320	200	3.0	*50	60	10	1.5	1.1
SB340	400	3.0	*50	60	10	1.5	1.1
SB360	600	3.0	*50	60	10	1.5	1.1
SB380	800	3.0	*50	60	10	1.5	1.1
SB3100	1000	3.0	*50	60	10	1.5	1.1

4.0 AMPERE/KBL UL RECOGNIZED

KBL401L	50	4.0	50	200	10	4.0	1.1
KBL402L	100	4.0	50	200	10	4.0	1.1
KBL403L	200	4.0	50	200	10	4.0	1.1
KBL404L	400	4.0	50	200	10	4.0	1.1
KBL405L	600	4.0	50	200	10	4.0	1.1
KBL406L	800	4.0	50	200	10	4.0	1.1
KBL407L	1000	4.0	50	200	10	4.0	1.1

4.0 AMPERE/KBL UL RECOGNIZED

KBL401	50	4.0	50	200	10	6.28	1.1
KBL402	100	4.0	50	200	10	6.28	1.1
KBL403	200	4.0	50	200	10	6.28	1.1
KBL404	400	4.0	50	200	10	6.28	1.1
KBL405	600	4.0	50	200	10	6.28	1.1
KBL406	800	4.0	50	200	10	6.28	1.1
KBL407	1000	4.0	50	200	10	6.28	1.1

6.0 AMPERE/KBU UL RECOGNIZED

KBU601	50	6.0	65	200	10	6.0	1.1
KBU602	100	6.0	65	200	10	6.0	1.1
KBU603	200	6.0	65	200	10	6.0	1.1
KBU604	400	6.0	65	200	10	6.0	1.1
KBU605	600	6.0	65	200	10	6.0	1.1
KBU606	800	6.0	65	200	10	6.0	1.1
KBU607	1000	6.0	65	200	10	6.0	1.1

(See Reverse Side For More Specifications)

Other current ranges and package styles available upon request.

HIGH QUALITY BRIDGE RECTIFIERS

SURGE PART NUMBER	Max. Peak Reverse Voltage	Max. Avg. Rectified Current @ Half-Wave Resistive Load 60hz		Max. Forward Peak Surge Current @ 8.3ms Superimposed	Max. Reverse Current @ PRV @ 25°C T _A	Max. Forward Voltage @ 25°C T _A	
	PRV	I _o @ T _c		I _{FM} (surge)	I _R	I _{FM}	V _{FM}
	V _{PK}	A _{AV}	°c	A _{PK}	μA _{dc}	A _{PK}	V _{PK}

6.0 AMPERE/SB-6 UL RECOGNIZED

SB601/KBPC601	50	6.0	50	200	10	3.0	1.1
SB602/KBPC602	100	6.0	50	200	10	3.0	1.1
SB603/KBPC603	200	6.0	50	200	10	3.0	1.1
SB604/KBPC604	400	6.0	50	200	10	3.0	1.1
SB605/KBPC605	600	6.0	50	200	10	3.0	1.1
SB606/KBPC606	800	6.0	50	200	10	3.0	1.1
SB607/KBPC607	1000	6.0	50	200	10	3.0	1.1

8.0 AMPERE/SB-10 UL RECOGNIZED

SB801/KBPC801	50	8.0	50	200	10	4.0	1.1
SB802/KBPC802	100	8.0	50	200	10	4.0	1.1
SB803/KBPC803	200	8.0	50	200	10	4.0	1.1
SB804/KBPC804	400	8.0	50	200	10	4.0	1.1
SB805/KBPC805	600	8.0	50	200	10	4.0	1.1
SB806/KBPC806	800	8.0	50	200	10	4.0	1.1
SB807/KBPC807	1000	8.0	50	200	10	4.0	1.1

10 AMPERE/SB-10 UL RECOGNIZED

SB1001/KBPC1001	50	10	50	200	10	5.0	1.1
SB1002/KBPC1002	100	10	50	200	10	5.0	1.1
SB1003/KBPC1003	200	10	50	200	10	5.0	1.1
SB1004/KBPC1004	400	10	50	200	10	5.0	1.1
SB1005/KBPC1005	600	10	50	200	10	5.0	1.1
SB1006/KBPC1006	800	10	50	200	10	5.0	1.1
SB1007/KBPC1007	1000	10	50	200	10	5.0	1.1

15 AMPERE/SB-35/SB-35W UL RECOGNIZED

SB15005/KBPC15005	50	15	55	300	10	7.5	1.1
SB1501/KBPC1501	100	15	55	300	10	7.5	1.1
SB1502/KBPC1502	200	15	55	300	10	7.5	1.1
SB1504/KBPC1504	400	15	55	300	10	7.5	1.1
SB1506/KBPC1506	600	15	55	300	10	7.5	1.1
SB1508/KBPC1508	800	15	55	300	10	7.5	1.1
SB1510/KBPC1510	1000	15	55	300	10	7.5	1.1

25 AMPERE/SB-35/SB35W UL RECOGNIZED

SB25005/KBPC25005	50	25	55	300	10	12.5	1.1
SB2501/KBPC2501	100	25	55	300	10	12.5	1.1
SB2502/KBPC2502	200	25	55	300	10	12.5	1.1
SB2504/KBPC2504	400	25	55	300	10	12.5	1.1
SB2506/KBPC2506	600	25	55	300	10	12.5	1.1
SB2508/KBPC2508	800	25	55	300	10	12.5	1.1
SB2510/KBPC2510	1000	25	55	300	10	12.5	1.1

35 AMPERE/SB-35/SB35W UL RECOGNIZED

SB35005/KBPC35005	50	35	55	400	10	17.5	1.1
SB3501/KBPC3501	100	35	55	400	10	17.5	1.1
SB3502/KBPC3502	200	35	55	400	10	17.5	1.1
SB3504/KBPC3504	400	35	55	400	10	17.5	1.1
SB3506/KBPC3506	600	35	55	400	10	17.5	1.1
SB3508/KBPC3508	800	35	55	400	10	17.5	1.1
SB3510/KBPC3510	1000	35	55	400	10	17.5	1.1

GLASS PASSIVATED 15 AMPERE/GBPC/GBPC-W UL RECOGNIZED

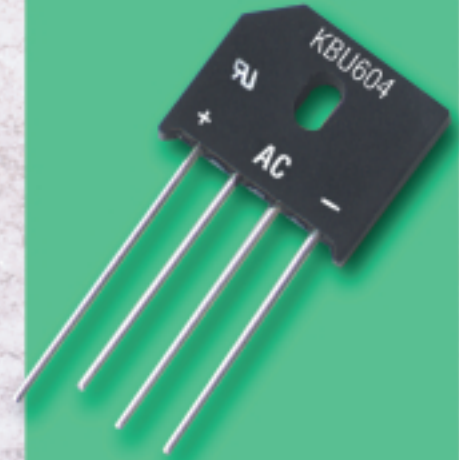
GBPC15005	50	15	55	300	10	7.5	1.1
GBPC1501	100	15	55	300	10	7.5	1.1
GBPC1502	200	15	55	300	10	7.5	1.1
GBPC1504	400	15	55	300	10	7.5	1.1
GBPC1506	600	15	55	300	10	7.5	1.1
GBPC1508	800	15	55	300	10	7.5	1.1
GBPC1510	1000	15	55	300	10	7.5	1.1

GLASS PASSIVATED 25 AMPERE/GBPC/GBPC-W UL RECOGNIZED

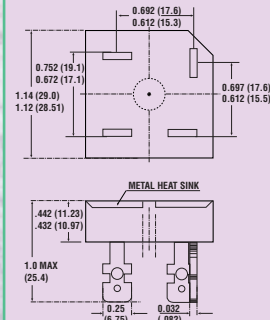
GBPC25005	50	25	55	300	10	12.5	1.1
GBPC2501	100	25	55	300	10	12.5	1.1
GBPC2502	200	25	55	300	10	12.5	1.1
GBPC2504	400	25	55	300	10	12.5	1.1
GBPC2506	600	25	55	300	10	12.5	1.1
GBPC2508	800	25	55	300	10	12.5	1.1
GBPC2510	1000	25	55	300	10	12.5	1.1

GLASS PASSIVATED 35 AMPERE/GBPC/GBPC-W UL RECOGNIZED

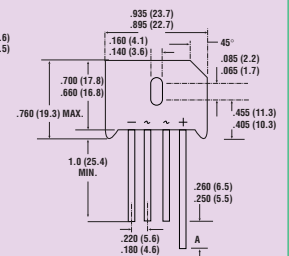
GBPC35005	50	35	55	400	10	17.5	1.1
GBPC3501	100	35	55	400	10	17.5	1.1
GBPC3502	200	35	55	400	10	17.5	1.1
GBPC3504	400	35	55	400	10	17.5	1.1
GBPC3506	600	35	55	400	10	17.5	1.1
GBPC3508	800	35	55	400	10	17.5	1.1
GBPC3510	1000	35	55	400	10	17.5	1.1



**DIMENSIONS: GBPC
(Radial Leads)**



**DIMENSIONS: KBU
(Radial Leads)**



SURGE

Surge Components, Inc.
1016 Grand Blvd.,
Deer Park, NY 11729

Tel: 631-595-1818
Fax: 631-595-1283

www.surgecomponents.com