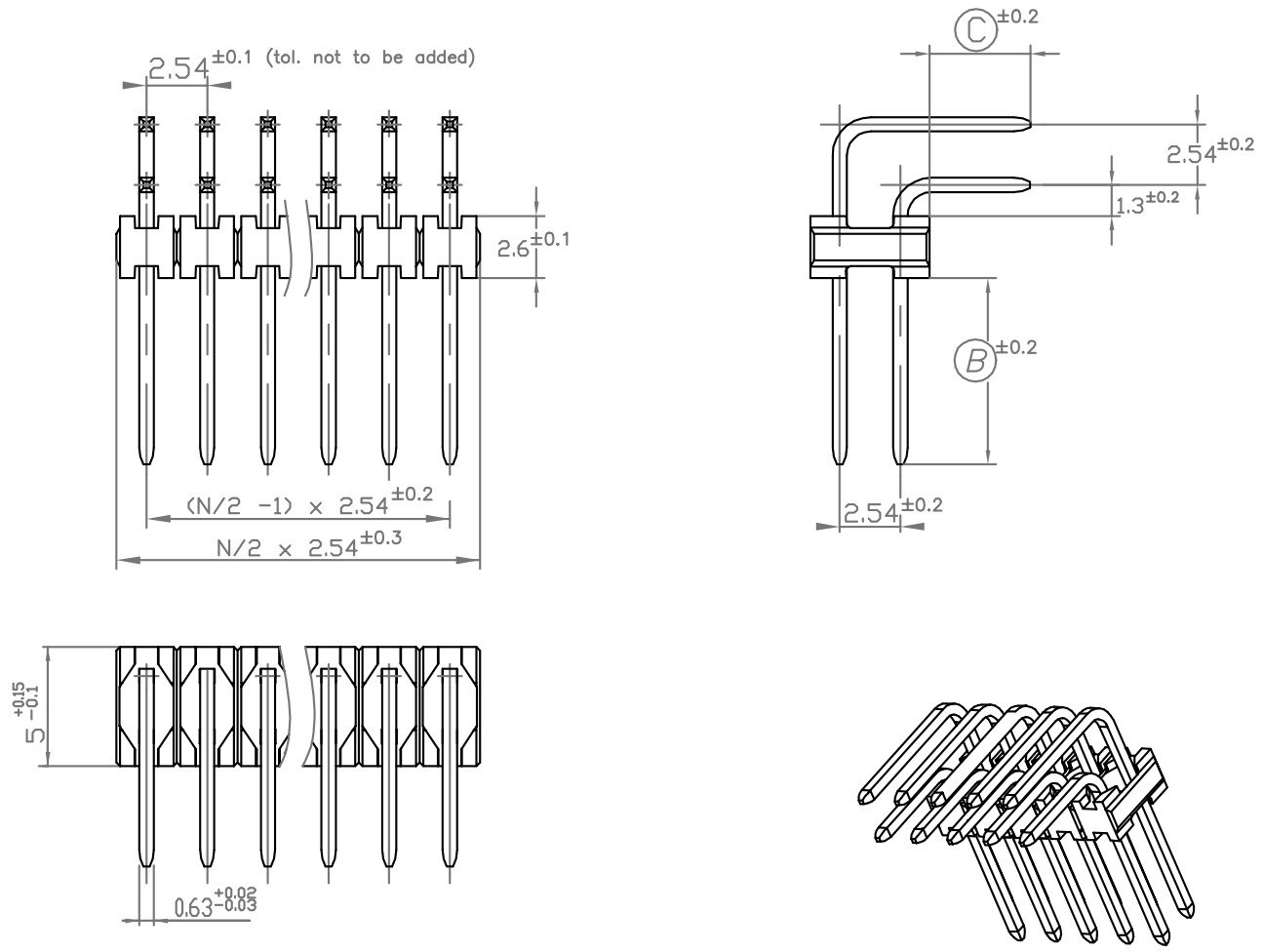


THIS DRAWING IS THE PROPERTY OF KONTEK COMATEL S.p.a. AND IT CAN NOT BE USED, REPRODUCED AND OR LOANED TO THIRD PARTIES WITHOUT THE WRITTEN PERMISSION OF KONTEK COMATEL S.p.a.



QUESTO DISEGNO È DI PROPRIETÀ DELLA KONTEK COMATEL S.p.a. E NON PUO' ESSERE USATO, E/O CEDUTO A TERZI SENZA IL PERMESSO SCRITTO DELLA KONTEK COMATEL S.p.a.

ZZ	(B)	(C)	PINS CODE 1	CODE PINS 2
51	2.3	3.2	Y= 0: KAU13 Y= 1: KAU13F Y= 4: KSN13 L= 10.2mm	Y= 0: KAU22 Y= 1: KAU22F Y= 4: KSN22 L= 15.1mm
52	6.6	3.2	Y= 0: KAU21 Y= 1: KAU21F Y= 4: KSN21 L= 14.5mm	Y= 0: KAU31 Y= 1: KAU31F Y= 4: KSN31 L= 19.5mm
53	4.5	3.2	Y= 0: KAU17 Y= 1: KAU17F Y= 4: KSN17 L= 12.4mm	Y= 0: KAU28 Y= 1: KAU28F Y= 4: KSN28 L= 17.7mm
54	7.2	3.2	Y= 0: KAU22 Y= 1: KAU22F Y= 4: KSN22 L= 15.1mm	Y= 0: KAU32 Y= 1: KAU32F Y= 4: KSN32 L= 20.3mm
67	11.5	3.2	Y= 0: KAU31 Y= 1: KAU31F Y= 4: KSN31 L= 19.5mm	Y= 0: KAU36 Y= 1: KAU36F Y= 4: KSN36 L= 24.4mm
72	REPLACED WITH ZZ= 67			
74	15.4	3.2	Y= 0: KAU35 Y= 1: KAU35F Y= 4: KSN35 L= 23.3mm	Y= 0: KAU39 Y= 1: KAU39F Y= 4: KSN39 L= 28.3mm
79	17.9	3.2	Y= 0: KAU37 Y= 1: KAU37F Y= 4: KSN37 L= 25.8mm	Y= 0: KAU42 Y= 1: KAU42F Y= 4: KSN42 L= 30.8mm

Reserved to the customer

Customer's code

Stamp and sign for approval

DATE:

UNIT:mm

			Kontek - Comatel		
A		30-03-07	modifica materiale plastico	Insulator code	K0680
INDEX		DATE	EDIT	Pin code	See plan
Tolerances for free dimensions				Insulator: Stanyl 15%GF UL94 VO	
				Material: Pin: Phosphor bronze	
ANGULAR VALUES	From 0.5 to 3	> 3 to 6	> 6 to 10	> 10 to 18	> 18 to 30
	±0.125	±0.150	±0.180	±0.215	±0.260
				±0.310	±0.370
				±0.435	±0.500
				±0.575	±0.650
				Platings	Y= 0: Gold plating 0.2µm over 1.27±3µm Ni Y= 1: Gold flash Y= 4: Tin plating 4±8µm over 1.27±3µm Ni
				Protection	XX=N= Number of contacts (02÷80)
			Denomination		Code
			Dual row, banded connector,		97499ZZ1XX4Y0
			pitch 2.54mm.		File: 97499ZZ1XX4Y0
					index _____ A



UNIT:mm

Date
10-12-03

Design.
Pandiscia M.

Contr.
Chiappini R.