

DATA SHEET

74ABT162244

74ABTH162244

16-bit buffer/line driver with 30Ω series
termination resistors (3-State)

Product specification
Supersedes data of 1998 Feb 25
IC23 Data Handbook

1998 Oct 22

16-bit buffer/line driver with 30Ω series termination resistors (3-State)

74ABT162244 74ABTH162244

FEATURES

- 16-bit bus interface
- Multiple V_{CC} and GND pins minimize switching noise
- Power-up 3-State
- 3-State buffers
- Output capability: +12 mA/-32mA
- Live insertion/extraction permitted
- Latch-up protection exceeds 500mA per JEDEC Std 17
- ESD protection exceeds 2000 V per MIL STD 883 Method 3015 and 200 V per Machine Model
- Same part as 74ABT162244-1
- 74ABTH162244 incorporates bus hold data inputs which eliminate the need for external pull-up resistors to hold unused inputs
- Bus-hold data inputs eliminate the need for external pull-up resistors to hold unused inputs

DESCRIPTION

The 74ABT162244 high-performance BiCMOS device combines low static and dynamic power dissipation with high speed.

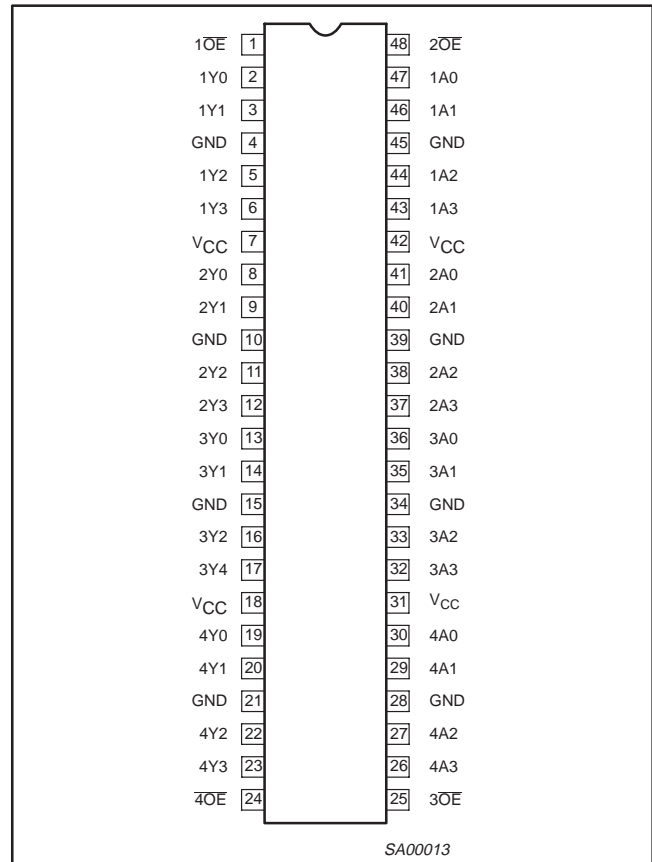
The 74ABT162244 device is a 16-bit buffer that is ideal for driving bus lines. The device features four Output Enables ($1\overline{OE}$, $2\overline{OE}$, $3\overline{OE}$, $4\overline{OE}$), each controlling four of the 3-State outputs.

The 74ABT162244 is designed with 30Ω series resistance in both the upper and lower output structures. This design reduces line noise in applications such as memory address drivers, clock drivers and bus receivers/transmitters.

The 74ABT162244 is the same as the 74ABT16244-1. The part number has been changed to reflect industry standards.

Two options are available, 74ABT162244 which does not have the bus hold feature and the 74ABTH162244 which incorporates the bus hold feature.

PIN CONFIGURATION



QUICK REFERENCE DATA

SYMBOL	PARAMETER	CONDITIONS $T_{amb} = 25^{\circ}\text{C}; \text{GND} = 0\text{V}$	TYPICAL	UNIT
t_{PLH} t_{PHL}	Propagation delay nAx to nYx	$C_L = 50\text{pF}; V_{CC} = 5\text{V}$	1.8 3.2	ns
C_{IN}	Input capacitance	$V_I = 0\text{V}$ or V_{CC}	3	pF
C_{OUT}	Output capacitance	$V_O = 0\text{V}$ or V_{CC} ; 3-State	7	pF
I_{CCZ}	Quiescent supply current	Outputs disabled; $V_{CC} = 5.5\text{V}$	500	μA
I_{CCL}		Outputs Low; $V_{CC} = 5.5\text{V}$	10	mA

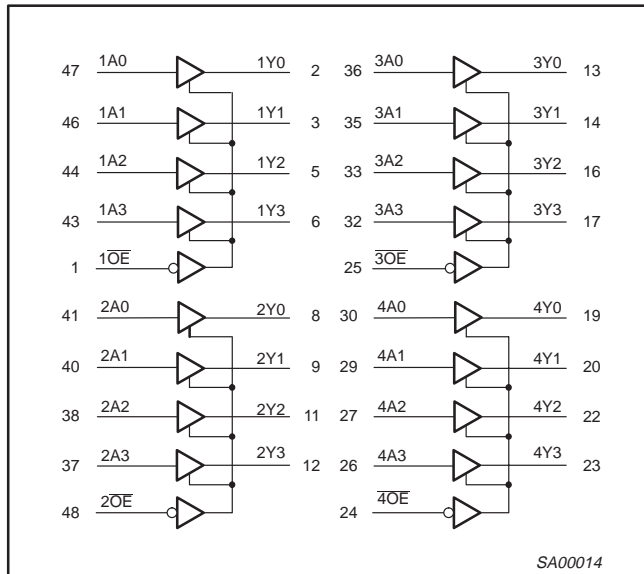
ORDERING INFORMATION

PACKAGES	TEMPERATURE RANGE	OUTSIDE NORTH AMERICA	NORTH AMERICA	DWG NUMBER
48-Pin Plastic SSOP Type III	-40°C to +85°C	74ABT162244 DL	BT162244 DL	SOT370-1
48-Pin Plastic TSSOP Type II	-40°C to +85°C	74ABT162244 DGG	BT162244 DGG	SOT362-1
48-Pin Plastic SSOP Type III	-40°C to +85°C	74ABTH162244 DL	BH162244 DL	SOT370-1
48-Pin Plastic TSSOP Type II	-40°C to +85°C	74ABTH162244 DGG	BH162244 DGG	SOT362-1

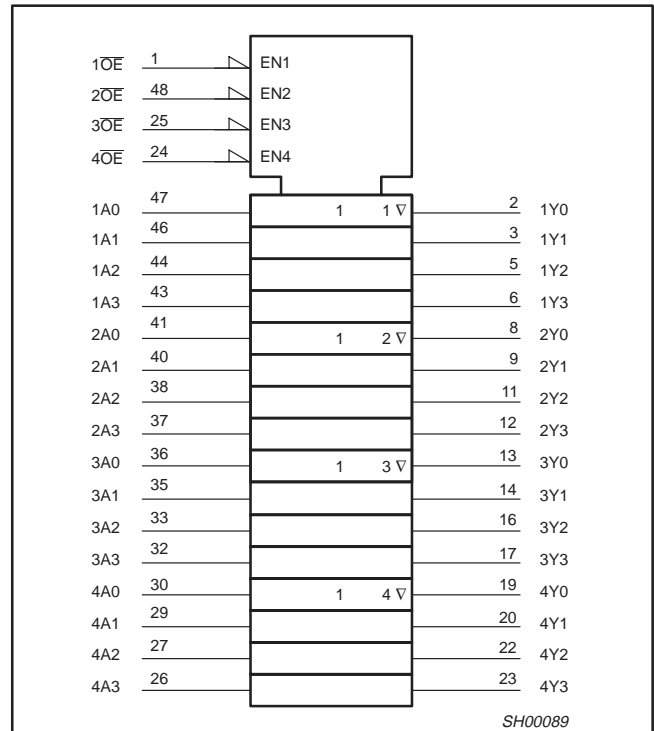
16-bit buffer/line driver with 30Ω series termination resistors (3-State)

74ABT162244
74ABTH162244

LOGIC SYMBOL



LOGIC SYMBOL (IEEE/IEC)

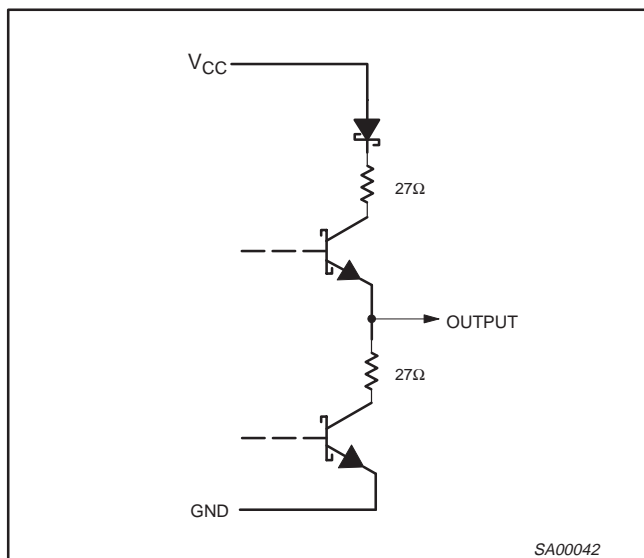


FUNCTION TABLE

INPUTS		OUTPUTS
\overline{nOE}	nAx	nYx
L	L	L
L	H	H
H	X	Z

H = High voltage level
L = Low voltage level
X = Don't care
Z = High impedance "off" state

SCHEMATIC OF Y OUTPUTS



PIN DESCRIPTION

PIN NUMBER	SYMBOL	NAME AND FUNCTION
47, 46, 44, 43 41, 40, 38, 37 36, 35, 33, 32 30, 29, 27, 26	1A0 – 1A3, 2A0 – 2A3, 3A0 – 3A3, 4A0 – 4A3	Data inputs
2, 3, 5, 6 8, 9, 11, 12 13, 14, 16, 17 19, 20, 22, 23	1Y0 – 1Y3, 2Y0 – 2Y3, 3Y0 – 3Y3, 4Y0 – 4Y3	Data outputs
1, 48 25, 24	$\overline{1OE}$, $\overline{2OE}$, $\overline{3OE}$, $\overline{4OE}$	Output enables
4, 10, 15, 21 28, 34, 39, 45	GND	Ground (0V)
7, 18, 31, 42	V_{CC}	Positive supply voltage

16-bit buffer/line driver with 30Ω series termination resistors (3-State)

74ABT162244
74ABTH162244

ABSOLUTE MAXIMUM RATINGS^{1, 2}

SYMBOL	PARAMETER	CONDITIONS	RATING	UNIT
V _{CC}	DC supply voltage		-0.5 to +7.0	V
I _{IK}	DC input diode current	V _I < 0	-18	mA
V _I	DC input voltage ³		-1.2 to +7.0	V
I _{OK}	DC output diode current	V _O < 0	-50	mA
V _{OUT}	DC output voltage ³	output in Off or High state	-0.5 to +5.5	V
I _{OUT}	DC output current	output in Low state	128	mA
		output in High state	-64	
T _{stg}	Storage temperature range		-65 to 150	°C

NOTES:

- Stresses beyond those listed may cause permanent damage to the device. These are stress ratings only and functional operation of the device at these or any other conditions beyond those indicated under "recommended operating conditions" is not implied. Exposure to absolute-maximum-rated conditions for extended periods may affect device reliability.
- The performance capability of a high-performance integrated circuit in conjunction with its thermal environment can create junction temperatures which are detrimental to reliability. The maximum junction temperature of this integrated circuit should not exceed 150°C.
- The input and output voltage ratings may be exceeded if the input and output current ratings are observed.

RECOMMENDED OPERATING CONDITIONS

SYMBOL	PARAMETER	LIMITS		UNIT
		Min	Max	
V _{CC}	DC supply voltage	4.5	5.5	V
V _I	Input voltage	0	V _{CC}	V
V _{IH}	High-level input voltage	2.0		V
V _{IL}	Low-level input voltage		0.8	V
I _{OH}	High-level output current		-32	mA
I _{OL}	Low-level output current		12	mA
Δt/Δv	Input transition rise or fall rate	0	10	ns/V
T _{amb}	Operating free-air temperature range	-40	+85	°C

16-bit buffer/line driver with 30Ω series termination resistors (3-State)

74ABT162244 74ABTH162244

DC ELECTRICAL CHARACTERISTICS

SYMBOL	PARAMETER	TEST CONDITIONS	LIMITS					UNIT
			T _{amb} = +25°C			T _{amb} = -40°C to +85°C		
			Min	Typ	Max	Min	Max	
V _{IK}	Input clamp voltage	V _{CC} = 4.5V; I _{IK} = -18mA		-0.9	-1.2		-1.2	V
V _{OH}	High-level output voltage ³	V _{CC} = 4.5V; I _{OH} = -3mA; V _I = V _{IL} or V _{IH}	2.5	2.9		2.5		V
		V _{CC} = 5V; I _{OH} = -3mA; V _I = V _{IL} or V _{IH}	3.0	3.4		3.0		V
		V _{CC} = 4.5V; I _{OH} = -32mA; V _I = V _{IL} or V _{IH}	2.0	2.4		2.0		V
V _{OL}	Low-level output voltage	V _{CC} = 4.5V; I _{OL} = 8mA; V _I = V _{IL} or V _{IH}			0.65		0.65	V
		V _{CC} = 4.5V; I _{OL} = 12mA; V _I = V _{IL} or V _{IH}			0.80		0.80	V
I _I	Input leakage current	V _{CC} = 5.5V; V _I = GND or 5.5V		±0.01	±1.0		±1.0	μA
I _I	Input leakage current 74ABTH162244	V _{CC} = 5.5V; V _I = V _{CC} or GND	Control pins	±0.01	±1.0		±1.0	μA
		V _{CC} = 5.5V; V _I = V _{CC}		0.01	1.0		1.0	μA
		V _{CC} = 5.5V; V _I = 0	Data pins	-2.0	-3.0		-5.0	μA
I _{HOLD}	Bus Hold Current A Inputs ⁴ 74ABTH162244	V _{CC} = 4.5V; V _I = 0.8V	50			50		μA
		V _{CC} = 5.5V; V _I = 2.0V	-75			-75		
		V _{CC} = 5.5V; V _I = 0 to 5.5V	±500					
I _{OFF}	Power-off leakage current	V _{CC} = 0.0V; V _O or V _I ≤ 4.5V		±5.0	±100		±100	μA
I _{PU/PD}	Power-up/down 3-State output current	V _{CC} = 2.0V; V _O = 0.5V; V _I = GND or V _{CC} ; V _{OE} = Don't care		±5.0	±50		±50	μA
I _{OZH}	3-State output High current	V _{CC} = 5.5V; V _O = 5.5V; V _I = V _{IL} or V _{IH}		0.1	10		10	μA
I _{OZL}	3-State output Low current	V _{CC} = 5.5V; V _O = 0.0V; V _I = V _{IL} or V _{IH}		-0.1	-10		-10	μA
I _{CEx}	Output High leakage current	V _{CC} = 5.5V; V _O = 5.5V; V _I = GND or V _{CC}		5.0	50		50	μA
I _O	Output current ¹	V _{CC} = 5.5V; V _O = 2.5V	-50	-100	-180	-50	-180	mA
I _{CCH}	Quiescent supply current ³	V _{CC} = 5.5V; Outputs High, V _I = GND or V _{CC}		0.50	1.0		1.0	mA
I _{CCL}		V _{CC} = 5.5V; Outputs Low, V _I = GND or V _{CC}		10	19		19	mA
I _{CCZ}		V _{CC} = 5.5V; Outputs 3-State; V _I = GND or V _{CC}		0.50	1.0		1.0	mA
ΔI _{CC}	Additional supply current per input pin ^{2, 3}	Outputs enabled, one data input at 3.4V, other inputs at V _{CC} or GND; V _{CC} = 5.5V		100	250		250	μA
		Outputs disabled, one data input at 3.4V, other inputs at V _{CC} or GND; V _{CC} = 5.5V		100	250		250	μA
		Control pins, outputs disabled, one enable input at 3.4V, other inputs at V _{CC} or GND; V _{CC} = 5.5V		100	250		250	μA

NOTES:

- Not more than one output should be tested at a time, and the duration of the test should not exceed one second.
- This is the increase in supply current for each input at 3.4V.
- This data sheet limit may vary among suppliers.
- This is the bus hold overdrive current required to force the input to the opposite logic state.

16-bit buffer/line driver with 30Ω series termination resistors (3-State)

74ABT162244
74ABTH162244

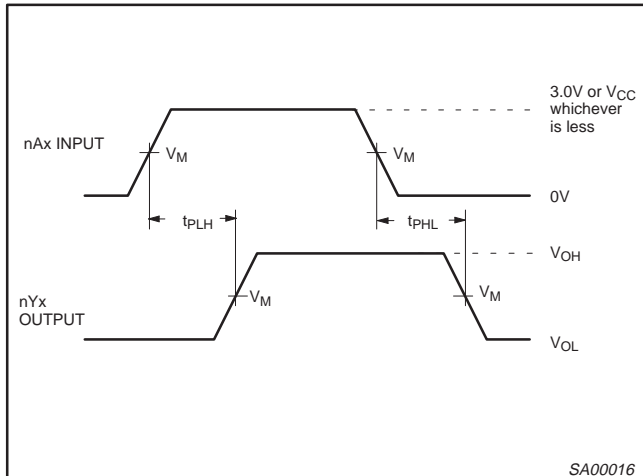
AC CHARACTERISTICS

GND = 0V; $t_R = t_F = 2.5\text{ns}$; $C_L = 50\text{pF}$, $R_L = 500\Omega$

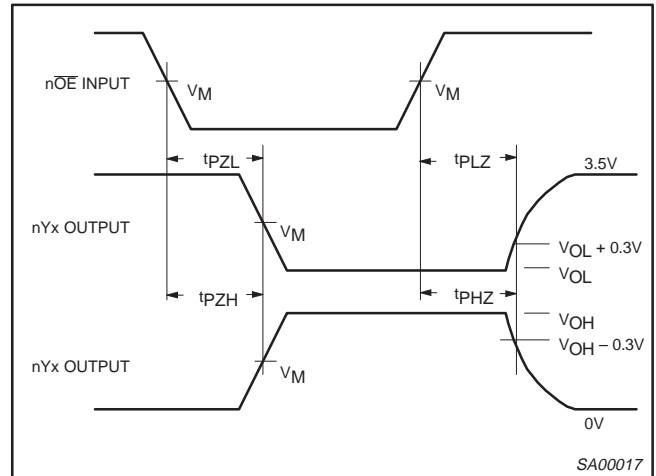
SYMBOL	PARAMETER	WAVEFORM	LIMITS					UNIT
			$T_{\text{amb}} = +25^\circ\text{C}$ $V_{\text{CC}} = +5.0\text{V}$			$T_{\text{amb}} = -40^\circ\text{C to } +85^\circ\text{C}$ $V_{\text{CC}} = +5.0\text{V} \pm 0.5\text{V}$		
			Min	Typ	Max	Min	Max	
t_{PLH} t_{PHL}	Propagation delay nAx to nYx	1	1.0 1.6	1.8 3.2	2.4 4.0	1.0 1.6	2.7 4.4	ns
t_{PZH} t_{PZL}	Output enable time to High and Low level	2	1.2 2.6	2.7 5.0	3.5 6.2	1.2 2.6	4.3 7.3	ns
t_{PHZ} t_{PLZ}	Output disable time from High and Low level	2	1.5 1.3	3.0 2.6	3.8 3.3	1.5 1.3	4.5 4.6	ns

AC WAVEFORMS

$V_M = 1.5\text{V}$, $V_{\text{IN}} = \text{GND to } 3.0\text{V}$



Waveform 1. Input (An) to Output (Yn) Propagation Delays

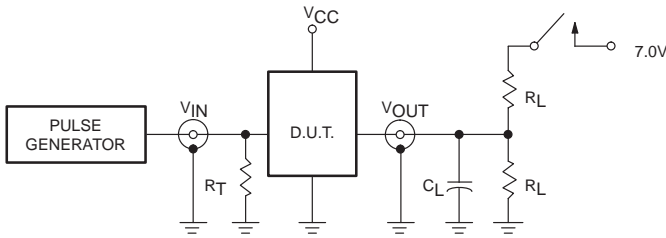


Waveform 2. 3-State Output Enable and Disable Times

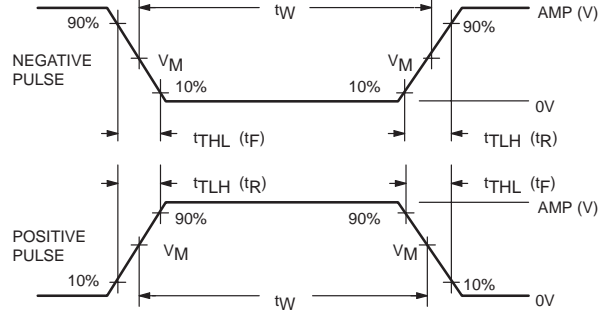
16-bit buffer/line driver with 30Ω series termination resistors (3-State)

74ABT162244
74ABTH162244

TEST CIRCUIT AND WAVEFORMS



Test Circuit for 3-State Outputs



VM = 1.5V
Input Pulse Definition

SWITCH POSITION

TEST	SWITCH
tPLZ	closed
tPZL	closed
All other	open

DEFINITIONS

RL = Load resistor; see AC CHARACTERISTICS for value.
 CL = Load capacitance includes jig and probe capacitance; see AC CHARACTERISTICS for value.
 RT = Termination resistance should be equal to ZOUT of pulse generators.

FAMILY	INPUT PULSE REQUIREMENTS				
	Amplitude	Rep. Rate	tW	tR	tF
74ABT/H16	3.0V	1MHz	500ns	2.5ns	2.5ns

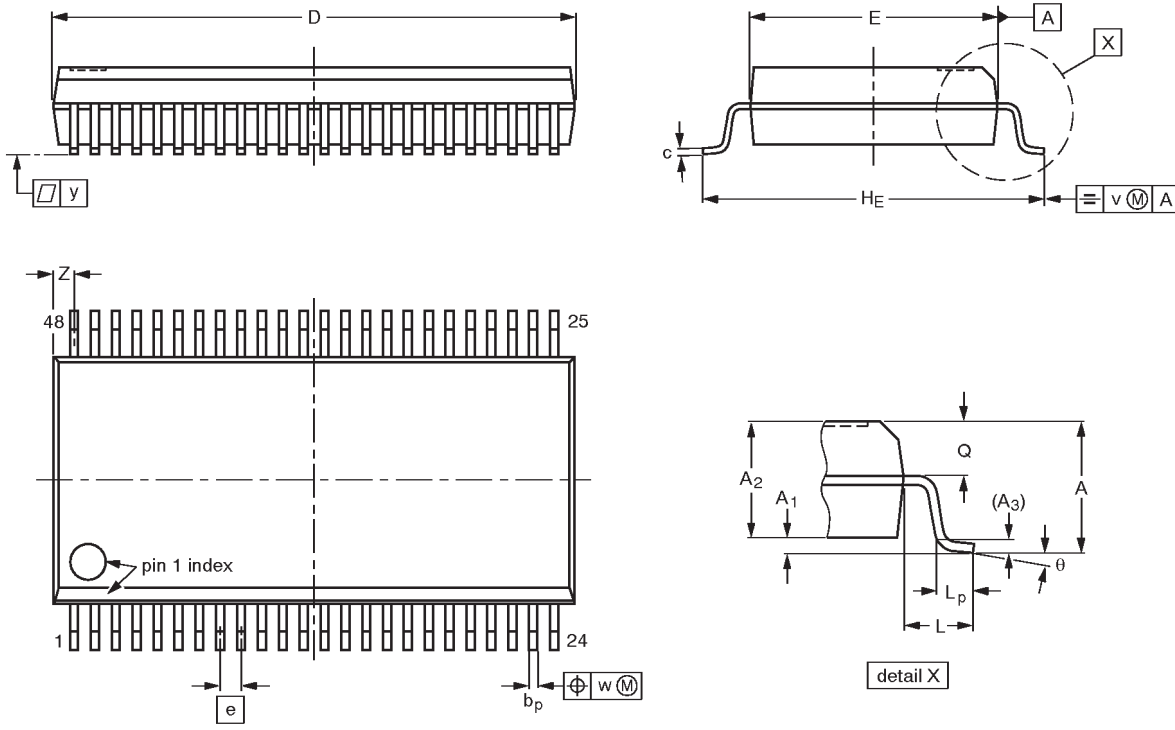
SA00018

16-bit buffer/line driver with 30Ω series termination resistors (3-State)

74ABT162244
74ABTH162244

SSOP48: plastic shrink small outline package; 48 leads; body width 7.5 mm

SOT370-1



DIMENSIONS (mm are the original dimensions)

UNIT	A max.	A ₁	A ₂	A ₃	b _p	c	D ⁽¹⁾	E ⁽¹⁾	e	H _E	L	L _p	Q	v	w	y	Z ⁽¹⁾	θ
mm	2.8	0.4 0.2	2.35 2.20	0.25	0.3 0.2	0.22 0.13	16.00 15.75	7.6 7.4	0.635	10.4 10.1	1.4	1.0 0.6	1.2 1.0	0.25	0.18	0.1	0.85 0.40	8° 0°

Note

1. Plastic or metal protrusions of 0.25 mm maximum per side are not included.

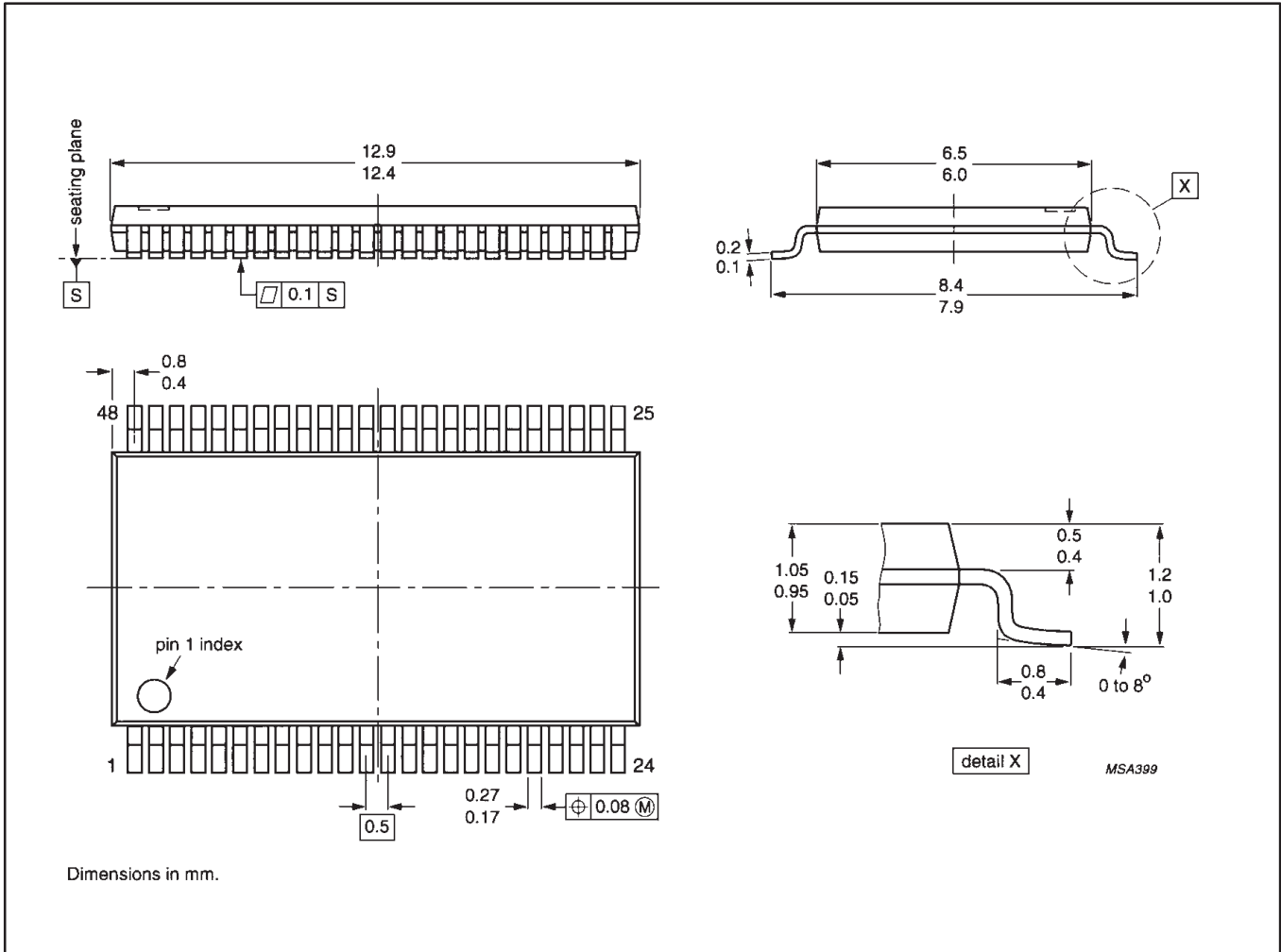
OUTLINE VERSION	REFERENCES				EUROPEAN PROJECTION	ISSUE DATE
	IEC	JEDEC	EIAJ			
SOT370-1		MO-118AA				-93-11-02- 95-02-04

16-bit buffer/line driver with 30Ω series termination resistors (3-State)

74ABT162244
74ABTH162244

TSSOP48: plastic thin shrink small outline package; 48 leads; body width 6.1mm

SOT362-1



16-bit buffer/line driver with 30Ω series termination resistors (3-State)

74ABT162244
74ABTH162244

Data sheet status

Data sheet status	Product status	Definition [1]
Objective specification	Development	This data sheet contains the design target or goal specifications for product development. Specification may change in any manner without notice.
Preliminary specification	Qualification	This data sheet contains preliminary data, and supplementary data will be published at a later date. Philips Semiconductors reserves the right to make changes at any time without notice in order to improve design and supply the best possible product.
Product specification	Production	This data sheet contains final specifications. Philips Semiconductors reserves the right to make changes at any time without notice in order to improve design and supply the best possible product.

[1] Please consult the most recently issued datasheet before initiating or completing a design.

Definitions

Short-form specification — The data in a short-form specification is extracted from a full data sheet with the same type number and title. For detailed information see the relevant data sheet or data handbook.

Limiting values definition — Limiting values given are in accordance with the Absolute Maximum Rating System (IEC 134). Stress above one or more of the limiting values may cause permanent damage to the device. These are stress ratings only and operation of the device at these or at any other conditions above those given in the Characteristics sections of the specification is not implied. Exposure to limiting values for extended periods may affect device reliability.

Application information — Applications that are described herein for any of these products are for illustrative purposes only. Philips Semiconductors make no representation or warranty that such applications will be suitable for the specified use without further testing or modification.

Disclaimers

Life support — These products are not designed for use in life support appliances, devices or systems where malfunction of these products can reasonably be expected to result in personal injury. Philips Semiconductors customers using or selling these products for use in such applications do so at their own risk and agree to fully indemnify Philips Semiconductors for any damages resulting from such application.

Right to make changes — Philips Semiconductors reserves the right to make changes, without notice, in the products, including circuits, standard cells, and/or software, described or contained herein in order to improve design and/or performance. Philips Semiconductors assumes no responsibility or liability for the use of any of these products, conveys no license or title under any patent, copyright, or mask work right to these products, and makes no representations or warranties that these products are free from patent, copyright, or mask work right infringement, unless otherwise specified.

Philips Semiconductors
811 East Arques Avenue
P.O. Box 3409
Sunnyvale, California 94088-3409
Telephone 800-234-7381

© Copyright Philips Electronics North America Corporation 1998
All rights reserved. Printed in U.S.A.

print code

Date of release: 05-96

Document order number:

9397-750-04708

Let's make things better.

Philips Semiconductors Home

Product catalog Buy online MySe Conta

Product Information

74ABT162244/74ABTH162244; 16-bit buffer/line driver with 30 Ohm series termination resistors (3-State)

Information as of 2003-04-22

My.Semiconductors.COM.
Your personal service from
Philips Semiconductors.
Please register now !

Use right mouse button to
download datasheet

Download datasheet

Stay informed

[Products](#)

[MultiMarket](#)

[Semiconductors](#)

[Product Selector](#)

[Catalog by](#)

[Function](#)

[Catalog by](#)

[System](#)

[Cross-reference](#)

[Packages](#)

[End of Life](#)

[information](#)

[Distributors Go](#)

[Here!](#)

[Models](#)

[SoC solutions](#)

General description	Features	Applications	Datasheet
Block diagram	Buy online	Support & tools	Email/translate
Products & packages	Parametrics	Similar products	

General description

The 74ABT162244 high-performance BiCMOS device combines low static and dynamic power dissipation with high speed.

The 74ABT162244 device is a 16-bit buffer that is ideal for driving bus lines. The device features four Output Enables (1OE2OE3OE4OE), each controlling four of the 3-State outputs.

The 74ABT162244 is designed with 30 Ohm series resistance in both the upper and lower output structures. This design reduces line noise in applications such as memory address drivers, clock drivers and bus receivers/transmitters.

The 74ABT162244 is the same as the 74ABT16244-1. The part number has been changed to reflect industry standards.

Two options are available, 74ABT162244 which does not have the bus hold feature and the 74ABTH162244 which incorporates the bus hold feature.

▣ Features

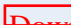
- 16-bit bus interface
- Multiple V_{CC} and GND pins minimize switching noise
- Power-up 3-State
- 3-State buffers
- Output capability: +12 mA/-32mA
- Live insertion/extraction permitted
- Latch-up protection exceeds 500mA per JEDEC Std 17
- ESD protection exceeds 2000 V per MIL STD 883 Method 3015 and 200 V per Machine Model
- Same part as 74ABT162244-1
- 74ABTH162244 incorporates bus hold data inputs which eliminate the need for external pull-up resistors to hold unused inputs
- Bus-hold data inputs eliminate the need for external pull-up resistors to hold unused inputs

▣ Applications

 [AN203_2: Test Fixtures for High Speed Logic](#) (date 02-Apr-98)

 [AN2301: Simulation Support for Philips' Advanced BiCMOS Products](#)

▣ Datasheet

<u>Type number</u>	<u>Title</u>	<u>Publication release date</u>	<u>Datasheet status</u>	<u>Page count</u>	<u>File size (kB)</u>	<u>Datasheet</u>
74ABT162244/74ABTH162244	16-bit buffer/line driver with 30 Ohm series termination resistors (3-State)	10/22/1998	Product specification	10	87	 Download

▣ Parametrics


Type number	Package	Description	Propagation Delay(ns)	Voltage	No. of Pins	Power Dissipation Considerations	Logic Switching Levels	Output Drive Capability
74ABT162244DGG	SOT362-1 (TSSOP48)	16-Bit Buffer/Line Driver; Non-Inverting with 30 Ohm Termination Resistors (3-State)	4~6	5 Volts +	48	None	TTL	Low
74ABT162244DL	SOT370-1 (SSOP48)	16-Bit Buffer/Line Driver; Non-Inverting with 30 Ohm Termination Resistors (3-State)	4~6	5 Volts +	48	None	TTL	Low
74ABTH162244DGG	SOT362-1 (TSSOP48)	16-Bit Buffer/Line Driver; Non-Inverting with Bus Hold and 30 Ohm Termination Resistors (3-State)	4~6	5 Volts +	48	None	TTL	Low
74ABTH162244DL	SOT370-1 (SSOP48)	16-Bit Buffer/Line Driver; Non-Inverting with Bus Hold and 30 Ohm Termination Resistors (3-State)	4~6	5 Volts +	48	None	TTL	Low

□ Products, packages, availability and ordering

<u>Type number</u>	<u>North American type number</u>	<u>Ordering code (12NC)</u>	<u>Marking/Packing</u> View IC packing info	<u>Package</u>	<u>Device status</u>	<u>Buy online</u>
74ABT162244DGG	74ABT162244DG	9352 038 20112	Standard Marking * Tube	SOT362-1 (TSSOP48)	Full production	order this <input type="checkbox"/>
	74ABT162244DG-T	9352 038 20118	Standard Marking * Reel Pack, SMD, 13"	SOT362-1 (TSSOP48)	Full production	order this <input type="checkbox"/>
74ABT162244DL	74ABT162244DL	9352 038 10112	Standard Marking * Tube	SOT370-1 (SSOP48)	Full production	order this <input type="checkbox"/>
	74ABT162244DL-T	9352 038 10118	Standard Marking * Reel Pack, SMD, 13"	SOT370-1 (SSOP48)	Full production	order this <input type="checkbox"/>
74ABTH162244DGG	74ABTH162244DG	9352 288 70112	Standard Marking * Tube	SOT362-1 (TSSOP48)	Full production	order this <input type="checkbox"/>
	74ABTH162244DG-T	9352 288 70118	Standard Marking * Reel Pack, SMD, 13"	SOT362-1 (TSSOP48)	Full production	order this <input type="checkbox"/>
74ABTH162244DL	74ABTH162244DL	9352 288 80112	Standard Marking * Tube	SOT370-1 (SSOP48)	Full production	order this <input type="checkbox"/>
	74ABTH162244DL-T	9352 288 80118	Standard Marking * Reel Pack, SMD, 13"	SOT370-1 (SSOP48)	Full production	order this <input type="checkbox"/>

Products in the above table are all in production. Some variants are discontinued; [click here](#) for information on these variants.

▣ Similar products

 [74ABT162244/74ABTH162244](#) links to the similar products page containing an overview of products that are similar in function or related to the type number(s) as listed on this page. The similar products page includes products from the same catalog tree(s), relevant selection guides and products from the same functional category.

▣ Support & tools

 [Introduction to Advanced BiCMOS Logic Products](#)(date 01-Mar-98)

 [Family specifications ABT/H16, family characteristics](#)(date 01-Mar-98)

 [Advanced BiCMOS features](#)(date 01-Jan-98)

 [Family specifications MULTIBYTE\(TM\), family characteristics](#)(date 01-Mar-98)

▣ Email/translate this product information

- [Email this product information.](#)
- Translate this product information page from English to:

The English language is the official language used at the semiconductors.philips.com website and webpages. All translations on this website are created through the use of [Google Language Tools](#) and are provided for convenience purposes only. No rights can be derived from any translation on this website.

[About this Web Site](#)

| Copyright © 2003 Koninklijke Philips N.V. All rights reserved. | [Privacy Policy](#) |

| Koninklijke Philips N.V. | Access to and use of this Web Site is subject to the following [Terms of Use](#). |