

F100350

Low Power Hex D-Latch

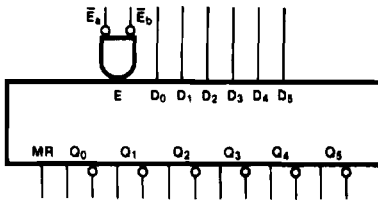
General Description

The F100350 contains six D-type latches with true and complement outputs, a pair of common Enables (\bar{E}_a and \bar{E}_b), and a common Master Reset (MR). A Q output follows its D input when both \bar{E}_a and \bar{E}_b are LOW. When either \bar{E}_a or \bar{E}_b (or both) are HIGH, a latch stores the last valid data present on its D input before \bar{E}_a or \bar{E}_b went HIGH. The MR input overrides all other inputs and makes the Q outputs LOW. All inputs have 50 k Ω pull-down resistors.

Features

- 20% power reduction of the F100150
- 2000V ESD protection
- Pin/function compatible with F100150
- Voltage compensated operating range = -4.2V to -5.7V

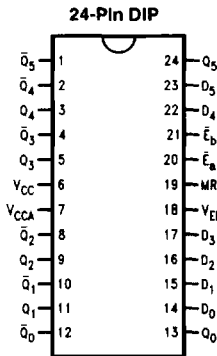
Logic Symbol



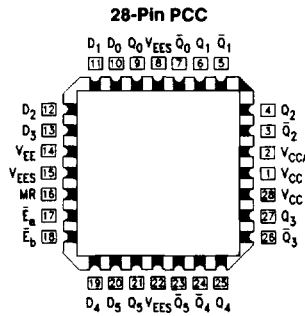
TL/F/9884-10

Pin Names	Description
D_0 – D_5	Data Inputs
\bar{E}_a , \bar{E}_b	Common Enable Inputs (Active LOW)
MR	Asynchronous Master Reset Input
Q_0 – Q_5	Data Outputs
\bar{Q}_0 – \bar{Q}_5	Complementary Data Outputs

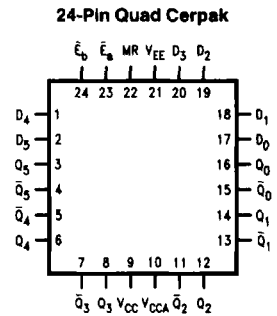
Connection Diagrams



TL/F/9884-1



TL/F/9884-3



TL/F/9884-2