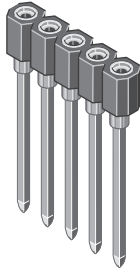


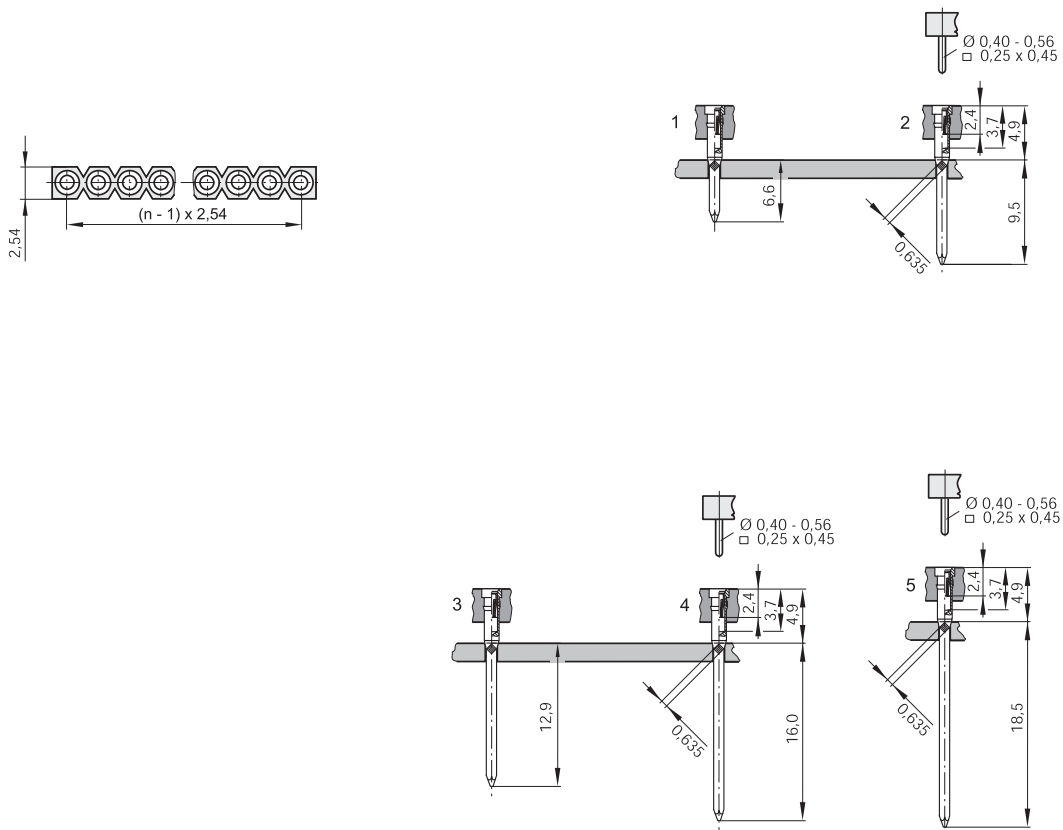
**SIL SOCKETS „WIRE WRAP“**  
**ID: 031** MS Wire-Wrap

Series I25



**TECHNICAL DATA**

Pitch	2,54 mm
Insulating Material	high temp. thermoplast UL94V-0
Contact Material	Brass/BeCu
Rated Current	3 Amp.
Rated Voltage	100 V <sub>RMS</sub> /150 V <sub>DC</sub>
Breakdown Voltage	min. 1000 V <sub>RMS</sub>
Operating Temperature	-55°C bis +125°C
Maximum Soldering Temperature	260°C for 10 seconds



All dimensions in mm.  
 Other dimensions upon request.

- MS    XX    X    XX    U
- Poles: 1 - 64
- X: please fill in pin-no.
- XX: TG = sleeve: Sn / clip: Au  
 GG = sleeve: Au / clip: Au
- U: RoHS-compliant with high temp. plastic