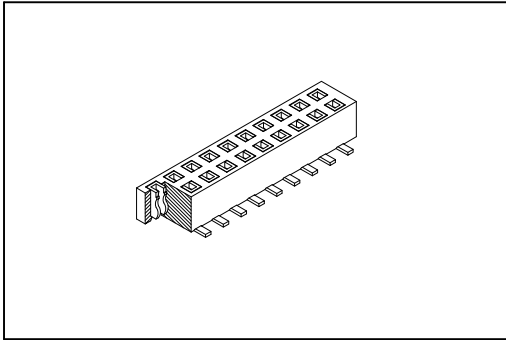


# 2248-A Series

P.C.B. Socket 1.27mmX1.27mm(0.050"X0.050")



## Material:

Housing: High Temperature Plastic UL94V-0.

Contacts: Copper Alloy.

## Electrical Characteristics:

Current Rating: 1 A.

Dielectric Withstanding Voltage: AC 500V.

Insulator Resistance: 1000MΩ min.

Contact Resistance: 20mΩ max.

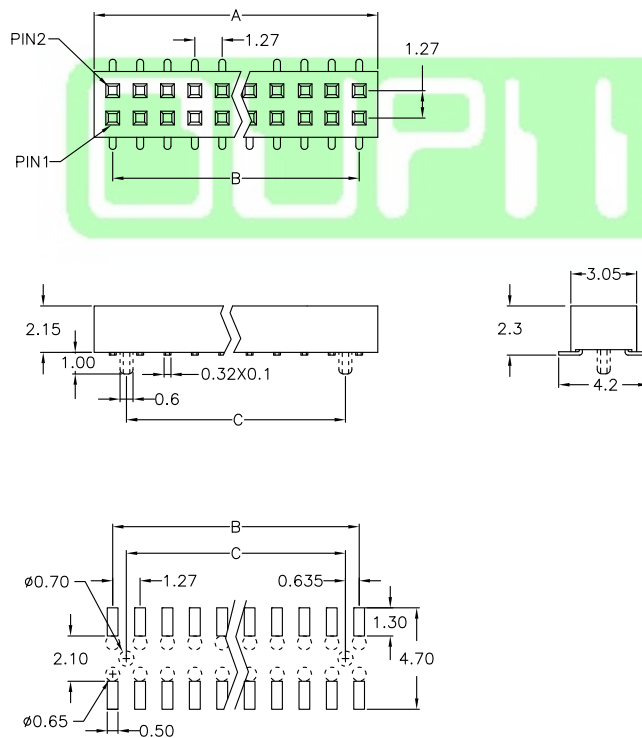
Operating Temperature: -40°C~+105°C.

## Features:

\* Low profile 2.20mm (0.086").

\* Mates with 0.4mm(0.015") square pin.

Mates with: 2215.



P.C. Board Layout

Position	6 Thru 80
Dimension	
A	1.27 X No. of Positions /2+0.46
B	1.27 X No. of Positions /2-1.27
C	1.27 X No. of Positions /2-2.54

## Ordering information

**2248-A** **2** **X** **40** **G** **00** **D** **P** **U** - **M**  
 Series Double No. of Pin G: Gold Plated 00: G/F D: SMD P: With Post U: Tube Package Blank: Without Pad  
 Row Per Row Type N: Without Post T: Tape & Reel Package M: Metal Pad