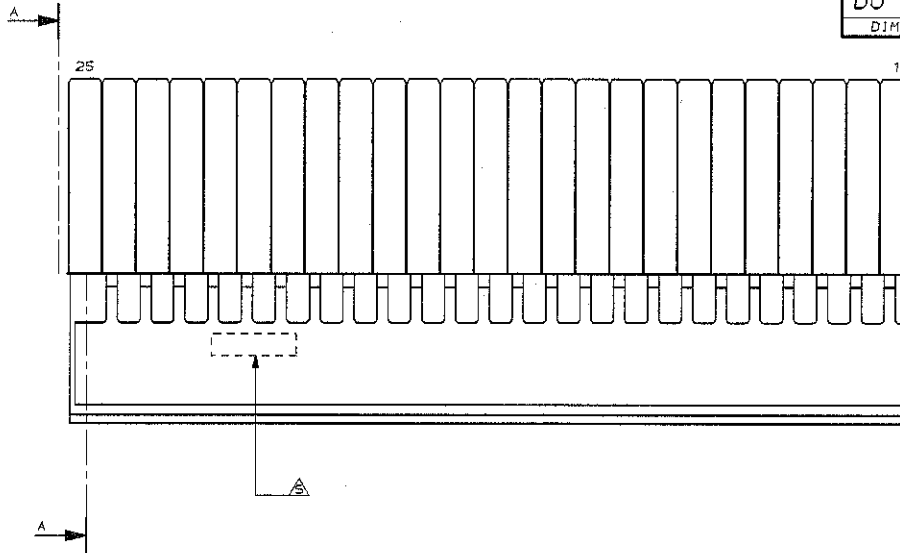
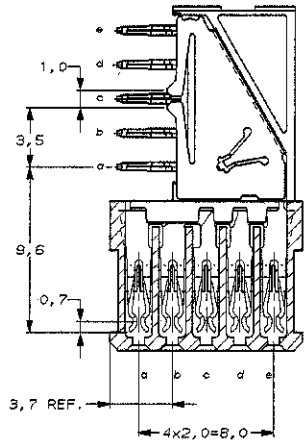


DO NOT SCALE
DIMENSIONS IN mm

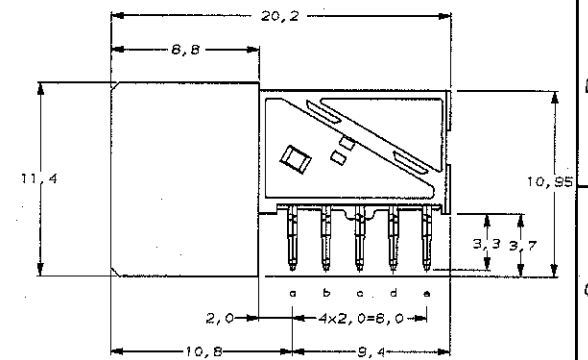
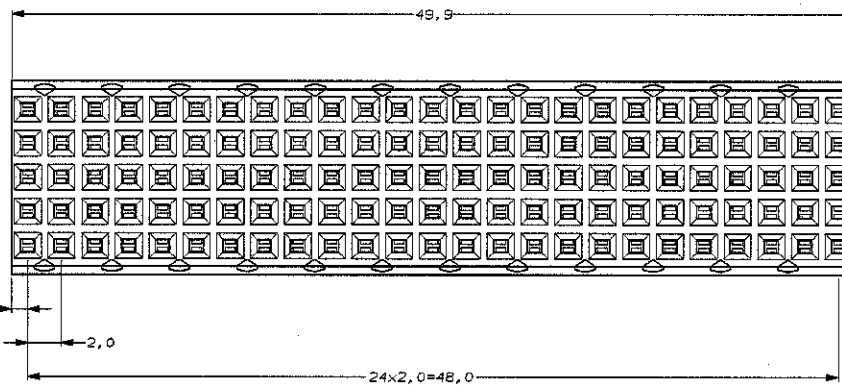
METRIC

THIRD ANGLE
PROJECTION

SECTION A-A



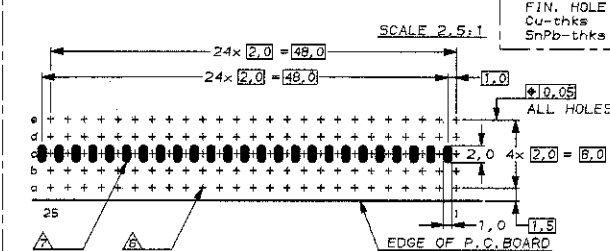
THIS DRAWING IS
PRELIMINARY



NOTES:

- △ PLATING CONTACT AREA, 0,8µm Au MIN. OVER 1,3µm Ni MIN
ACTION PIN, 0,5µm SnPb MIN. OVER 1,3µm Ni MIN
REDUCED CROSS-TALK SHIELD, 0,5µm SnPb MIN.
- △ PLATING CONTACT AREA, 2,0µm Au MIN. OVER 1,3µm Ni MIN
ACTION PIN, 0,5µm SnPb MIN. OVER 1,3µm Ni MIN
REDUCED CROSS-TALK SHIELD, 0,5µm SnPb MIN.
- △ PLATING CONTACT AREA, 1,3µm Au MIN. OVER 1,3µm Ni MIN
ACTION PIN, 0,5µm SnPb MIN. OVER 1,3µm Ni MIN
REDUCED CROSS-TALK SHIELD, 0,5µm SnPb MIN.
- △ MATERIAL:
CONTACT, PHOSPHORBRONZE
REDUCED CROSS-TALK SHIELD, PHOSPHORBRONZE
HOUSING, GLASSFILLED POLYESTER (GRAY)
- △ CONNECTOR PRINTED WITH PARTNUMBER AND DATECODE
- △ PLATED-THROUGH HOLES AT 2x2mm SQUARE GRID
TOTAL 125 HOLES.
- △ PLATED SPOT ONLY ON COMPONENT SIDE, FORMING ONE CONTACT
WITH PLATED THROUGH HOLES OF ROW C
- 9 FITS ONLY WITH INTEGRATED GROUND RETURN
UPPERSHIELD 338107-2 AND LOWERSHIELD 338108-2.

RECOMMENDED P.C.B. HOLE LAY-OUT
COMPONENT SIDE AS SHOWN



P.C.B. HOLE DIM. ACTION PIN

DRILLED HOLE	±0,7	±0,025 mm
FIN. HOLE	±0,55	TO 0,65 mm
Cu-thks	±0,025	TO 0,050 mm
SnPb-thks	±0,004	TO 0,010 mm

FINISH	MATERIAL	PARTNUMBER
△	△	100624-4
△	△	100624-3
△	△	100624-1

CUSTOMER DRAWING		FOR REFERENCE ONLY WILL NOT BE UPDATED	
©	COPYRIGHT 19-	BY	AMP-HOLLAND B.V.
ALL INTERNATIONAL RIGHTS RESERVED. AMP PRODUCTS MAY BE COVERED BY U.S. AND FOREIGN PATENTS PENDING.			
THIS DRAWING IS UNPUBLISHED			
RELEASED FOR PUBLICATION			
AMP		AMP-HOLLAND B.V. s-Hertogenbosch, The Netherlands.	
NAME	Z-PACK 2mm H.M. TYPE B 125 POS. FEMALE CONNECTOR WITH REDUCED CROSS-TALK SHIELD		
LTR.	REVISION RECORD	DR.	CHK.
DR.: E. NOLMAN	CHK.: M. V. B. B. B.	APP.: B. NOLAN	DWG. NO. C-100624
DATE: 11-FEB-87	DATE: 11-FEB-87	DATE: 26-2-87	REV. LTR. SHEET 6 1 OF 1 A2