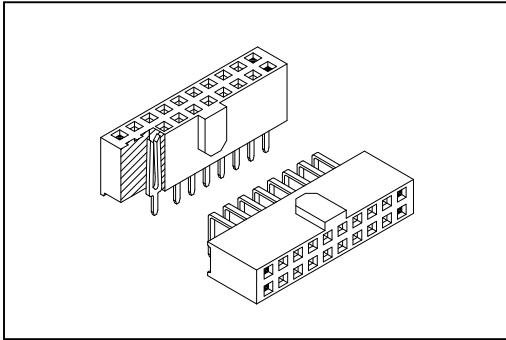


# 2046 Series

P.C.B. Socket 2.54mmX2.54mm(0.100"X0.100")



## Material:

Housing: Thermoplastic Polyester Glass Filled UL94V-0.

Contacts: Copper Alloy.

## Electrical Characteristics:

Current Rating: 2 A.

Dielectric Withstanding Voltage: AC 1000V.

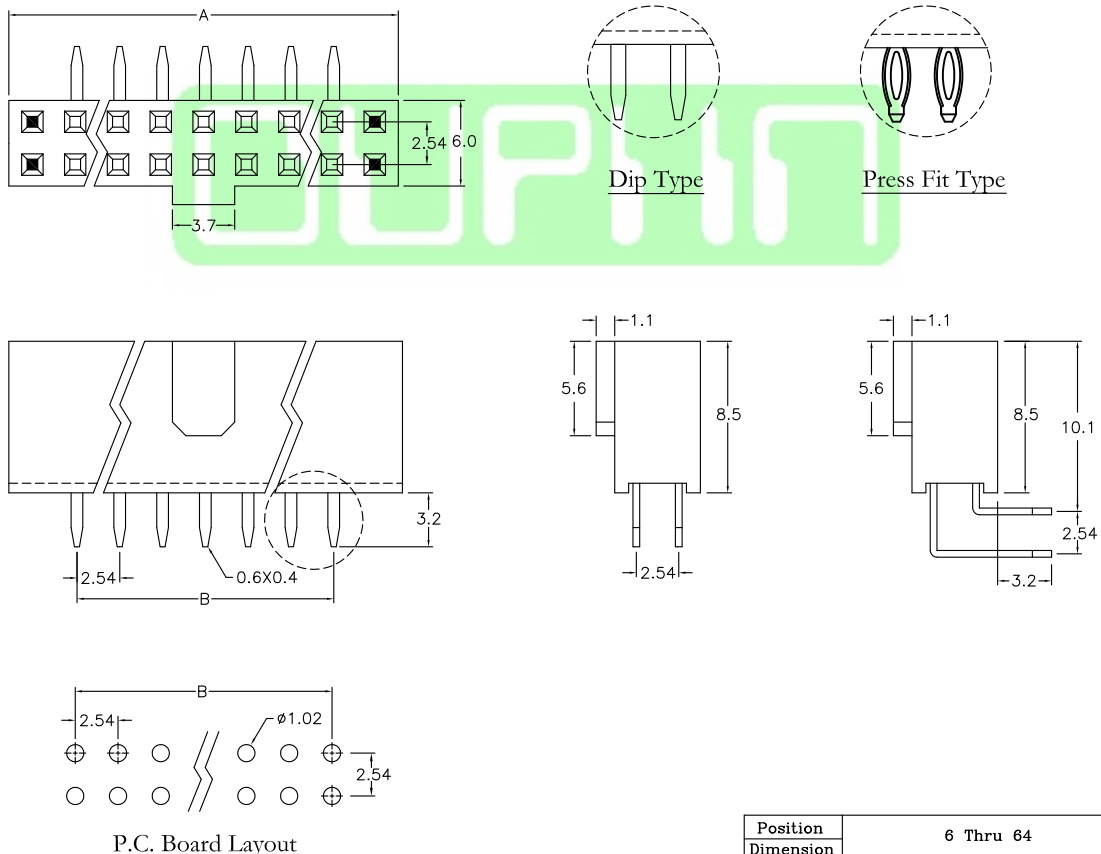
Insulator Resistance: 1000MΩ min.

Contact Resistance: 20mΩ max.

Operating Temperature: -55°C~+105°C.

## Features:

- \* Available in Straight, Right Angle & Press Fit.
  - \* High profile 8.50mm (0.335").
  - \* Polarizing bump.
  - \* Tuning fork contacts offer lower cost for competitive market.
  - \* Additional plating options available.
- Mates with: 2011,2012,3012,3016.



Position Dimension	6 Thru 64
A	2.54 X (No. of Positions +4)/2
B	2.54 X (No. of Positions)/2 -2.54

## Ordering information

**2046-** Series   
**64** No. of Contacts   
**G** G: Gold Plated   
**00** 00: G/F   
**S** S: Straight   
**P** Blank: Dip Type   
**A** A: Tray Package  
 R: Right Angle   
 P: Press Fit Type   
 B: Bulk Package