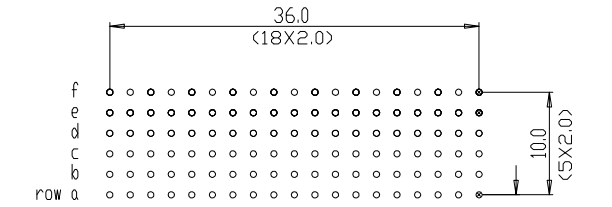
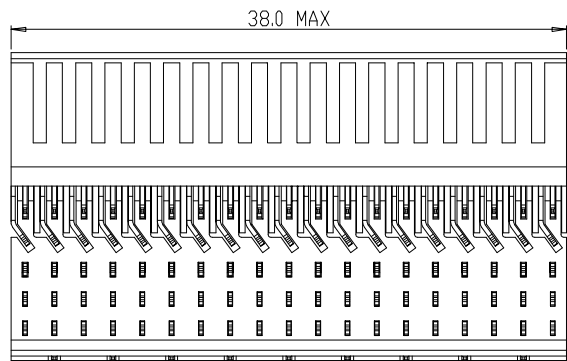
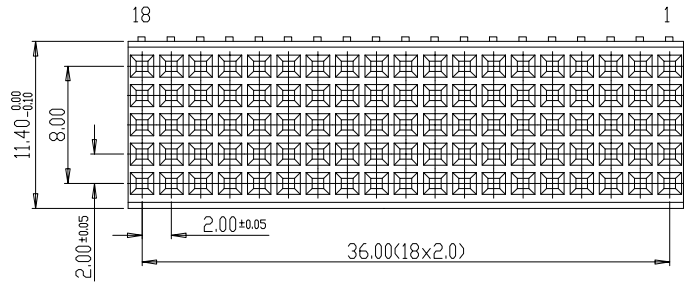


Tous droits strictement réservés. Reproduction ou communication à des tiers interdite sous quelque forme que ce soit sans autorisation écrite du propriétaire. Propriété de c FCI. Droits de reproduction FCI.

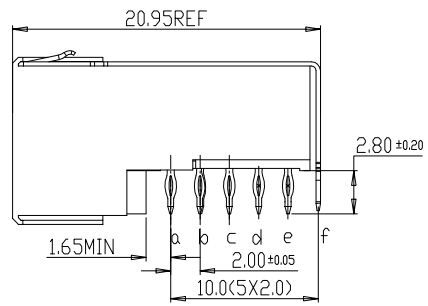


All rights strictly reserved. Reproduction or issue to third parties in any form whatever is not permitted without written authority from the proprietor. Property of FCI. Copyright FCI.



LAY-OUT  
P.C.B. - HOLE

EDGE OF P.C.BOARD



RATED VOLTAGE: 500 V AC (CONT / CONT)  
 OPERATING TEMPERATURE : -55°C TO 125°C  
 CONTACT RESISTANCE : 20 mΩ MAX  
 INSERTION FORCE: 0.75N MAX/CONT  
 EXTRACTION FORCE : 0.15N MIN /CONT  
 INSULATION RESISTANCE: 10 MΩ MIN

NOTES

- LEAD FREE INDICATOR : LF=LEAD FREE
- PERFORMANCE LEVEL INDICATOR (REF DWG NO. BSC ,201844.003)
- THIS PRODUCT IS CSA APPROVED. THIS PRODUCT IS UL RECOGNIZED.
- FOR RECOMMENDED PTH DIMENSIONS REFER DRAWING :BS.A.201572.001
- THIS PRODUCT (LF) MEETS EUROPEAN UNION DIRECTIVES AND OTHER COUNTRY REGULATIONS AS DESCRIBED IN GS-22-008

rev	ecn no	dr	date
A	104-0071	ALEX	30-08-04
B	DG05-0514	Kason	11-30-05
-	-	-	-
-	-	-	-
-	-	-	-

Material		Spec ref		
Mat code		tolerance 1DEC+0.1 1DEC 2DEC ± 0.05 2DEC ANGLES±0°30'HOEKEN	projection	MM
Heattreat			size	
Plating/Finish			A4	1.5
Dr	ALEX B	30-08-04	Product family MILLIPICS	
Eng			Model Name	
Chr			ECN	
Appr			Model Revision	
			REL Level	
title RIGHT ANGLE RECEPTACLE CONNECTOR/TYPE B		dwg no	BS,C ,201444,062	
Pro/E file	catalog no	HM2R71PE5108----	CUSTOMER	sheet 1 of 1